



tool-traders-partner.com

The tool specialists for the trade.



## Standard program clamping technology



[www.инженерныйконсалтинг.com](http://www.инженерныйконсалтинг.com)

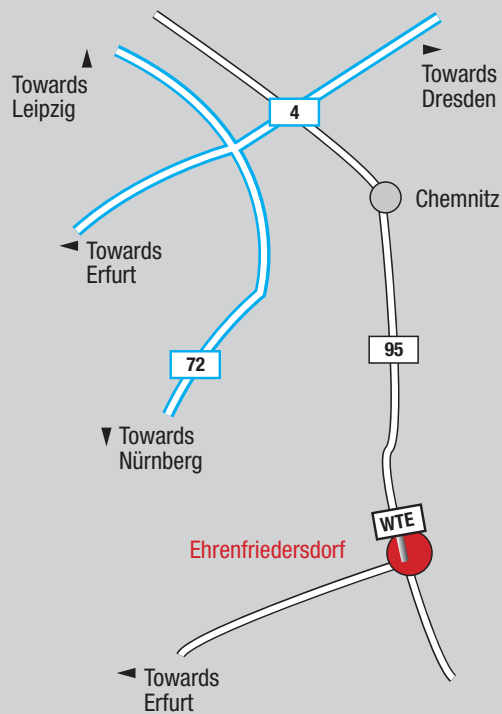




[tool-traders-partner.com](http://tool-traders-partner.com)

The tool specialists for the trade.

WTE Präzisionstechnik GmbH is a member of the „tool-traders-partner“ association and takes the advantages of this strong community to the benefit of its customers and the quality of its products. Further information can be found on the last page of this catalogue.



## High precision from the Erzgebirge with the courage to innovate

As an international active company, WTE Präzisionstechnik GmbH is a technologically orientated production plant, develops and produces with its own engineering and development department innovations for the clamping technology sector.

Core competencies are in precision drill chuck systems, in hydraulic chucks and in shrinking technology. With the precision drill chuck product range WTE has achieved market leadership in Europe. Further products in high-precision clamping technology will follow. Currently WTE can rely on almost 100 highly-qualified and dedica-

ted employees who enjoy continuous ongoing internal trainings in order to meet the high quality standards. Not only the ongoing development and innovations for solving production-specific problems, but also the steady strengthening of the German facilities are at the core of the WTE philosophy.

With the construction of a second production hall, WTE has laid the foundation stone for strengthening the production site in Germany and for creating a new chance in the region for allowing further jobs to develop over the course of the years.



Picture above: WTE Präzisionstechnik GmbH with its production facility in Ehrenfriedersdorf.  
Picture left: The new production hall will be completed by 2012.



## Strategically planned and precisely implemented in the tool!



The philosophy of WTE Präzisionstechnik GmbH is lived in its daily work.

We stand for innovation, precision, competence, service and are your partners for the future. That means in detail that only products of the highest quality in the  $\mu$  range leave the production, that technical competence, training and on-site support are available to the customer.

WTE has been certified to the ISO 9001:2008 quality management standard since 2001. Customers of WTE Präzisionstechnik GmbH can rely on flexible and fast service potential. High flexibility and fast reactions to customers' wishes is the credo at WTE. The high process stability, the production site in Germany and 100% dependable employees form the basis for the corporate philosophy.

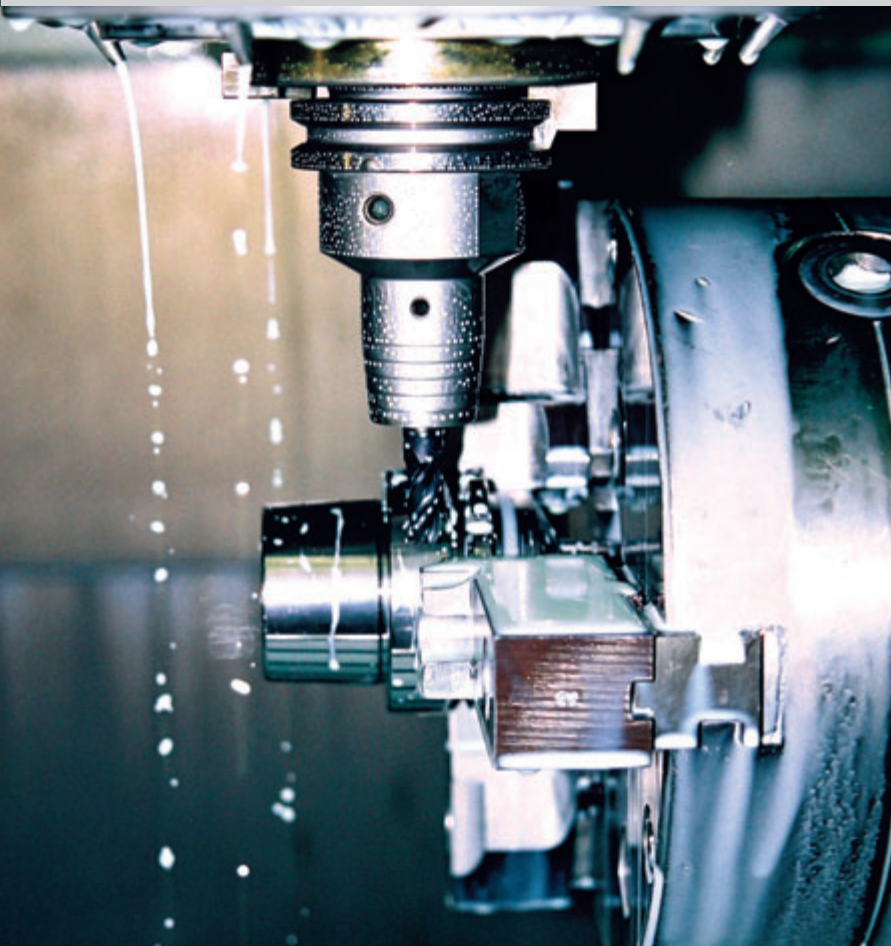




In our production facility in Ehrenfriedersdorf, Germany are only high-quality machining centres in operation.

Therefore grinding is one of the largest field of know-how at our company.

Additionally quality control is one of the most important production principles at WTE for generating long-term customer satisfaction on the market.



 **WTE**  
PRÄZISIONSTECHNIK

Our product-portfolio offers high-precision solutions for many different requests.

- Machining centres
- CNC lathes
- HSC machining (35.000 min<sup>-1</sup>)
- Drilling
- Countersinking
- Reaming
- Thread cutting
- Thread drilling
- Tread milling
- Roughing
- Milling
- Heavy machining
- HSC
- Hard machining
- Wood working

**Our services: competent customer service,  
simple ordering, reliable delivery**



**Technical support and competence**

The steadily growing range of highquality product solutions requires optimum technical support. Our employees are your competent contacts ready to provide advice and ongoing project-accompanying support – and that worldwide!

**Customized training**

The training seminars we offer are tailored specifically to your personal needs. Here your staff learn everything they need to know for the correct usage, care and maintenance of the products – exactly where they need this information: In your company!







**Repair service**

In the event of a collision or operator error during day-to-day use, we are able to offer a repair service within 24 hours for our tools.

**Stockholding and logistics**

Our customers requires fast availability and reliable delivery; that is why we have adapted and optimised our stockholding and logistics to meet these demands.





# WTE clamping technologies - The basis for safe machining and high



## Hydraulic chucks

Available shank types:  
ISO, HSK-A, HSK-C, HSK-E, HSK-F, BT

Maximum rpm:  
Up to 40.000 min<sup>-1</sup>

Spare parts and accessories:  
Reducing sleeves, shrink extensions, hydro chuck extensions, set screws, clamping screws, coolant tubes, different wrenches for adjustment.

Page 16



## HPH - High Performance Holder

Available shank types:  
ISO, HSK-A, HSK-C, HSK-E, HSK-F, BT

Maximum rpm:  
Up to 40.000 min<sup>-1</sup>

Spare parts and accessories:  
Reducing sleeves, shrink extensions, hydro chuck extensions, set screws, clamping screws, coolant tubes, different wrenches for adjustment.

Page 62



## Shrink fit chucks

Available shank types:  
ISO, HSK-A, HSK-C, HSK-E, HSK-F, BT

Maximum rpm:  
Up to 40.000 min<sup>-1</sup>

Spare parts and accessories:  
Shrink extensions, coolant tubes, different wrenches for adjustment.

Page 84



# quality in the metal and wood industries!



## CNC universal drill chucks

Available shank types:  
ISO, HSK-A, HSK-E, B12, BT, Wohlhaupter,  
1835 B, VDI, MORI-SEIKI, ABS Komet, MK,  
MAZAK, UTS Widia, PSC, Deckel, Chiron

Maximum rpm:  
Up to 35.000 min<sup>-1</sup>

Spare parts and accessories:  
All parts of the chucks can be ordered se-  
parately as well as coolant tubes, different  
wrenches for adjustment.

Page 146



## NC standard drill chucks

Available shank types:  
ISO, BT

Maximum rpm:  
Up to 7.000 min<sup>-1</sup>

Spare parts and accessories:  
All parts of the chucks can be ordered se-  
parately as well as coolant tubes, different  
wrenches for adjustment.

Page 200



## Precision micro drill chucks

Available shank types:  
ISO, HSK-A, HSK-E, BT

Maximum rpm:  
Up to 60.000 min<sup>-1</sup>

Spare parts and accessories:  
Individual parts and spare parts for this drill  
chuck series are currently not planned.

Page 208



## Our product lines: Precise, innovative and future-oriented

### Hydraulic chucks

High accuracy in cyclic running and excellent vibration damping are the main characteristics of our hydraulic chucks. We guarantee highly improved surface quality on the workpiece and a reduced microstructure cracking on the tool cutting edge and optimized production processes in your workflow.

WTE hydraulic chucks are available with axial or radial length adjustment and we produce the most customary shank types as standards. Operating with our reducing sleeves or our hydraulic chuck extensions makes this clamping tool highly flexible as well.

For more information about this product line, please go to page 16



### HPH - High Performance Holder

Our HPH - High Performance Holders represent a highly advanced part of our hydraulic chuck program. Super strong holding forces combined with excellent vibration damping and high radial stiffness make this clamping tool program an upper class program and guarantee highly improved surface qualities on the workpiece in the practical use.

Other outstanding characteristics are the solid construction, the sealed clamping system (no maintenance work due to soiling) and the positive economical effect due to reduced cutting times in your workflow.

For more information about this product line, please go to page 62



### Shrink fit chucks

WTE shrink fit chucks offer the possibility of clamping nearly all kinds of tools for almost every kind of machining. Precise fitting combined with highest holding forces, high torque transmission and outstanding results due to the radial stiffness are the quality characteristics of our shrink fit chucks. We guarantee high-dimensional accuracy at the workpiece, which means long-term radial run out accuracy and accuracy of repetition of  $< 0.0003$  mm in the location bore. Our shrink fit chucks are fine balanced as a standard. By using our shrink extensions nearly every kind of machining solution is possible.

For more information about this product line, please go to page 84





## CNC universal drill chucks

Our CNC universal drill chucks convince with the combination of impressive technologies, easy handling and innovative technical concepts.

In this context we turn our attention on parameters like safe clamping (independent of direction of rotation), short clamping and re-tooling times, very short designs and excellent spindle speed strength. Due to their modular design the drill chuck heads are suitable for all shank types.

**For more information about this product line, please go to page 146**



## NC standard drill chucks

As every WTE product does, our standard drill chucks are an impressive example for precision, high quality and extraordinary results. These are a few reasons from many others, why our customers are impressed and satisfied in their daily work with our solutions.

Since 1994 our NC standard drill chucks are signed with the EC conformity mark which stands for reliability and a very good quality-price-ratio.

**For more information about this product line, please go to page 200**



## Precision micro drill chucks

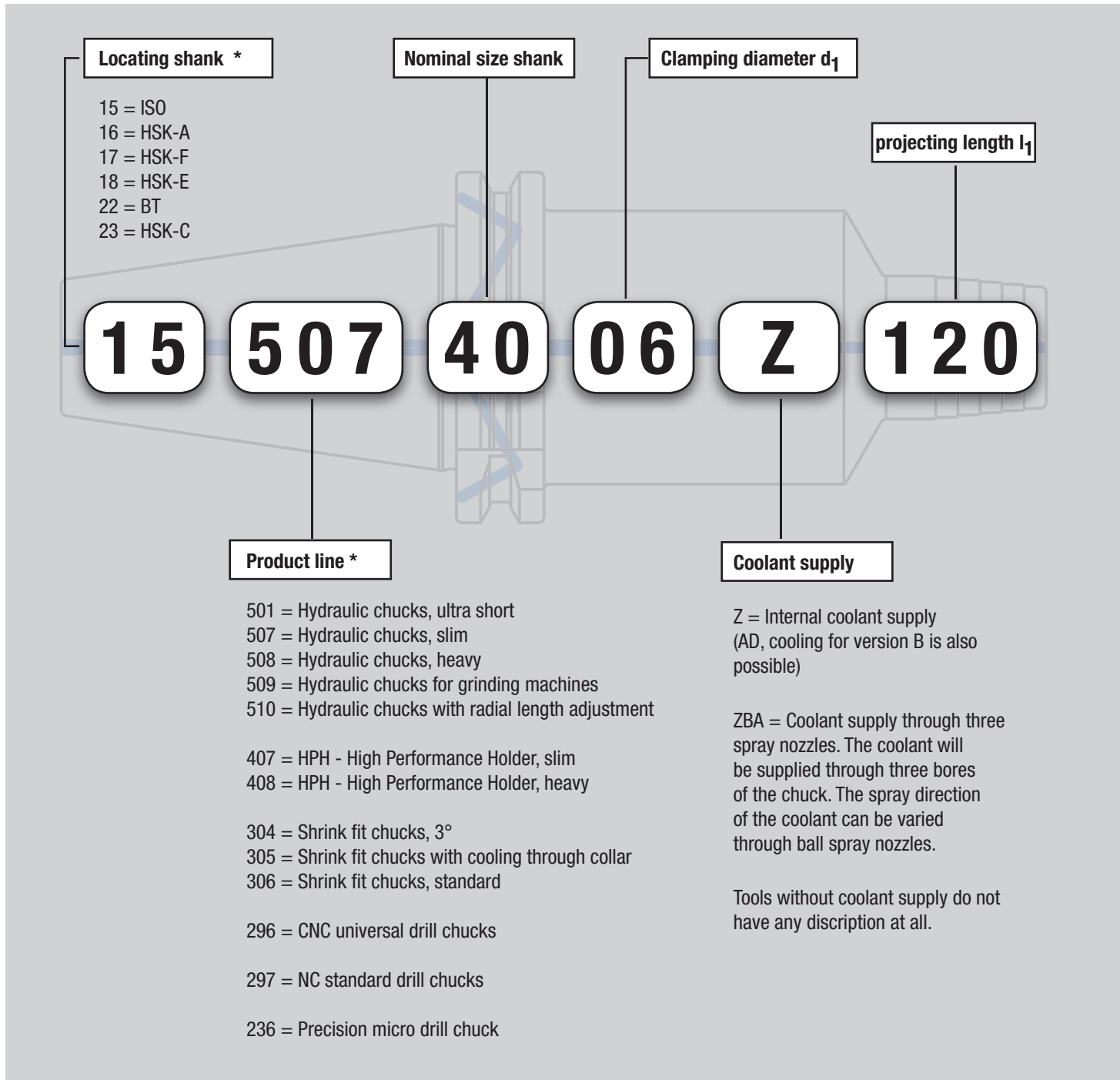
To meet the requirements of many up-coming industrial branches we decided to complete our drill chuck program with the worlds tiniest drill chuck family. These drill chucks are designed especially for its use in micro machining branches.

Our precision micro drill chucks cover a large clamping range from 0,2 up to 3,4 mm. This is the fundamental reason why small shanks can be clamped in a precise and safe way. We fulfill the criterias of a high speed process with a spindle speed up to 60.000 min<sup>-1</sup> and accuracies of repetition of < 0.001 mm in branches like medical technologies, clock and watch industries, micro machining and micro electronics.

**For more information about this product line, please go to page 208**



## Information about the meaning of the Reference No.



\* The described numbers for locating shanks and product lines stand for the standard group of objects. Special shanks or further descriptions within the product lines can differ from their origins.

# General information

## Explanation of the pictogrammes

### General information:

Dimensions in mm.

Special lengths or special designs of each of our products may be possible on request.

Symbol ○  
Products not on stock  
(delivery time on request).

Symbol ●  
Available ex stock Germany

Right of technical modifications reserved.

Pricing: Information about the prices of our products, you will get from a separate valid price list.

Unless otherwise confirmed by us, all relationships are based on our general terms and conditions.

### Pictogrammes:



Description of the technical standard



Internal coolant supply for ISO shanks



Internal coolant supply for ISO shanks or coolant supply via tool lap



Hollow shank taper, form A



Hollow shank taper, form C, for manual tool changing



Hollow shank taper, form E



Hollow shank taper, form F



Internal coolant supply



Without coolant supply



Accuracy of repetition with hollow shank tapers



Accuracy of repetition with ISO shanks



Shank tolerance

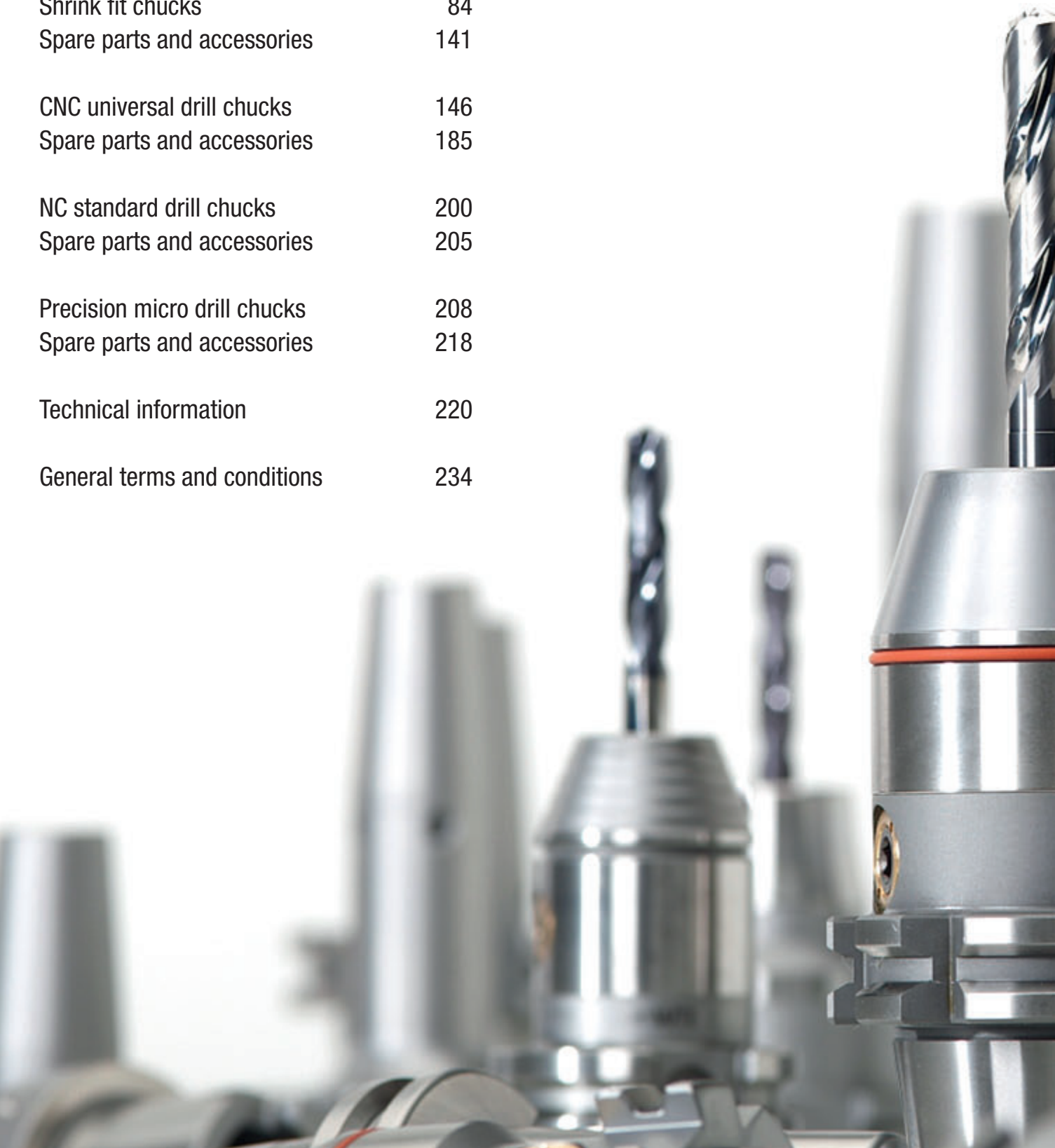


Balancing values



## Index

Hydraulic chucks	16
Spare parts and accessories	54
HPH - High Performance Holder	62
Spare parts and accessories	74
Shrink fit chucks	84
Spare parts and accessories	141
CNC universal drill chucks	146
Spare parts and accessories	185
NC standard drill chucks	200
Spare parts and accessories	205
Precision micro drill chucks	208
Spare parts and accessories	218
Technical information	220
General terms and conditions	234









## Hydraulic chuck

with radial or axial adjustment

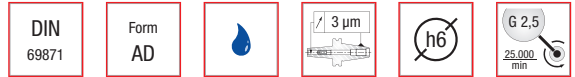
Shank type ISO 30	Page	18
Shank type ISO 40	Page	19-23
Shank type ISO 50	Page	24-27
Shank type HSK-A 32	Page	28
Shank type HSK-A 40	Page	29-30
Shank type HSK-A 50	Page	31-32
Shank type HSK-A 63	Page	33-37
Shank type HSK-A 100	Page	38-39
Shank type HSK-C 40	Page	40
Shank type HSK-C 50	Page	41
Shank type HSK-C 63	Page	42
Shank type HSK-E 40	Page	43
Shank type HSK-E 50	Page	44
Shank type HSK-F 63	Page	45
Shank type BT 30	Page	46
Shank type BT 40	Page	47-50
Shank type BT 50	Page	51-53
Spare parts and accessories	Page	54-61



# Hydraulic chuck

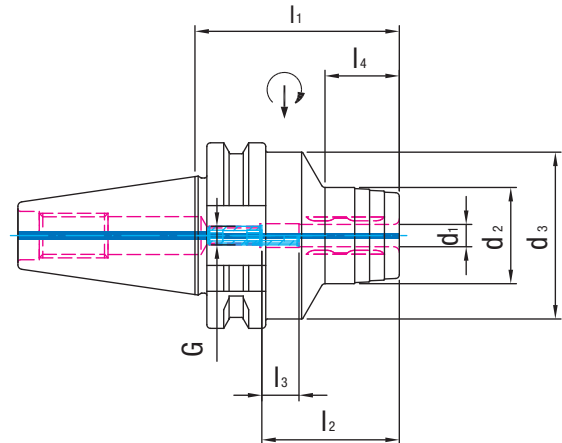
## DIN 69871-AD

Short and slim version



### Quality characteristics:

- High accuracy of cyclic running
- Vibration damping effect
- High radial stiffness
- Clamping without additional equipment
- Tool change in shortest time
- High degree of flexibility using reducing sleeves



Nominal size ISO	Dimensions							G	Weight kg	Ref. No.	SAP Ref. No.	On stock
	d <sub>1</sub>	d <sub>2</sub>	d <sub>3</sub>	l <sub>1</sub>	l <sub>2</sub>	l <sub>3</sub>	l <sub>4</sub>					
30	6	26	45	55	37	10	20,0	M5	0,6	15.507.30.06.Z	30336701	●
30	8	28	45	55	37	10	20,0	M6	0,6	15.507.30.08.Z	30336702	●
30	10	30	45	55	41	10	21,0	M8x1	0,6	15.507.30.10.Z	30336703	●
30	12	32	45	55	46	10	22,0	M8x1	0,6	15.507.30.12.Z	30336704	●
30	14	34	45	90	46	10	42,0	M8x1	0,7	15.507.30.14.Z	30336705	●
30	16	38	45	90	49	10	50,0	M8x1	0,7	15.507.30.16.Z	30336706	●
30	18	40	45	90	49	10	50,0	M8x1	0,7	15.507.30.18.Z	30336707	●
30	20	42	45	90	51	10	50,0	M8x1	0,7	15.507.30.20.Z	30336708	●

Dimensions in mm.

Coolant supply according to DIN 69871-AD

Spare parts and accessories at the end of this chapter.

MQL version on request.

Special versions on request.

○ Products not on stock (delivery time on request).

● Available ex stock Germany.

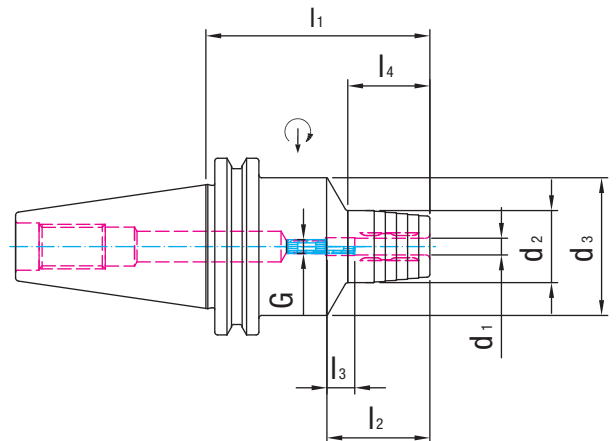
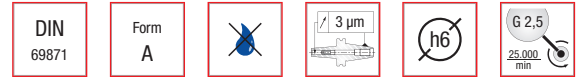
# Hydraulic chuck

## DIN 69871-A

For wood working, short and slim version

### Quality characteristics:

- High accuracy of cyclic running
- Vibration damping effect
- High radial stiffness
- Clamping without additional equipment
- Tool change in shortest time
- High degree of flexibility using reducing sleeves



Nominal size ISO	Dimensions							G	Weight kg	Ref. No.	SAP Ref. No.	On stock
	d <sub>1</sub>	d <sub>2</sub>	d <sub>3</sub>	l <sub>1</sub>	l <sub>2</sub>	l <sub>3</sub>	l <sub>4</sub>					
40	6	26	49,5	80	37	10	29	M5	1,8	14.507.40.06	30336691	○
40	8	28	49,5	80	37	10	30	M6	1,8	14.507.40.08	30336692	○
40	10	30	49,5	80	41	10	35	M6	1,8	14.507.40.10	30336693	○
40	12	32	49,5	80	46	10	40	M10	1,8	14.507.40.12	30336694	○
40	14	34	49,5	80	46	10	40	M10	1,8	14.507.40.14	30336695	○
40	16	38	49,5	80	49	10	45	M10	1,9	14.507.40.16	30336696	○
40	18	40	49,5	80	49	10	46	M10	1,8	14.507.40.18	30336697	○
40	20	42	49,5	80	51	10	47	M10	1,8	14.507.40.20	30336698	○
40	25	55	49,5	95	57	10	54	M10	2,3	14.507.40.25	30336699	○
40	32	63	49,5	95	61	10	48	M10	2,4	14.507.40.32	30336700	○

Dimensions in mm.

Spare parts and accessories at the end of this chapter.

MQL version on request.

Special versions on request.

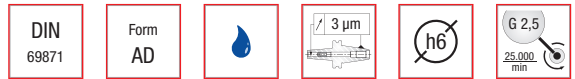
○ Products not on stock (delivery time on request).

● Available ex stock Germany.

# Hydraulic chuck

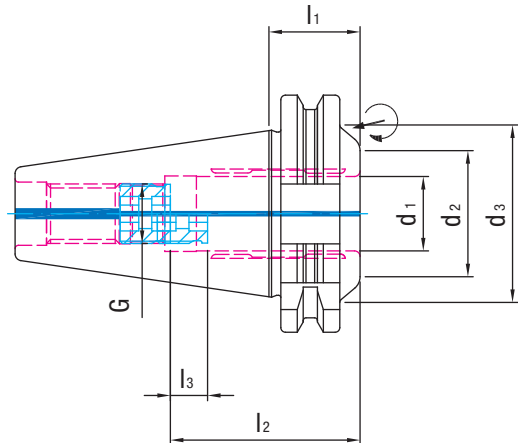
## DIN 69871-AD

Ultra short version



### Quality characteristics:

- High accuracy of cyclic running
- Vibration damping effect
- High radial stiffness
- Clamping without additional equipment
- Tool change in shortest time
- High degree of flexibility using reducing sleeves



Nominal size ISO	Dimensions					G	Weight kg	Ref. No.	SAP Ref. No.	On stock
	d <sub>1</sub>	d <sub>2</sub>	l <sub>1</sub>	l <sub>2</sub>	l <sub>3</sub>					
40	20	48	24,5	51	10	M16x1	0,6	15.501.40.20.Z	30349264	●

Dimensions in mm.

Coolant supply according to DIN 69871-AD

Spare parts and accessories at the end of this chapter.

MQL version on request.

Special versions on request.

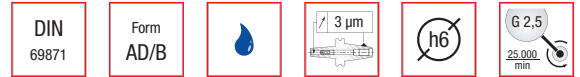
○ Products not on stock (delivery time on request).

● Available ex stock Germany.

# Hydraulic chuck

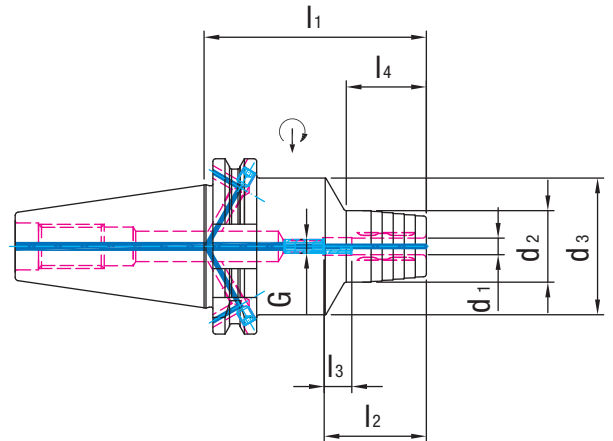
## DIN 69871-AD/B

Short and slim version



### Quality characteristics:

- High accuracy of cyclic running
- Vibration damping effect
- High radial stiffness
- Clamping without additional equipment
- Tool change in shortest time
- High degree of flexibility using reducing sleeves



Nominal size ISO	Dimensions							G	Weight kg	Ref. No.	SAP Ref. No.	On stock
	d <sub>1</sub>	d <sub>2</sub>	d <sub>3</sub>	l <sub>1</sub>	l <sub>2</sub>	l <sub>3</sub>	l <sub>4</sub>					
40	6	26	49,5	80,5	37	10	29,5	M5	1,3	15.507.40.06.Z	30336709	●
40	8	28	49,5	80,5	37	10	30,0	M6	1,3	15.507.40.08.Z	30336712	●
40	10	30	49,5	80,5	41	10	35,0	M8x1	1,3	15.507.40.10.Z	30336715	●
40	12	32	49,5	80,5	46	10	40,0	M10x1	1,3	15.507.40.12.Z	30336719	●
40	14	34	49,5	80,5	46	10	40,0	M10x1	1,3	15.507.40.14.Z	30336723	●
40	16	38	49,5	80,5	49	10	45,0	M12x1	1,4	15.507.40.16.Z	30336726	●
40	18	40	49,5	80,5	49	10	46,0	M12x1	1,3	15.507.40.18.Z	30336729	●
40	20	42	49,5	80,5	51	10	47,0	M16x1	1,3	15.507.40.20.Z	30336732	●
40	25	55	63	80,5	57	10	28,0	M16x1	1,6	15.507.40.25.Z	30336736	●
40	32	63	70	80,5	61	10	25,5	M16x1	1,7	15.507.40.32.Z	30336739	●

Dimensions in mm.

Basic form AD. Please indicate form AD or B in your order.

Spare parts and accessories at the end of this chapter.

MQL version on request.

Special versions on request.

○ Products not on stock (delivery time on request).

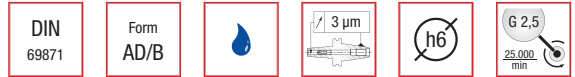
● Available ex stock Germany.



# Hydraulic chuck

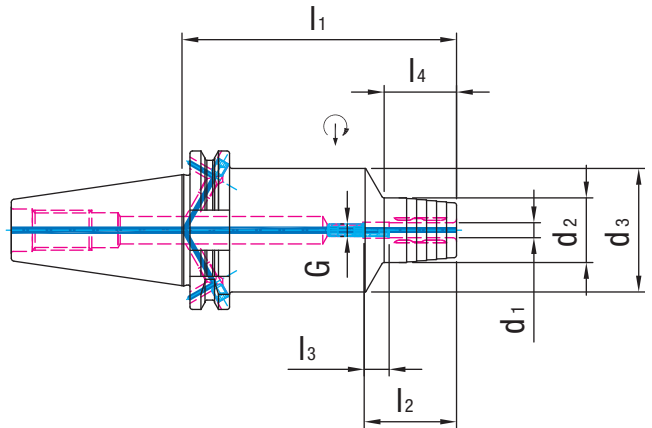
## DIN 69871-AD/B

Long and slim version



### Quality characteristics:

- High accuracy of cyclic running
- Vibration damping effect
- High radial stiffness
- Clamping without additional equipment
- Tool change in shortest time
- High degree of flexibility using reducing sleeves



Nominal size ISO	Dimensions							G	Weight kg	Ref. No.	SAP Ref. No.	On stock
	d <sub>1</sub>	d <sub>2</sub>	d <sub>3</sub>	l <sub>1</sub>	l <sub>2</sub>	l <sub>3</sub>	l <sub>4</sub>					
40	6	26	49,5	110	37	10	29	M5	1,7	15.507.40.06.Z/110	30336711	●
40	8	28	49,5	110	37	10	30	M6	1,8	15.507.40.08.Z/110	30336714	●
40	10	30	49,5	110	41	10	35	M8x1	1,8	15.507.40.10.Z/110	30336717	●
40	12	32	49,5	110	46	10	40	M10x1	1,8	15.507.40.12.Z/110	30336722	●
40	14	34	49,5	110	46	10	40	M10x1	1,8	15.507.40.14.Z/110	30336725	●
40	16	38	49,5	110	49	10	45	M12x1	1,8	15.507.40.16.Z/110	30336728	●
40	18	40	49,5	110	49	10	46	M12x1	1,9	15.507.40.18.Z/110	30336731	●
40	20	42	49,5	110	51	10	47	M16x1	1,9	15.507.40.20.Z/110	30336735	●
40	25	55	63	110	57	10	28	M16x1	2,3	15.507.40.25.Z/110	30336738	●
40	32	63	59	110	61	10	59	M16x1	2,4	15.507.40.32.Z/110	30336741	●

Dimensions in mm.

Basic form AD. Please indicate form AD or B in your order.

Spare parts and accessories at the end of this chapter.

MQL version on request.

Special versions on request.

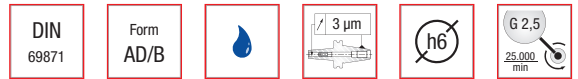
○ Products not on stock (delivery time on request).

● Available ex stock Germany.

# Hydraulic chuck

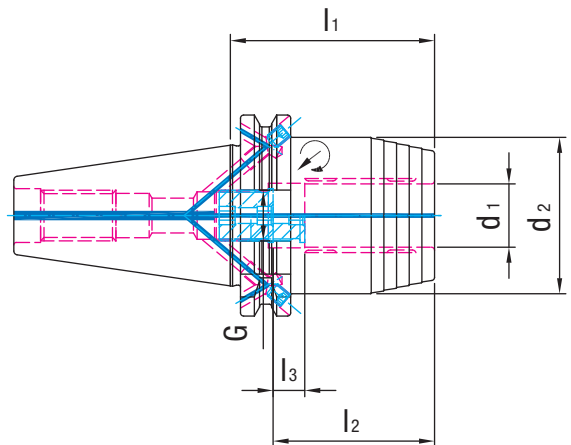
## DIN 69871-AD/B

Short and heavy version



### Quality characteristics:

- High accuracy of cyclic running
- Vibration damping effect
- High radial stiffness
- Clamping without additional equipment
- Tool change in shortest time
- High degree of flexibility using reducing sleeves



Nominal size ISO	Dimensions					G	Weight kg	Ref. No.	SAP Ref. No.	On stock
	d <sub>1</sub>	d <sub>2</sub>	l <sub>1</sub>	l <sub>2</sub>	l <sub>3</sub>					
40	20	49,5	64,5	51	10	M16x1	1,3	15.508.40.20.Z	30337087	●

Dimensions in mm.

Basic form AD. Please indicate form AD or B in your order.

Spare parts and accessories at the end of this chapter.

MQL version on request.

Special versions on request.

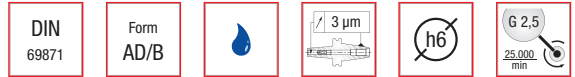
○ Products not on stock (delivery time on request).

● Available ex stock Germany.

# Hydraulic chuck

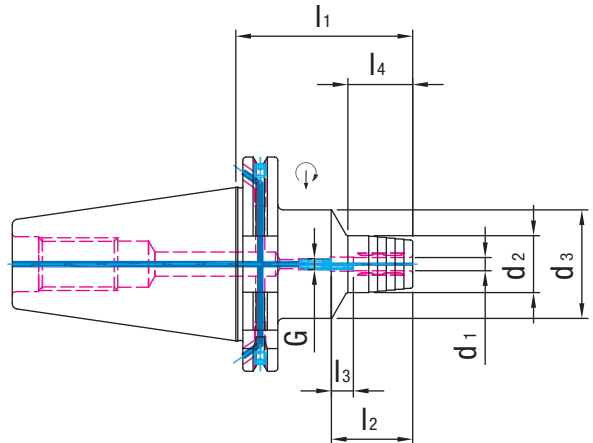
## DIN 69871-AD/B

Short and slim version



### Quality characteristics:

- High accuracy of cyclic running
- Vibration damping effect
- High radial stiffness
- Clamping without additional equipment
- Tool change in shortest time
- High degree of flexibility using reducing sleeves



Nominal size ISO	Dimensions							G	Weight kg	Ref. No.	SAP Ref. No.	On stock
	d <sub>1</sub>	d <sub>2</sub>	d <sub>3</sub>	l <sub>1</sub>	l <sub>2</sub>	l <sub>3</sub>	l <sub>4</sub>					
50	6	26	49,5	80,5	37	10	29,5	M5	3,2	15.507.50.06.Z	30336743	●
50	8	28	49,5	80,5	37	10	30,0	M6	3,3	15.507.50.08.Z	30336746	●
50	10	30	49,5	80,5	41	10	35,0	M8x1	3,3	15.507.50.10.Z	30336749	●
50	12	32	49,5	80,5	46	10	40,0	M10x1	3,3	15.507.50.12.Z	30336752	●
50	14	34	49,5	80,5	46	10	40,0	M10x1	3,3	15.507.50.14.Z	30336755	●
50	16	38	49,5	80,5	49	10	45,0	M12x1	3,3	15.507.50.16.Z	30336758	●
50	18	40	49,5	80,5	49	10	46,0	M12x1	3,3	15.507.50.18.Z	30336761	●
50	20	42	49,5	80,5	51	10	42,0	M16x1	3,3	15.507.50.20.Z	30336764	●
50	25	55	63	100	57	10	48,0	M16x1	3,8	15.507.50.25.Z	30336767	●
50	32	63	70	100	61	10	61,0	M16x1	4,2	15.507.50.32.Z	30336770	●

Dimensions in mm.

Basic form AD. Please indicate form AD or B in your order.

Spare parts and accessories at the end of this chapter.

MQL version on request.

Special versions on request.

○ Products not on stock (delivery time on request).

● Available ex stock Germany.

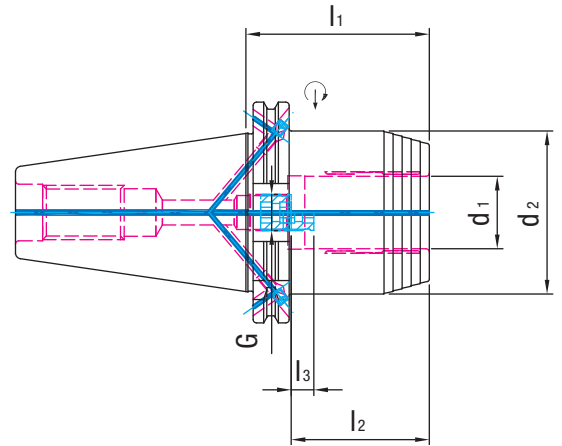
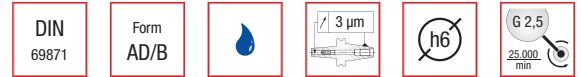


# Hydraulic chuck DIN 69871-AD/B

Short and heavy version

## Quality characteristics:

- High accuracy of cyclic running
- Vibration damping effect
- High radial stiffness
- Clamping without additional equipment
- Tool change in shortest time
- High degree of flexibility using reducing sleeves



Nominal size ISO	Dimensions					G	Weight kg	Ref. No.	SAP Ref. No.	On stock
	d <sub>1</sub>	d <sub>2</sub>	l <sub>1</sub>	l <sub>2</sub>	l <sub>3</sub>					
50	32	72	81	61	10	M16x1	3,9	15.508.50.32.Z	30337089	●

Dimensions in mm.

Basic form AD. Please indicate form AD or B in your order.

Spare parts and accessories at the end of this chapter.

MQL version on request.

Special versions on request.

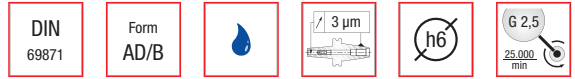
○ Products not on stock (delivery time on request).

● Available ex stock Germany.

# Hydraulic chuck

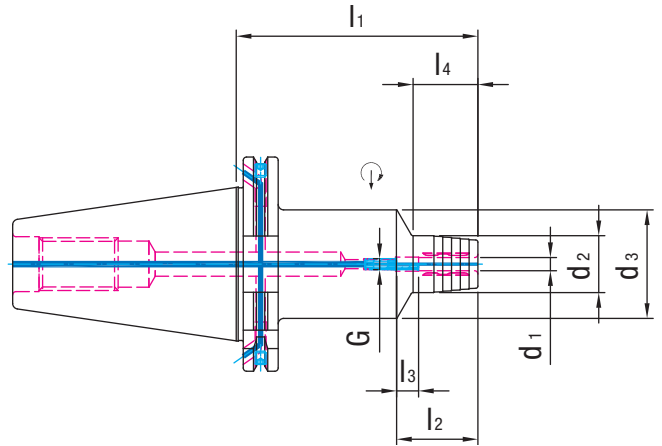
## DIN 69871-AD/B

Long and slim version



### Quality characteristics:

- High accuracy of cyclic running
- Vibration damping effect
- High radial stiffness
- Clamping without additional equipment
- Tool change in shortest time
- High degree of flexibility using reducing sleeves



Nominal size ISO	Dimensions							G	Weight kg	Ref. No.	SAP Ref. No.	On stock
	d <sub>1</sub>	d <sub>2</sub>	d <sub>3</sub>	l <sub>1</sub>	l <sub>2</sub>	l <sub>3</sub>	l <sub>4</sub>					
50	6	26	49,5	110	37	10	29	M5	4,1	15.507.50.06.Z/110	30336745	○
50	8	28	49,5	110	37	10	30	M6	4,1	15.507.50.08.Z/110	30336748	○
50	10	30	49,5	110	41	10	35	M8x1	4,1	15.507.50.10.Z/110	30336751	○
50	12	32	49,5	110	46	10	40	M10x1	4,3	15.507.50.12.Z/110	30336754	○
50	14	34	49,5	110	46	10	40	M10x1	4,3	15.507.50.14.Z/110	30336757	○
50	16	38	49,5	110	49	10	45	M12x1	4,3	15.507.50.16.Z/110	30336760	○
50	18	40	49,5	110	49	10	46	M12x1	4,5	15.507.50.18.Z/110	30336763	○
50	20	42	49,5	110	51	10	42	M16x1	4,5	15.507.50.20.Z/110	30336766	○
50	25	55	63	110	57	10	48	M16x1	4,7	15.507.50.25.Z/110	30336769	○
50	32	63	70	110	61	10	61	M16x1	4,8	15.507.50.32.Z/110	30336772	○

Dimensions in mm.

Basic form AD. Please indicate form AD or B in your order.

Spare parts and accessories at the end of this chapter.

MQL version on request.

Special versions on request.

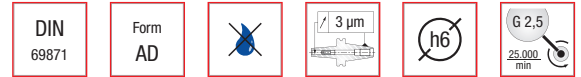
○ Products not on stock (delivery time on request).

● Available ex stock Germany.

# Hydraulic chuck

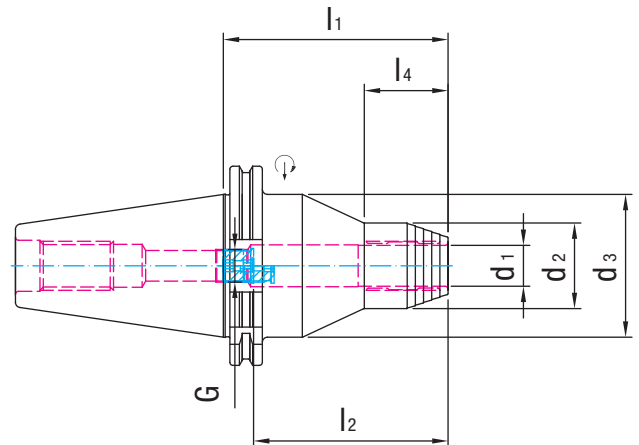
## DIN 69871-AD

For tool sharpening- and grinding machines



### Quality characteristics:

- High accuracy of cyclic running
- Vibration damping effect
- High radial stiffness
- Clamping without additional equipment
- Tool change in shortest time
- High degree of flexibility using reducing sleeves



Nominal size ISO	Dimensions						G	Weight kg	Ref. No.	SAP Ref. No.	On stock
	d <sub>1</sub>	d <sub>2</sub>	d <sub>3</sub>	l <sub>1</sub>	l <sub>2</sub>	l <sub>3</sub>					
50	6	36	60	110	43	45	M5	3,6	15.509.50.06	30336773	○
50	8	38	60	110	43	50	M6	3,6	15.509.50.08	30336774	○
50	10	40	60	110	43	50	M8x1	3,7	15.509.50.10	30336775	○
50	12	42	60	110	50	55	M10x1	3,7	15.509.50.12	30336776	○
50	14	44	60	110	50	60	M10x1	3,7	15.509.50.14	30336777	○
50	16	46,5	60	110	53	60	M12x1	3,8	15.509.50.16	30336778	○
50	18	48,5	60	110	53	60	M12x1	3,8	15.509.50.18	30336779	○
50	20	42	70	110	95	41	M16x1	3,9	15.509.50.20	30336780	○
50	22	44	70	110	95	43	M16x1	3,9	15.509.50.22	30336781	○
50	25	47	70	110	95	40	M16x1	3,9	15.509.50.25	30336782	○
50	32	63	70	110	95	56	M16x1	4,0	15.509.50.32	30336783	○

Dimensions in mm.

Spare parts and accessories at the end of this chapter.

MQL version on request.

Special versions on request.

○ Products not on stock (delivery time on request).

● Available ex stock Germany.

# Hydraulic chuck

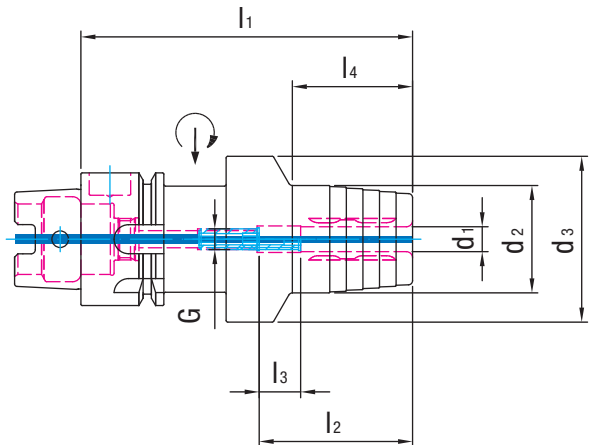
## DIN 69893-A

Short and slim version



### Quality characteristics:

- High accuracy of cyclic running
- Vibration damping effect
- High radial stiffness
- Clamping without additional equipment
- Tool change in shortest time
- High degree of flexibility using reducing sleeves



Nominal size HSK-A	Dimensions							G	Weight kg	Ref. No.	SAP Ref. No.	On stock
	d <sub>1</sub>	d <sub>2</sub>	d <sub>3</sub>	l <sub>1</sub>	l <sub>2</sub>	l <sub>3</sub>	l <sub>4</sub>					
32	6	26	40	80	37	10	29	M5	0,5	16.507.32.06.Z	30336816	●
32	8	28	40	80	37	10	29	M6	0,5	16.507.32.08.Z	30336817	●
32	10	30	40	85	41	10	35	M6	0,5	16.507.32.10.Z	30336818	●
32	12	32	40	90	46	10	40	M6	0,5	16.507.32.12.Z	30336819	●

Dimensions in mm.

Spare parts and accessories at the end of this chapter.

MQL version on request.

Special versions on request.

○ Products not on stock (delivery time on request).

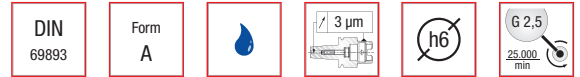
● Available ex stock Germany.



# Hydraulic chuck

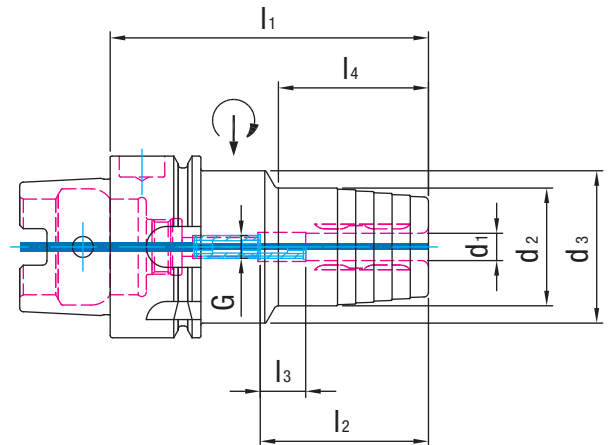
## DIN 69893-A

Short and slim version



### Quality characteristics:

- High accuracy of cyclic running
- Vibration damping effect
- High radial stiffness
- Clamping without additional equipment
- Tool change in shortest time
- High degree of flexibility using reducing sleeves



Nominal size HSK-A	Dimensions							G	Weight kg	Ref. No.	SAP Ref. No.	On stock
	d <sub>1</sub>	d <sub>2</sub>	d <sub>3</sub>	l <sub>1</sub>	l <sub>2</sub>	l <sub>3</sub>	l <sub>4</sub>					
40	6	26	33,5	70	37	10	36	M5	0,4	16.507.40.06.Z	30336820	●
40	8	28	33,5	70	37	10	36	M6	0,5	16.507.40.08.Z	30336821	●
40	10	30	33,5	75	41	10	42	M6	0,5	16.507.40.10.Z	30336822	●
40	12	32	33,5	85	46	10	48	M6	0,6	16.507.40.12.Z	30336823	●

Dimensions in mm.

Spare parts and accessories at the end of this chapter.

MQL version on request.

Special versions on request.

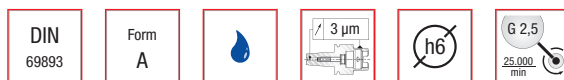
○ Products not on stock (delivery time on request).

● Available ex stock Germany.

# Hydraulic chuck

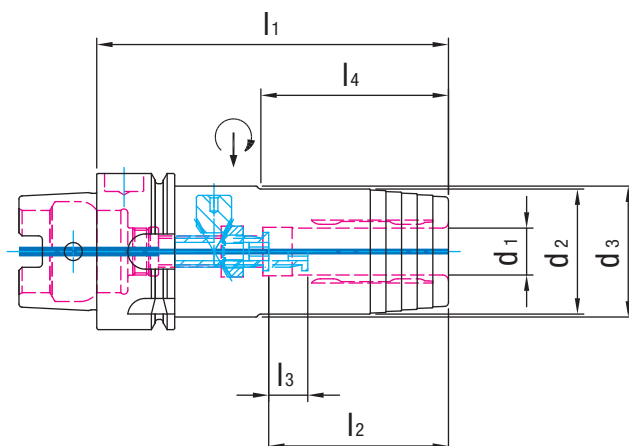
## DIN 69893-A

Short and slim version with radial adjustment



### Quality characteristics:

- High accuracy of cyclic running
- Vibration damping effect
- High radial stiffness
- Clamping without additional equipment
- Tool change in shortest time
- High degree of flexibility using reducing sleeves



Nominal size HSK-A	Dimensions							Weight kg	Ref. No.	SAP Ref. No.	On stock
	d <sub>1</sub>	d <sub>2</sub>	d <sub>3</sub>	l <sub>1</sub>	l <sub>2</sub>	l <sub>3</sub>	l <sub>4</sub>				
40	6	26	34	80	37	10	36	0,5	16.510.40.06.Z	30349328	○
40	8	28	34	80	37	10	36	0,5	16.510.40.08.Z	30349329	○
40	10	30	34	85	41	10	43	0,6	16.510.40.10.Z	30349330	○
40	12	32	34	90	46	10	48	0,6	16.510.40.12.Z	30349331	○

Dimensions in mm.

Spare parts and accessories at the end of this chapter.

MQL version on request.

Special versions on request.

○ Products not on stock (delivery time on request).

● Available ex stock Germany.

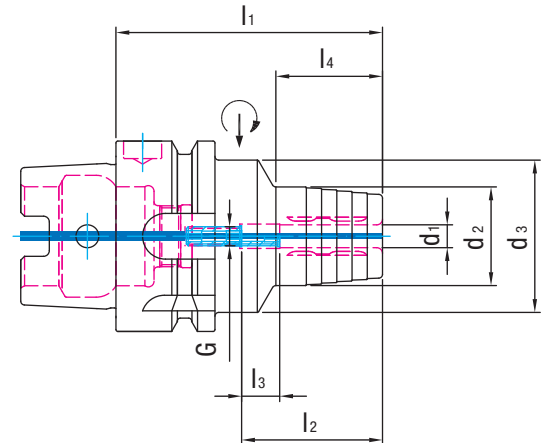
# Hydraulic chuck

## DIN 69893-A

Short and slim version

### Quality characteristics:

- High accuracy of cyclic running
- Vibration damping effect
- High radial stiffness
- Clamping without additional equipment
- Tool change in shortest time
- High degree of flexibility using reducing sleeves



Nominal size HSK-A	Dimensions							G	Weight kg	Ref. No.	SAP Ref. No.	On stock
	d <sub>1</sub>	d <sub>2</sub>	d <sub>3</sub>	l <sub>1</sub>	l <sub>2</sub>	l <sub>3</sub>	l <sub>4</sub>					
50	6	26	40	70	37	10	28	M5	0,9	16.507.50.06.Z	30336824	●
50	8	28	40	70	37	10	28	M6	0,9	16.507.50.08.Z	30336825	●
50	10	30	40	75	41	10	34	M8x1	0,9	16.507.50.10.Z	30336826	●
50	12	32	40	85	46	10	44	M10x1	1,0	16.507.50.12.Z	30336827	●
50	14	34	40	85	46	10	44	M10x1	1,0	16.507.50.14.Z	30336828	●
50	16	38	53	90	49	10	30	M12x1	1,2	16.507.50.16.Z	30336829	●
50	18	40	53	90	49	10	30	M12x1	1,2	16.507.50.18.Z	30336830	●
50	20	42	57	90	51	10	29	M16x1	1,2	16.507.50.20.Z	30336831	●

Dimensions in mm.

Spare parts and accessories at the end of this chapter.

MQL version on request.

Special versions on request.

○ Products not on stock (delivery time on request).

● Available ex stock Germany.

# Hydraulic chuck

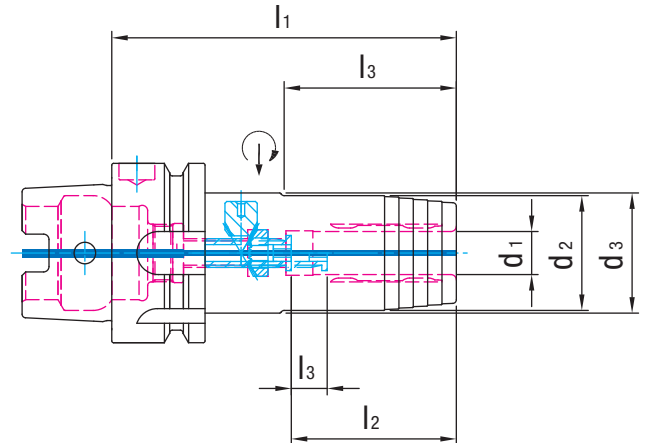
## DIN 69893-A

Short and slim version with radial adjustment



### Quality characteristics:

- High accuracy of cyclic running
- Vibration damping effect
- High radial stiffness
- Clamping without additional equipment
- Tool change in shortest time
- High degree of flexibility using reducing sleeves



Nominal size HSK-A	Dimensions							Weight kg	Ref. No.	SAP Ref. No.	On stock
	d <sub>1</sub>	d <sub>2</sub>	d <sub>3</sub>	l <sub>1</sub>	l <sub>2</sub>	l <sub>3</sub>	l <sub>4</sub>				
50	6	26	40	80	37	10	35	0,7	16.510.50.06.Z	30349332	○
50	8	28	40	80	37	10	36	0,7	16.510.50.08.Z	30349333	○
50	10	30	40	85	41	10	38	0,8	16.510.50.10.Z	30349334	○
50	12	32	40	90	46	10	40	0,8	16.510.50.12.Z	30349335	○
50	14	34	40	90	46	10	46	0,8	16.510.50.14.Z	30349336	○
50	16	38	53	95	49	10	36	1,0	16.510.50.16.Z	30349337	○
50	18	40	53	95	49	10	36	1,1	16.510.50.18.Z	30349338	○
50	20	42	57	100	51	10	37	1,2	16.510.50.20.Z	30349339	○

Dimensions in mm.

Spare parts and accessories at the end of this chapter.

MQL version on request.

Special versions on request.

○ Products not on stock (delivery time on request).

● Available ex stock Germany.



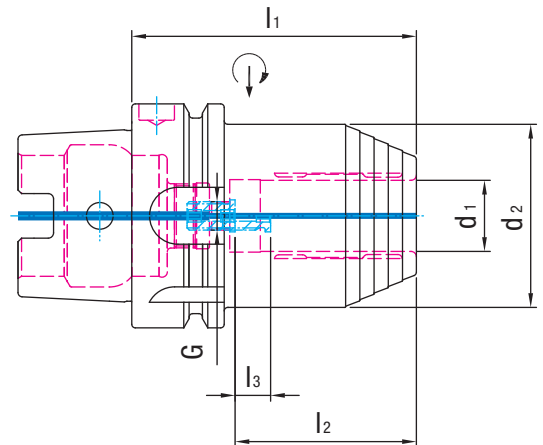
# Hydraulic chuck

## DIN 69893-A

Short and heavy version

### Quality characteristics:

- High accuracy of cyclic running
- Vibration damping effect
- High radial stiffness
- Clamping without additional equipment
- Tool change in shortest time
- High degree of flexibility using reducing sleeves



Nominal size HSK-A	Dimensions					G	Weight kg	Ref. No.	SAP Ref. No.	On stock
	$d_1$	$d_2$	$l_1$	$l_2$	$l_3$					
63	20	51,5	80	51	10	M8x1	1,5	16.508.63.20.Z	30337091	●

Dimensions in mm.

Spare parts and accessories at the end of this chapter.

MQL version on request.

Special versions on request.

○ Products not on stock (delivery time on request).

● Available ex stock Germany.

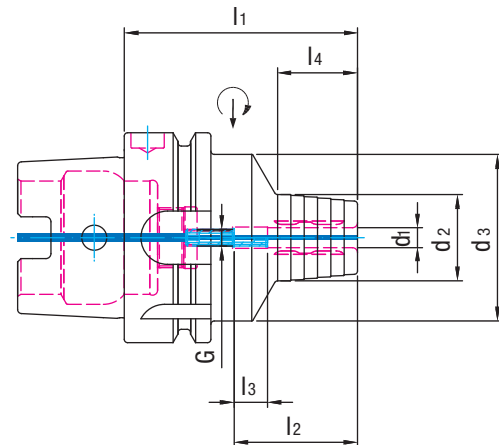
# Hydraulic chuck

## DIN 69893-A

Short and slim version

### Quality characteristics:

- High accuracy of cyclic running
- Vibration damping effect
- High radial stiffness
- Clamping without additional equipment
- Tool change in shortest time
- High degree of flexibility using reducing sleeves



Nominal size HSK-A	Dimensions							G	Weight kg	Ref. No.	SAP Ref. No.	On stock
	d <sub>1</sub>	d <sub>2</sub>	d <sub>3</sub>	l <sub>1</sub>	l <sub>2</sub>	l <sub>3</sub>	l <sub>4</sub>					
63	6	26	50	70	37	10	24	M5	0,9	16.507.63.06.Z	30336832	●
63	8	28	50	70	37	10	25	M6	0,9	16.507.63.08.Z	30336837	●
63	10	30	50	80	41	10	35	M8x1	1,0	16.507.63.10.Z	30336842	●
63	12	32	50	85	46	10	40	M10x1	1,0	16.507.63.12.Z	30336847	●
63	14	34	50	85	46	10	40	M10x1	1,1	16.507.63.14.Z	30336852	●
63	16	38	50	90	49	10	46	M12x1	1,2	16.507.63.16.Z	30336857	●
63	18	40	50	90	49	10	47	M12x1	1,2	16.507.63.18.Z	30336862	●
63	20	42	50	90	51	10	48	M16x1	1,2	16.507.63.20.Z	30336867	●
63	25	57	53	120	57	10	63	M16x1	2,1	16.507.63.25.Z	30336873	●
63	32	63	59	125	61	10	61	M16x1	2,3	16.507.63.32.Z	30336875	●

Dimensions in mm.

Spare parts and accessories at the end of this chapter.

MQL version on request.

Special versions on request.

○ Products not on stock (delivery time on request).

● Available ex stock Germany.

# Hydraulic chuck

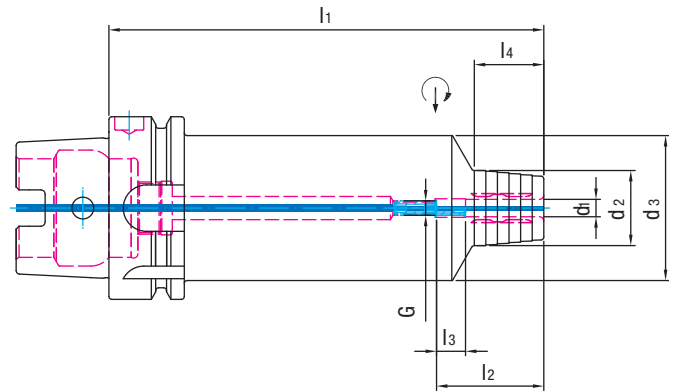
## DIN 69893-A

Long and slim version



### Quality characteristics:

- High accuracy of cyclic running
- Vibration damping effect
- High radial stiffness
- Clamping without additional equipment
- Tool change in shortest time
- High degree of flexibility using reducing sleeves



Nominal size HSK-A	Dimensions							G	Weight kg	Ref. No.	SAP Ref. No.	On stock
	d <sub>1</sub>	d <sub>2</sub>	d <sub>3</sub>	l <sub>1</sub>	l <sub>2</sub>	l <sub>3</sub>	l <sub>4</sub>					
63	6	26	50	150	37	10	103	M5	1,7	16.507.63.06.Z/150	30336835	●
63	6	26	50	200	37	10	153	M5	1,9	16.507.63.06.Z/200	30336836	○
63	8	28	50	150	37	10	104	M6	1,7	16.507.63.08.Z/150	30336840	●
63	8	28	50	200	37	10	154	M6	1,9	16.507.63.08.Z/200	30336841	○
63	10	30	50	150	41	10	104	M8x1	1,7	16.507.63.10.Z/150	30336845	●
63	10	30	50	200	41	10	154	M8x1	1,9	16.507.63.10.Z/200	30336846	○
63	12	32	50	150	46	10	105	M10x1	1,7	16.507.63.12.Z/150	30336850	●
63	12	32	50	200	46	10	155	M10x1	1,9	16.507.63.12.Z/200	30336851	○
63	14	34	50	150	46	10	105	M10x1	1,9	16.507.63.14.Z/150	30336855	●
63	14	34	50	200	46	10	155	M10x1	2,1	16.507.63.14.Z/200	30336856	○
63	16	38	50	150	49	10	106	M12x1	2,0	16.507.63.16.Z/150	30336860	●
63	16	38	50	200	49	10	156	M12x1	2,3	16.507.63.16.Z/200	30336861	○
63	18	40	50	150	49	10	107	M12x1	2,1	16.507.63.18.Z/150	30336865	●
63	18	40	50	200	49	10	157	M12x1	2,4	16.507.63.18.Z/200	30336866	○
63	20	42	50	150	51	10	108	M16x1	2,1	16.507.63.20.Z/150	30336871	●
63	20	42	50	200	51	10	158	M16x1	2,4	16.507.63.20.Z/200	30336872	○

Dimensions in mm.

Spare parts and accessories at the end of this chapter.

MQL version on request.

Special versions on request.

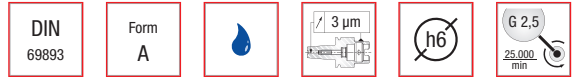
○ Products not on stock (delivery time on request).

● Available ex stock Germany.

# Hydraulic chuck

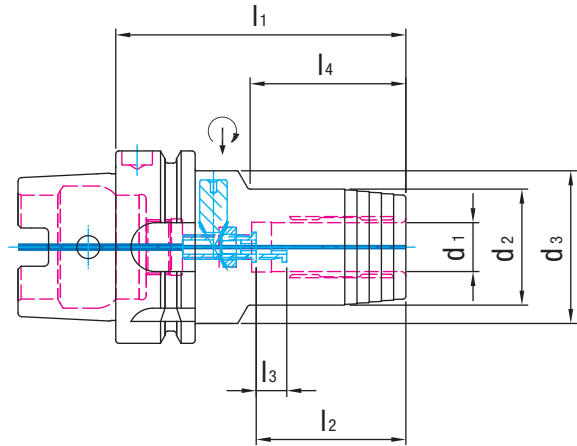
## DIN 69893-A

Short and slim version with radial adjustment



### Quality characteristics:

- High accuracy of cyclic running
- Vibration damping effect
- High radial stiffness
- Clamping without additional equipment
- Tool change in shortest time
- High degree of flexibility using reducing sleeves



Nominal size HSK-A	Dimensions							Weight kg	Ref. No.	SAP Ref. No.	On stock
	d <sub>1</sub>	d <sub>2</sub>	d <sub>3</sub>	l <sub>1</sub>	l <sub>2</sub>	l <sub>3</sub>	l <sub>4</sub>				
63	6	26	50	80	37	10	33	1,0	16.510.63.06.Z	30349340	●
63	8	28	50	80	37	10	33	1,1	16.510.63.08.Z	30349342	●
63	10	30	50	85	41	10	38	1,1	16.510.63.10.Z	30349343	●
63	12	32	50	90	46	10	40	1,2	16.510.63.12.Z	30349344	●
63	14	34	50	90	46	10	46	1,2	16.510.63.14.Z	30349345	●
63	16	38	50	95	49	10	51	1,3	16.510.63.16.Z	30349346	●
63	18	40	50	95	49	10	52	1,3	16.510.63.18.Z	30349347	●
63	20	42	50	100	51	10	51	1,4	16.510.63.20.Z	30349348	●
63	25	57	53	120	57	10	55	2,1	16.510.63.25.Z	30349349	●
63	32	63	53	125	61	10	61	2,4	16.510.63.32.Z	30349350	●

Dimensions in mm.

Spare parts and accessories at the end of this chapter.

MQL version on request.

Special versions on request.

○ Products not on stock (delivery time on request).

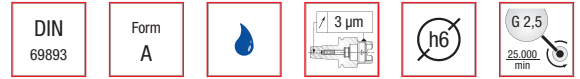
● Available ex stock Germany.



# Hydraulic chuck

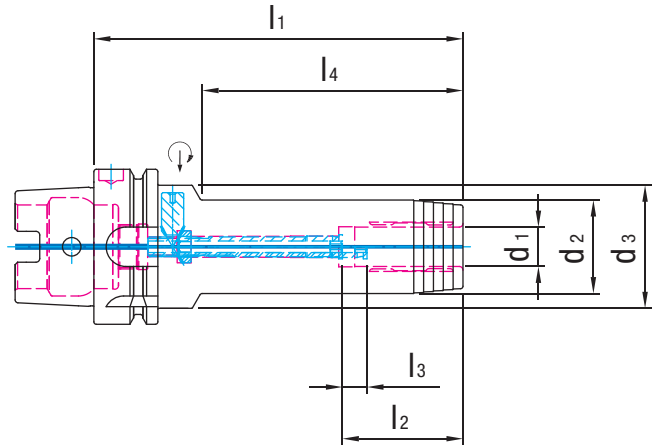
## DIN 69893-A

Long and slim version with radial adjustment



### Quality characteristics:

- High accuracy of cyclic running
- Vibration damping effect
- High radial stiffness
- Clamping without additional equipment
- Tool change in shortest time
- High degree of flexibility using reducing sleeves



Nominal size HSK-A	Dimensions							Weight kg	Ref. No.	SAP Ref. No.	On stock
	d <sub>1</sub>	d <sub>2</sub>	d <sub>3</sub>	l <sub>1</sub>	l <sub>2</sub>	l <sub>3</sub>	l <sub>4</sub>				
63	6	26	50	150	37	10	102	1,3	16.510.63.06.Z/150	30460203	○
63	6	32	50	200	37	10	150	1,9	16.510.63.06.Z/200	30460211	○
63	8	28	50	150	37	10	102	1,4	16.510.63.08.Z/150	30386771	○
63	8	34	50	200	37	10	150	2,0	16.510.63.08.Z/200	30460212	○
63	10	30	50	150	41	10	104	1,5	16.510.63.10.Z/150	30384694	○
63	10	34	50	200	41	10	155	1,9	16.510.63.10.Z/200	30460213	○
63	12	32	50	150	46	10	105	1,5	16.510.63.12.Z/150	30384697	○
63	12	34	50	200	46	10	155	1,9	16.510.63.12.Z/200	30460214	○
63	14	34	50	150	46	10	105	1,6	16.510.63.14.Z/150	30386770	○
63	14	34	50	200	46	10	155	1,9	16.510.63.14.Z/200	30460215	○
63	16	38	50	150	49	10	105	1,7	16.510.63.16.Z/150	30460204	○
63	16	38	50	200	49	10	157	2,2	16.510.63.16.Z/200	30460216	○
63	18	40	50	150	49	10	107	1,8	16.510.63.18.Z/150	30384699	○
63	18	40	50	200	49	10	157	2,3	16.510.63.18.Z/200	30460217	○
63	20	42	50	150	51	10	107	1,9	16.510.63.20.Z/150	30412673	○
63	20	42	50	200	51	10	155	2,4	16.510.63.20.Z/200	30460218	○
63	25	57	53	150	57	10	63	2,6	16.510.63.25.Z/150	30460206	○
63	25	57	53	200	57	10	63	3,5	16.510.63.25.Z/200	30460220	○
63	32	63	53	150	61	10	63	2,7	16.510.63.32.Z/150	30460208	○
63	32	63	53	200	61	10	63	3,6	16.510.63.32.Z/200	30460221	○

Dimensions in mm.

Spare parts and accessories at the end of this chapter.

MQL version on request.

Special versions on request.

○ Products not on stock (delivery time on request).

● Available ex stock Germany.

# Hydraulic chuck

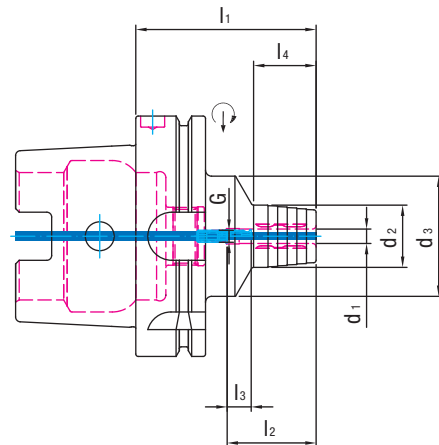
## DIN 69893-A

Short and slim version



### Quality characteristics:

- High accuracy of cyclic running
- Vibration damping effect
- High radial stiffness
- Clamping without additional equipment
- Tool change in shortest time
- High degree of flexibility using reducing sleeves



Nominal size HSK-A	Dimensions							G	Weight kg	Ref. No.	SAP Ref. No.	On stock
	d <sub>1</sub>	d <sub>2</sub>	d <sub>3</sub>	l <sub>1</sub>	l <sub>2</sub>	l <sub>3</sub>	l <sub>4</sub>					
100	6	26	50	75	37	10	26	M5	2,3	16.507.100.06.Z	30336784	●
100	8	28	50	75	37	10	26	M6	2,3	16.507.100.08.Z	30336788	●
100	10	30	50	90	41	10	42	M8x1	2,5	16.507.100.10.Z	30336792	●
100	12	32	50	95	46	10	47	M10x1	2,5	16.507.100.12.Z	30336796	●
100	14	34	50	95	46	10	47	M10x1	2,5	16.507.100.14.Z	30336800	●
100	16	38	50	100	49	10	53	M12x1	2,6	16.507.100.16.Z	30336802	●
100	18	40	50	100	49	10	53	M12x1	2,6	16.507.100.18.Z	30336806	●
100	20	42	50	105	51	10	59	M16x1	2,7	16.507.100.20.Z	30336808	●
100	25	57	63	110	57	10	62	M16x1	3,3	16.507.100.25.Z	30336812	●
100	32	63	67	110	61	10	60	M16x1	3,5	16.507.100.32.Z	30336814	●

Dimensions in mm.

Spare parts and accessories at the end of this chapter.

MQL version on request.

Special versions on request.

○ Products not on stock (delivery time on request).

● Available ex stock Germany.

# Hydraulic chuck

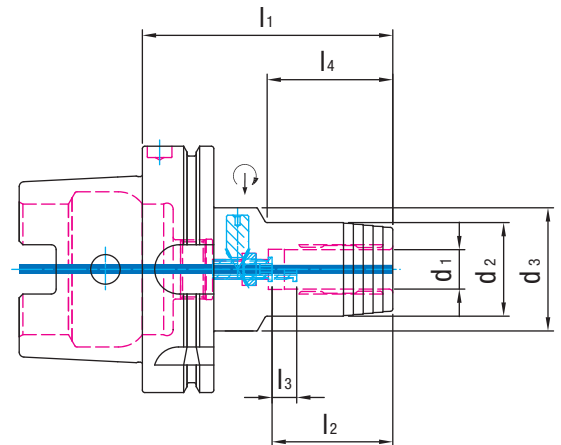
## DIN 69893-A

Short and slim version with radial adjustment



### Quality characteristics:

- High accuracy of cyclic running
- Vibration damping effect
- High radial stiffness
- Clamping without additional equipment
- Tool change in shortest time
- High degree of flexibility using reducing sleeves



Nominal size HSK-A	Dimensions							Weight kg	Ref. No.	SAP Ref. No.	On stock
	d <sub>1</sub>	d <sub>2</sub>	d <sub>3</sub>	l <sub>1</sub>	l <sub>2</sub>	l <sub>3</sub>	l <sub>4</sub>				
100	6	26	63	85	37	10	33	2,5	16.510.100.06.Z	30349351	○
100	8	28	63	85	37	10	33	2,6	16.510.100.08.Z	30349352	○
100	10	30	63	90	41	10	36	2,7	16.510.100.10.Z	30349353	○
100	12	32	63	95	46	10	40	2,7	16.510.100.12.Z	30349354	○
100	14	34	63	95	46	10	41	2,7	16.510.100.14.Z	30349355	○
100	16	38	63	100	49	10	46	2,8	16.510.100.16.Z	30349356	○
100	18	40	63	100	49	10	46	2,9	16.510.100.18.Z	30349357	○
100	20	42	75	105	51	10	51	3,1	16.510.100.20.Z	30349358	○
100	25	57	75	115	57	10	55	3,8	16.510.100.25.Z	30349359	○
100	32	63	75	120	61	10	63	4,0	16.510.100.32.Z	30349360	○

Dimensions in mm.

Spare parts and accessories at the end of this chapter.

MQL version on request.

Special versions on request.

○ Products not on stock (delivery time on request).

● Available ex stock Germany.

# Hydraulic chuck

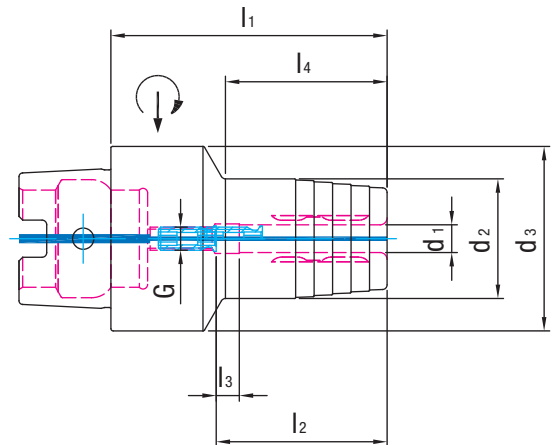
## DIN 69893-C

Short and slim version for manual tool change



### Quality characteristics:

- High accuracy of cyclic running
- Vibration damping effect
- High radial stiffness
- Clamping without additional equipment
- Tool change in shortest time
- High degree of flexibility using reducing sleeves



Nominal size HSK-C	Dimensions							G	Weight kg	Ref. No.	SAP Ref. No.	On stock
	d <sub>1</sub>	d <sub>2</sub>	d <sub>3</sub>	l <sub>1</sub>	l <sub>2</sub>	l <sub>3</sub>	l <sub>4</sub>					
40	6	26	40	60	37	10	35	M5	0,5	23.507.40.06.Z	30337045	●
40	8	28	40	60	37	10	36	M6	0,5	23.507.40.08.Z	30337046	●
40	10	30	40	65	41	10	41	M6	0,6	23.507.40.10.Z	30337047	●
40	12	32	40	70	46	10	47	M6	0,6	23.507.40.12.Z	30337048	●

Dimensions in mm.

Spare parts and accessories at the end of this chapter.

MQL version on request.

Special versions on request.

○ Products not on stock (delivery time on request).

● Available ex stock Germany.

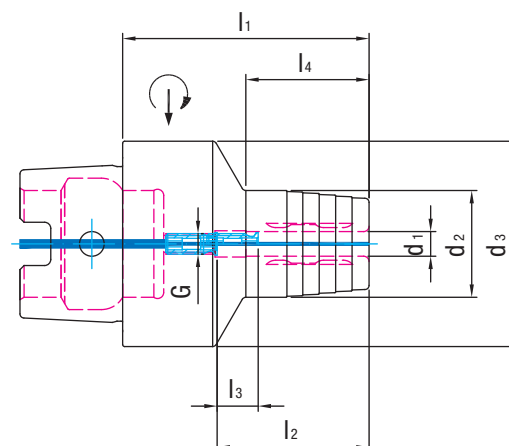
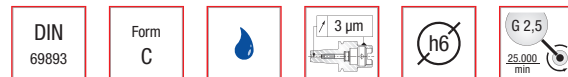
# Hydraulic chuck

## DIN 69893-C

Short and slim version for manual tool change

### Quality characteristics:

- High accuracy of cyclic running
- Vibration damping effect
- High radial stiffness
- Clamping without additional equipment
- Tool change in shortest time
- High degree of flexibility using reducing sleeves



Nominal size HSK-C	Dimensions							G	Weight kg	Ref. No.	SAP Ref. No.	On stock
	d <sub>1</sub>	d <sub>2</sub>	d <sub>3</sub>	l <sub>1</sub>	l <sub>2</sub>	l <sub>3</sub>	l <sub>4</sub>					
50	6	26	50	60	37	10	30	M5	0,7	23.507.50.06.Z	30337049	●
50	8	28	50	60	37	10	30	M6	0,7	23.507.50.08.Z	30337050	●
50	10	30	50	65	41	10	35	M8x1	1,0	23.507.50.10.Z	30337051	●
50	12	32	50	75	46	10	40	M10x1	0,9	23.507.50.12.Z	30337052	●
50	14	34	50	75	46	10	40	M10x1	0,8	23.507.50.14.Z	30337053	●
50	16	38	50	80	49	10	50	M12x1	1,1	23.507.50.16.Z	30337054	●
50	18	40	50	80	49	10	50	M12x1	1,4	23.507.50.18.Z	30337055	●
50	20	42	50	80	51	10	50	M16x1	1,2	23.507.50.20.Z	30337056	●
50	25	49,5	50	90	57	10	59	M16x1	1,1	23.507.50.25.Z	30337057	●

Dimensions in mm.

Spare parts and accessories at the end of this chapter.

MQL version on request.

Special versions on request.

○ Products not on stock (delivery time on request).

● Available ex stock Germany.



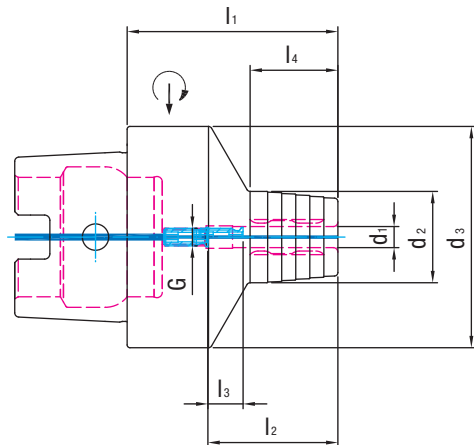
# Hydraulic chuck

## DIN 69893-C

Short and slim version for manual tool change

### Quality characteristics:

- High accuracy of cyclic running
- Vibration damping effect
- High radial stiffness
- Clamping without additional equipment
- Tool change in shortest time
- High degree of flexibility using reducing sleeves



Nominal size HSK-C	Dimensions							G	Weight kg	Ref. No.	SAP Ref. No.	On stock
	d <sub>1</sub>	d <sub>2</sub>	d <sub>3</sub>	l <sub>1</sub>	l <sub>2</sub>	l <sub>3</sub>	l <sub>4</sub>					
63	6	26	63	60	37	10	25	M5	1,0	23.507.63.06.Z	30337058	●
63	8	28	63	60	37	10	25	M6	1,0	23.507.63.08.Z	30337059	●
63	10	30	63	65	41	10	31	M8x1	1,0	23.507.63.10.Z	30337060	●
63	12	32	63	75	46	10	41	M10x1	1,1	23.507.63.12.Z	30337061	●
63	14	34	63	75	46	10	42	M10x1	1,1	23.507.63.14.Z	30337062	●
63	16	38	63	80	49	10	48	M12x1	1,1	23.507.63.16.Z	30337063	●
63	18	40	63	80	49	10	48	M12x1	1,2	23.507.63.18.Z	30337064	●
63	20	42	63	80	51	10	49	M16x1	1,2	23.507.63.20.Z	30337065	●
63	25	58	63	95	57	10	63	M16x1	2,0	23.507.63.25.Z	30337066	●
63	32	62	63	100	61	10	60	M16x1	2,1	23.507.63.32.Z	30337067	●

Dimensions in mm.

Spare parts and accessories at the end of this chapter.

MQL version on request.

Special versions on request.

○ Products not on stock (delivery time on request).

● Available ex stock Germany.

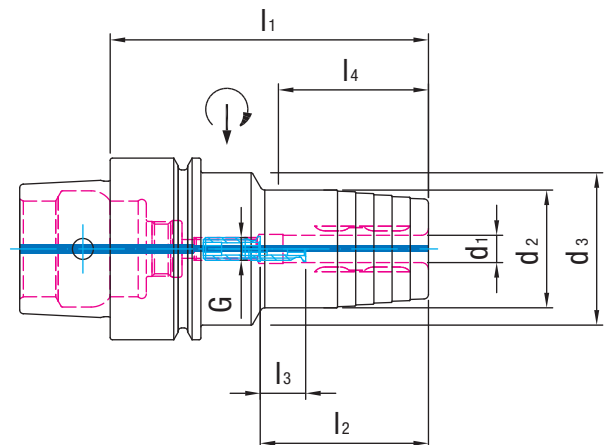
# Hydraulic chuck

## DIN 69893-E

Short and slim version for automatic tool change

### Quality characteristics:

- High accuracy of cyclic running
- Vibration damping effect
- High radial stiffness
- Clamping without additional equipment
- Tool change in shortest time
- High degree of flexibility using reducing sleeves



Nominal size HSK-E	Dimensions							G	Weight kg	Ref. No.	SAP Ref. No.	On stock
	d <sub>1</sub>	d <sub>2</sub>	d <sub>3</sub>	l <sub>1</sub>	l <sub>2</sub>	l <sub>3</sub>	l <sub>4</sub>					
40	6	26	33,5	70	37	10	36	M5	0,5	18.507.40.06.Z	30336886	●
40	8	28	33,5	70	37	10	36	M6	0,5	18.507.40.08.Z	30336887	●
40	10	30	33,5	75	41	10	42	M6	0,6	18.507.40.10.Z	30336888	●
40	12	32	33,5	80	46	10	48	M6	0,6	18.507.40.12.Z	30336889	●

Dimensions in mm.

Spare parts and accessories at the end of this chapter.

MQL version on request.

Special versions on request.

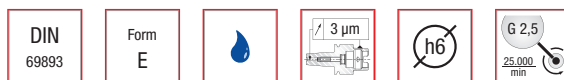
○ Products not on stock (delivery time on request).

● Available ex stock Germany.

# Hydraulic chuck

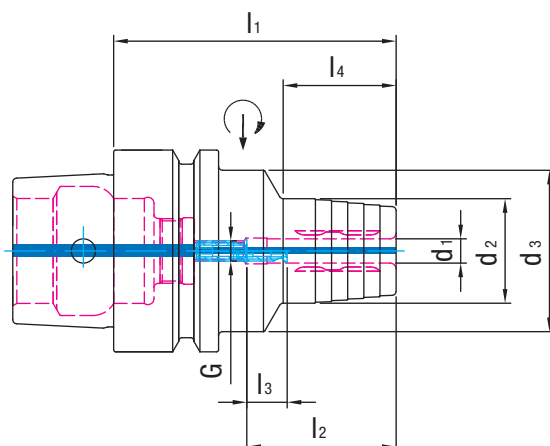
## DIN 69893-E

Short and slim version for automatic tool change



### Quality characteristics:

- High accuracy of cyclic running
- Vibration damping effect
- High radial stiffness
- Clamping without additional equipment
- Tool change in shortest time
- High degree of flexibility using reducing sleeves



Nominal size HSK-E	Dimensions							G	Weight kg	Ref. No.	SAP Ref. No.	On stock
	d <sub>1</sub>	d <sub>2</sub>	d <sub>3</sub>	l <sub>1</sub>	l <sub>2</sub>	l <sub>3</sub>	l <sub>4</sub>					
50	6	26	40	70	37	10	28	M5	0,9	18.507.50.06.Z	30336892	●
50	8	28	40	70	37	10	28	M6	0,9	18.507.50.08.Z	30336893	●
50	10	30	40	75	41	10	34	M8x1	1,0	18.507.50.10.Z	30336894	●
50	12	32	40	85	46	10	44	M10x1	1,0	18.507.50.12.Z	30336895	●
50	14	34	40	85	46	10	44	M10x1	1,0	18.507.50.14.Z	30336896	●
50	16	38	42	90	49	10	30	M12x1	1,0	18.507.50.16.Z	30336897	●
50	18	40	42	90	49	10	29	M12x1	1,2	18.507.50.18.Z	30336898	●
50	20	42	42	90	51	10	29	M16x1	1,2	18.507.50.20.Z	30336899	●

Dimensions in mm.

Spare parts and accessories at the end of this chapter.

MQL version on request.

Special versions on request.

○ Products not on stock (delivery time on request).

● Available ex stock Germany.

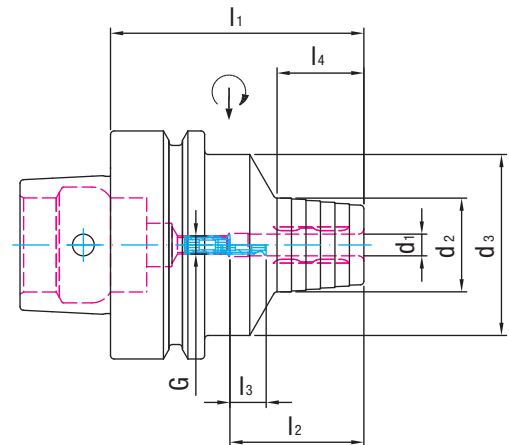
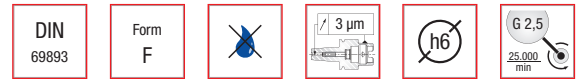
# Hydraulic chuck

## DIN 69893-F

Short and slim version for manual tool change

### Quality characteristics:

- High accuracy of cyclic running
- Vibration damping effect
- High radial stiffness
- Clamping without additional equipment
- Tool change in shortest time
- High degree of flexibility using reducing sleeves



Nominal size HSK-F	Dimensions							G	Weight kg	Ref. No.	SAP Ref. No.	On stock
	d <sub>1</sub>	d <sub>2</sub>	d <sub>3</sub>	l <sub>1</sub>	l <sub>2</sub>	l <sub>3</sub>	l <sub>4</sub>					
63	6	26	50	70	37	10	24	M5	1,0	17.507.63.06	30336877	○
63	8	28	50	70	37	10	25	M6	1,0	17.507.63.08	30336878	○
63	10	30	50	80	41	10	35	M8x1	1,1	17.507.63.10	30336879	○
63	12	32	50	85	46	10	40	M10x1	1,1	17.507.63.12	30336880	○
63	14	34	50	85	46	10	40	M10x1	1,2	17.507.63.14	30336881	○
63	16	38	50	90	49	10	46	M12x1	1,2	17.507.63.16	30336882	○
63	18	40	50	90	49	10	47	M12x1	1,4	17.507.63.18	30336883	○
63	20	42	50	90	51	10	48	M16x1	1,4	17.507.63.20	30336884	○
63	25	57	53	120	57	10	63	M16x1	2,1	17.507.63.25	30336885	○

Dimensions in mm.

Spare parts and accessories at the end of this chapter.

MQL version on request.

Special versions on request.

○ Products not on stock (delivery time on request).

● Available ex stock Germany.

# Hydraulic chuck

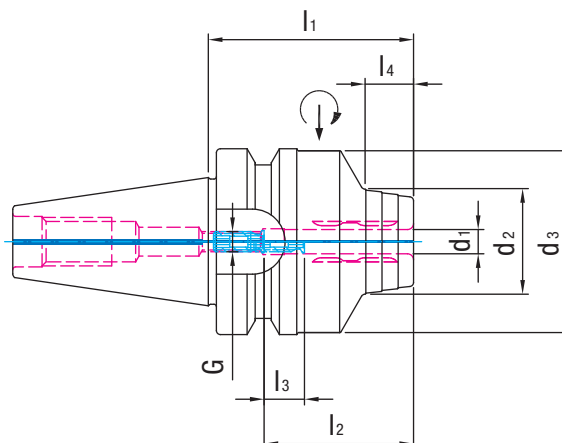
## JIS B6339, Form AD

Short and slim version



### Quality characteristics:

- High accuracy of cyclic running
- Vibration damping effect
- High radial stiffness
- Clamping without additional equipment
- Tool change in shortest time
- High degree of flexibility using reducing sleeves



Nominal size BT	Dimensions							G	Weight kg	Ref. No.	SAP Ref. No.	On stock
	d <sub>1</sub>	d <sub>2</sub>	d <sub>3</sub>	l <sub>1</sub>	l <sub>2</sub>	l <sub>3</sub>	l <sub>4</sub>					
30	6	26	45	50,8	37	10	12,0	M5	0,7	22.507.30.06.Z	30336900	●
30	8	28	45	50,8	37	10	12,5	M6	0,7	22.507.30.08.Z	30336905	●
30	10	30	45	50,8	41	10	13,0	M8x1	0,7	22.507.30.10.Z	30336910	●
30	12	32	45	50,8	46	10	14,0	M8x1	0,7	22.507.30.12.Z	30336915	●
30	14	34	45	90,0	46	10	45,0	M8x1	1,0	22.507.30.14.Z	30336920	●
30	16	38	45	90,0	49	10	50,0	M8x1	1,0	22.507.30.16.Z	30336921	●
30	18	40	45	90,0	49	10	50,0	M8x1	1,0	22.507.30.18.Z	30336924	●
30	20	42	45	90,0	51	10	50,0	M8x1	1,0	22.507.30.20.Z	30336925	●

Dimensions in mm.

Coolant supply according to DIN 69871-AD

Spare parts and accessories at the end of this chapter.

MQL version on request.

Special versions on request.

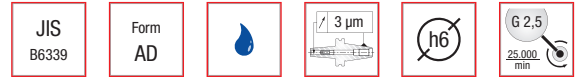
○ Products not on stock (delivery time on request).

● Available ex stock Germany.

# Hydraulic chuck

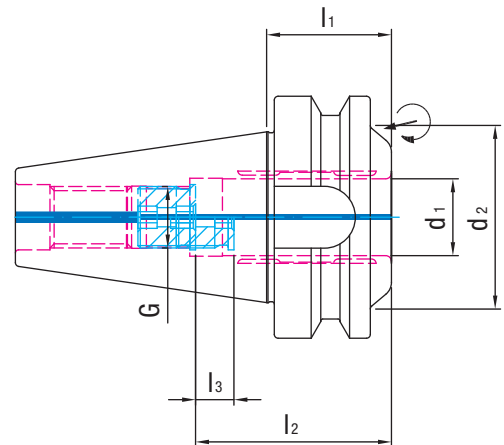
## JIS B6339, Form AD

Ultra short version



### Quality characteristics:

- High accuracy of cyclic running
- Vibration damping effect
- High radial stiffness
- Clamping without additional equipment
- Tool change in shortest time
- High degree of flexibility using reducing sleeves



Nominal size BT	Dimensions					G	Weight kg	Ref. No.	SAP Ref. No.	On stock
	d <sub>1</sub>	d <sub>2</sub>	l <sub>1</sub>	l <sub>2</sub>	l <sub>3</sub>					
40	20	48	32,5	51	10	M16x1	0,7	22.501.40.20.Z	30411484	●

Dimensions in mm.

Coolant supply according to DIN 69871-AD

Spare parts and accessories at the end of this chapter.

MQL version on request.

Special versions on request.

○ Products not on stock (delivery time on request).

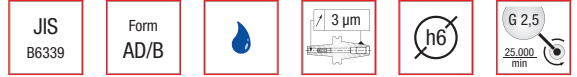
● Available ex stock Germany.



# Hydraulic chuck

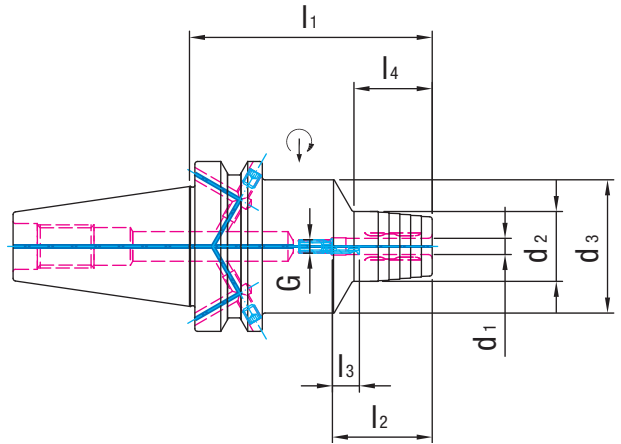
## JIS B6339, Form AD/B

Short and slim version



### Quality characteristics:

- High accuracy of cyclic running
- Vibration damping effect
- High radial stiffness
- Clamping without additional equipment
- Tool change in shortest time
- High degree of flexibility using reducing sleeves



Nominal size BT	Dimensions							G	Weight kg	Ref. No.	SAP Ref. No.	On stock
	d <sub>1</sub>	d <sub>2</sub>	d <sub>3</sub>	l <sub>1</sub>	l <sub>2</sub>	l <sub>3</sub>	l <sub>4</sub>					
40	6	26	49,5	90	37	10	29	M5	1,5	22.507.40.06.Z	30336927	●
40	8	28	49,5	90	37	10	30	M6	1,6	22.507.40.08.Z	30336933	●
40	10	30	49,5	90	41	10	35	M8x1	1,6	22.507.40.10.Z	30336939	●
40	12	32	49,5	90	46	10	40	M10x1	1,6	22.507.40.12.Z	30336946	●
40	14	34	49,5	90	46	10	40	M10x1	1,6	22.507.40.14.Z	30336953	●
40	16	38	49,5	90	49	10	45	M12x1	1,6	22.507.40.16.Z	30336958	●
40	18	40	49,5	90	49	10	46	M12x1	1,6	22.507.40.18.Z	30336964	●
40	20	42	49,5	90	51	10	47	M16x1	1,6	22.507.40.20.Z	30336969	●
40	25	55	52	90	57	10	50	M16x1	1,9	22.507.40.25.Z	30336975	●
40	32	63	62	90	61	10	48	M16x1	2,1	22.507.40.32.Z	30336982	●

Dimensions in mm.

Basic form AD. Please indicate form AD or B in your order.

Spare parts and accessories at the end of this chapter.

MQL version on request.

Special versions on request.

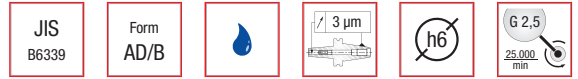
○ Products not on stock (delivery time on request).

● Available ex stock Germany.

# Hydraulic chuck

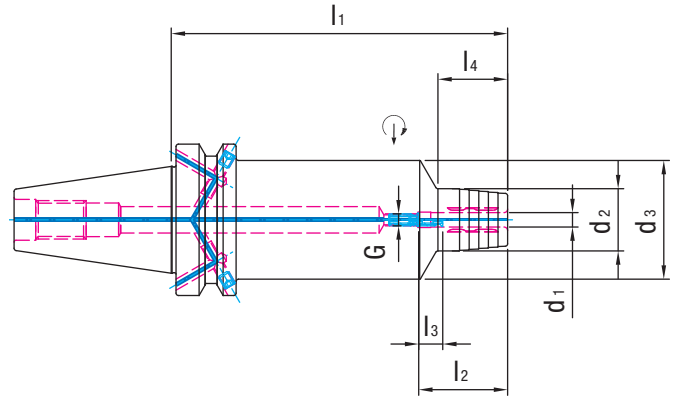
## JIS B6339, Form AD/B

Long and slim version



### Quality characteristics:

- High accuracy of cyclic running
- Vibration damping effect
- High radial stiffness
- Clamping without additional equipment
- Tool change in shortest time
- High degree of flexibility using reducing sleeves



Nominal size BT	Dimensions							G	Weight kg	Ref. No.	SAP Ref. No.	On stock
	d <sub>1</sub>	d <sub>2</sub>	d <sub>3</sub>	l <sub>1</sub>	l <sub>2</sub>	l <sub>3</sub>	l <sub>4</sub>					
40	6	26	49,5	140	37	10	29	M5	2,1	22.507.40.06.Z/140	30336930	●
40	8	28	49,5	140	37	10	30	M6	2,1	22.507.40.08.Z/140	30336936	●
40	10	30	49,5	140	41	10	35	M8x1	2,1	22.507.40.10.Z/140	30336943	●
40	12	32	49,5	140	46	10	40	M10x1	2,1	22.507.40.12.Z/140	30336950	●
40	14	34	49,5	140	46	10	40	M10x1	2,1	22.507.40.14.Z/140	30336956	●
40	16	38	49,5	140	49	10	45	M12x1	2,1	22.507.40.16.Z/140	30336961	●
40	18	40	49,5	140	49	10	46	M12x1	2,1	22.507.40.18.Z/140	30336967	●
40	20	42	49,5	140	51	10	47	M16x1	2,1	22.507.40.20.Z/140	30336973	●
40	25	55	52	140	57	10	75	M16x1	2,8	22.507.40.25.Z/140	30336979	●
40	32	63	59	140	61	10	61	M16x1	2,9	22.507.40.32.Z/140	30336987	●

Dimensions in mm.

Basic form AD. Please indicate form AD or B in your order.

Spare parts and accessories at the end of this chapter.

MQL version on request.

Special versions on request.

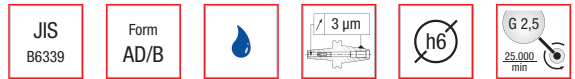
○ Products not on stock (delivery time on request).

● Available ex stock Germany.

# Hydraulic chuck

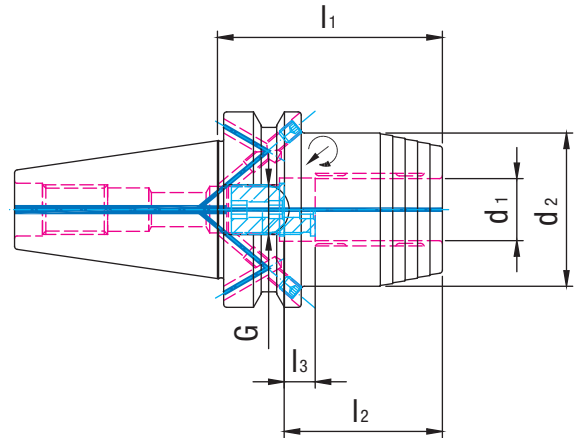
## JIS B6339, Form AD/B

Short and heavy version



### Quality characteristics:

- High accuracy of cyclic running
- Vibration damping effect
- High radial stiffness
- Clamping without additional equipment
- Tool change in shortest time
- High degree of flexibility using reducing sleeves



Nominal size BT	Dimensions					G	Weight kg	Ref. No.	SAP Ref. No.	On stock
	d <sub>1</sub>	d <sub>2</sub>	l <sub>1</sub>	l <sub>2</sub>	l <sub>3</sub>					
40	20	49,5	72,5	51	10	M16x1	1,5	22.508.40.20.Z	30337093	●

Dimensions in mm.

Basic form AD. Please indicate form AD or B in your order.

Spare parts and accessories at the end of this chapter.

MQL version on request.

Special versions on request.

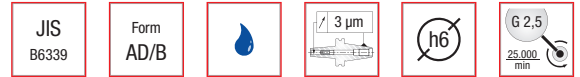
○ Products not on stock (delivery time on request).

● Available ex stock Germany.

# Hydraulic chuck

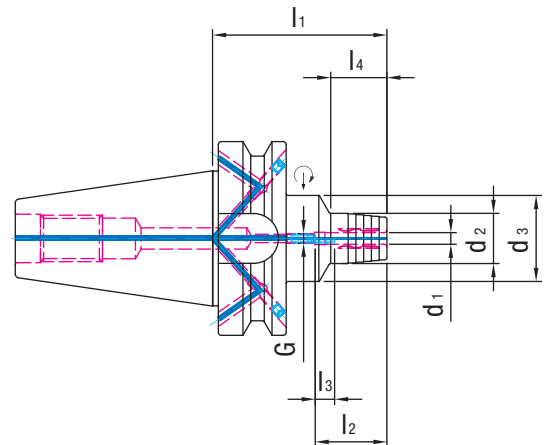
## JIS B6339, Form AD/B

Short and slim version



### Quality characteristics:

- High accuracy of cyclic running
- Vibration damping effect
- High radial stiffness
- Clamping without additional equipment
- Tool change in shortest time
- High degree of flexibility using reducing sleeves



Nominal size BT	Dimensions							G	Weight kg	Ref. No.	SAP Ref. No.	On stock
	d <sub>1</sub>	d <sub>2</sub>	d <sub>3</sub>	l <sub>1</sub>	l <sub>2</sub>	l <sub>3</sub>	l <sub>4</sub>					
50	6	26	49,5	90	37	10	29	M5	4,2	22.507.50.06.Z	30336989	●
50	8	28	49,5	90	37	10	30	M6	4,2	22.507.50.08.Z	30336995	●
50	10	30	49,5	90	41	10	34	M8x1	4,2	22.507.50.10.Z	30337001	●
50	12	32	49,5	90	46	10	34	M10x1	4,2	22.507.50.12.Z	30337007	●
50	14	34	49,5	90	46	10	34	M10x1	4,2	22.507.50.14.Z	30337013	●
50	16	38	49,5	90	49	10	35	M12x1	4,2	22.507.50.16.Z	30337017	●
50	18	40	49,5	90	49	10	35	M12x1	4,2	22.507.50.18.Z	30337023	●
50	20	42	49,5	90	51	10	35	M16x1	4,2	22.507.50.20.Z	30337027	●
50	25	55	63	110	57	10	48	M16x1	4,6	22.507.50.25.Z	30337033	●
50	32	63	70	110	61	10	50	M16x1	5,0	22.507.50.32.Z	30337039	●

Dimensions in mm.

Basic form AD. Please indicate form AD or B in your order.

Spare parts and accessories at the end of this chapter.

MQL version on request.

Special versions on request.

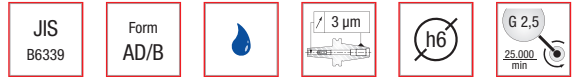
○ Products not on stock (delivery time on request).

● Available ex stock Germany.

# Hydraulic chuck

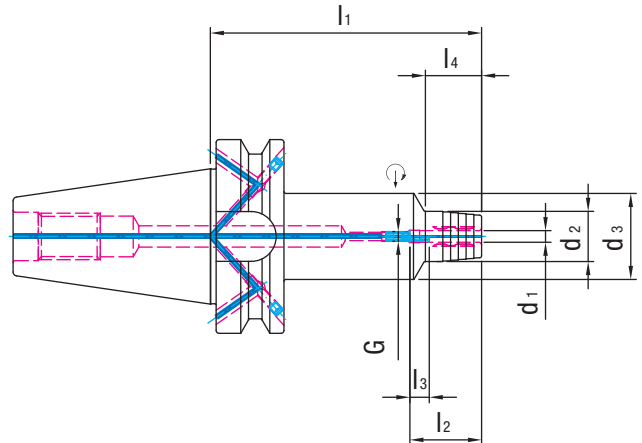
## JIS B6339, Form AD/B

Long and slim version



### Quality characteristics:

- High accuracy of cyclic running
- Vibration damping effect
- High radial stiffness
- Clamping without additional equipment
- Tool change in shortest time
- High degree of flexibility using reducing sleeves



Nominal size BT	Dimensions							G	Weight kg	Ref. No.	SAP Ref. No.	On stock
	d <sub>1</sub>	d <sub>2</sub>	d <sub>3</sub>	l <sub>1</sub>	l <sub>2</sub>	l <sub>3</sub>	l <sub>4</sub>					
50	6	26	49,5	140	37	10	29	M5	5	22.507.50.06.Z/140	30336993	○
50	8	28	49,5	140	37	10	30	M6	5	22.507.50.08.Z/140	30336999	○
50	10	30	49,5	140	41	10	35	M8x1	5	22.507.50.10.Z/140	30337005	○
50	12	32	49,5	140	46	10	40	M10x1	5	22.507.50.12.Z/140	30337011	○
50	14	34	49,5	140	46	10	40	M10x1	5	22.507.50.14.Z/140	30337016	○
50	16	38	49,5	140	49	10	45	M12x1	5	22.507.50.16.Z/140	30337021	○
50	18	40	49,5	140	49	10	46	M12x1	5,1	22.507.50.18.Z/140	30337026	○
50	20	42	49,5	140	51	10	42	M16x1	5,1	22.507.50.20.Z/140	30337031	○
50	25	55	63	140	57	10	48	M16x1	5,5	22.507.50.25.Z/140	30337036	○
50	32	63	70	140	61	10	50	M16x1	5,7	22.507.50.32.Z/140	30337042	○

Dimensions in mm.

Basic form AD. Please indicate form AD or B in your order.

Spare parts and accessories at the end of this chapter.

MQL version on request.

Special versions on request.

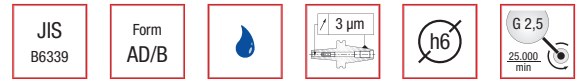
○ Products not on stock (delivery time on request).

● Available ex stock Germany.

# Hydraulic chuck

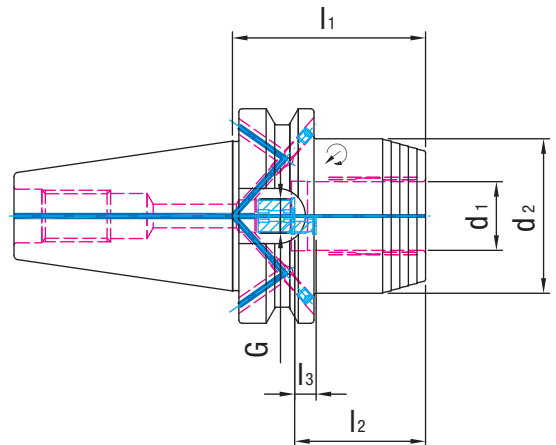
## JIS B6339, Form AD/B

Short and heavy version



### Quality characteristics:

- High accuracy of cyclic running
- Vibration damping effect
- High radial stiffness
- Clamping without additional equipment
- Tool change in shortest time
- High degree of flexibility using reducing sleeves



Nominal size BT	Dimensions					G	Weight kg	Ref. No.	SAP Ref. No.	On stock
	d <sub>1</sub>	d <sub>2</sub>	l <sub>1</sub>	l <sub>2</sub>	l <sub>3</sub>					
50	32	72	90	61	10	M16x1	4,7	22.508.50.32.Z	30337095	●

Dimensions in mm.

Basic form AD. Please indicate form AD or B in your order.

Spare parts and accessories at the end of this chapter.

MQL version on request.

Special versions on request.

○ Products not on stock (delivery time on request).

● Available ex stock Germany.

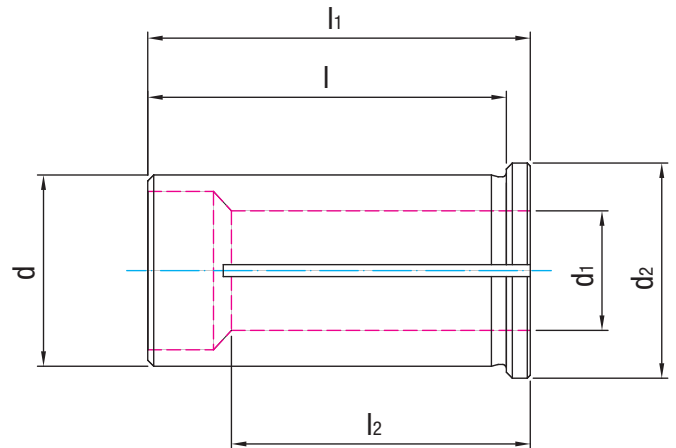


# Reducing sleeve, coolant resistant

Slotted, for flexible reduction of diameter

## Quality characteristics:

- Coolant resistant up to 80 bar
- High quality hardened spring steel
- Increases the transferable torque
- Especially for hydraulic chucks
- Suitable for all WTE HPH-Chucks and WTE hydraulic chucks



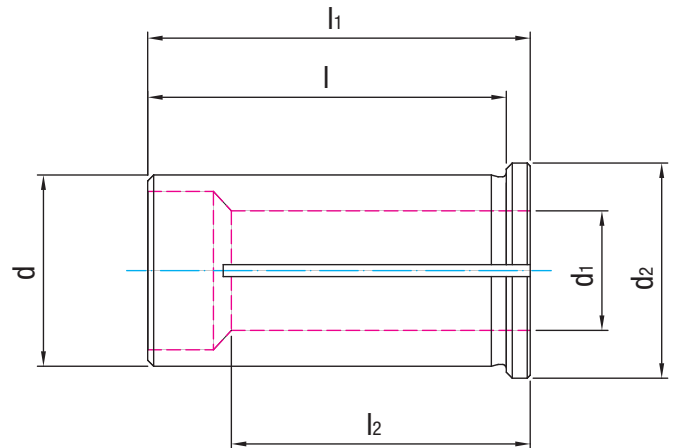
Dimensions						Ref. No.	SAP Ref. No.	On stock
d	d <sub>1</sub>	d <sub>2</sub>	l	l <sub>1</sub>	l <sub>2</sub>			
12	3	16	40	44	29	40.456.12.03.Z	30251059	●
12	4	16	40	44	29	40.456.12.04.Z	30251060	●
12	5	16	40	44	29	40.456.12.05.Z	30251061	●
12	6	16	40	44	36	40.456.12.06.Z	30251062	●
12	7	16	40	44	37	40.456.12.07.Z	30251063	○
12	8	16	40	44	37	40.456.12.08.Z	30251064	●
12	9	16	40	44	37	40.456.12.09.Z	30251065	○
12	10	16	40	44	40	40.456.12.10.Z	30251066	●
20	3	25	50	54	28	40.456.20.03.Z	30251067	●
20	4	25	50	54	28	40.456.20.04.Z	30251068	●
20	5	25	50	54	28	40.456.20.05.Z	30251069	●
20	6	25	50	54	36	40.456.20.06.Z	30251070	●
20	7	25	50	54	38	40.456.20.07.Z	30251071	○
20	8	25	50	54	37	40.456.20.08.Z	30251072	●
20	9	25	50	54	38	40.456.20.09.Z	30251073	○
20	10	25	50	54	40	40.456.20.10.Z	30251074	●
20	11	25	50	54	40	40.456.20.11.Z	30251075	○
20	12	25	50	54	45	40.456.20.12.Z	30251076	●
20	13	25	50	54	45	40.456.20.13.Z	30251077	○
20	14	25	50	54	45	40.456.20.14.Z	30251078	●
20	15	25	50	54	45	40.456.20.15.Z	30251079	○
20	16	25	50	54	48	40.456.20.16.Z	30251080	●

# Reducing sleeve, coolant resistant

Slotted, for flexible reduction of diameter

## Quality characteristics:

- Coolant resistant up to 80 bar
- High quality hardened spring steel
- Increases the transferable torque
- Especially for hydraulic chucks
- Suitable for all WTE HPH-Chucks and WTE hydraulic chucks



Dimensions						Ref. No.	SAP Ref. No.	On stock
d	d <sub>1</sub>	d <sub>2</sub>	l	l <sub>1</sub>	l <sub>2</sub>			
25	3	30	56	60	29	40.456.25.03.Z	30251081	○
25	4	30	56	60	29	40.456.25.04.Z	30251082	○
25	5	30	56	60	29	40.456.25.05.Z	30251083	○
25	6	30	56	60	37	40.456.25.06.Z	30251084	○
25	7	30	56	60	37	40.456.25.07.Z	30251085	○
25	8	30	56	60	37	40.456.25.08.Z	30251086	○
25	9	30	56	60	38	40.456.25.09.Z	30251087	○
25	10	30	56	60	40	40.456.25.10.Z	30251088	○
25	12	30	56	60	46	40.456.25.12.Z	30251089	○
25	14	30	56	60	47	40.456.25.14.Z	30251090	○
25	16	30	56	60	48	40.456.25.16.Z	30251091	○
25	18	30	56	60	48	40.456.25.18.Z	30251092	○
25	20	30	56	60	50	40.456.25.20.Z	30251093	○
32	6	36	60	64	36	40.456.32.06.Z	30251094	●
32	7	36	60	64	37	40.456.32.07.Z	30251095	○
32	8	36	60	64	36	40.456.32.08.Z	30251096	●
32	9	36	60	64	37	40.456.32.09.Z	30251097	○
32	10	36	60	64	40	40.456.32.10.Z	30251098	●
32	11	36	60	64	40	40.456.32.11.Z	30251099	○
32	12	36	60	64	45	40.456.32.12.Z	30251100	●
32	13	36	60	64	45	40.456.32.13.Z	30251101	○
32	14	36	60	64	46	40.456.32.14.Z	30251102	●
32	15	36	60	64	46	40.456.32.15.Z	30251103	○
32	16	36	60	64	48	40.456.32.16.Z	30251104	●
32	17	36	60	64	48	40.456.32.17.Z	30251105	○
32	18	36	60	64	49	40.456.32.18.Z	30251106	●
32	19	36	60	64	49	40.456.32.19.Z	30251107	○
32	20	36	60	64	50	40.456.32.20.Z	30251108	●
32	22	36	60	64	50	40.456.32.22.Z	30251109	○
32	25	36	60	64	56	40.456.32.25.Z	30251110	●

Dimensions in mm.

MQL version on request.

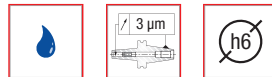
Special versions on request.

○ Products not on stock (delivery time on request).

● Available ex stock Germany.

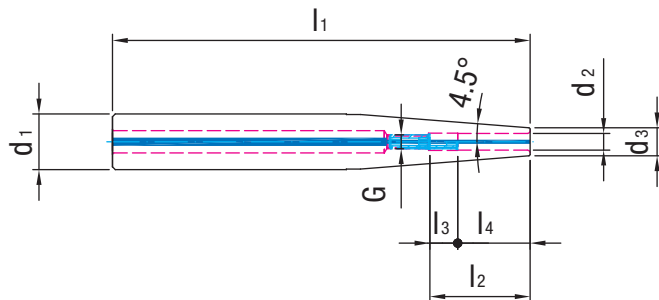
# Shrink extension

For use as a hydraulic chuck extension



## Quality characteristics:

- Increases the transferable torque
- Especially for hydraulic chucks
- Suitable for all WTE HPH-Chucks and WTE hydraulic chucks



Dimensions							G	Weight kg	Ref. No.	SAP Ref. No.	On stock
d <sub>1</sub>	d <sub>2</sub>	d <sub>3</sub>	l <sub>1</sub>	l <sub>2</sub>	l <sub>3</sub>	l <sub>4</sub>					
12	3	8	150			12		0,1	40.357.12.03.Z	30344729	●
12	4	8	150			16		0,1	40.357.12.04.Z	30344730	●
12	5	10	150			20		0,1	40.357.12.05.Z	30344731	●
12	6	10	150	36	10	26	M5	0,1	40.357.12.06.Z	30344732	●
16	3	10	150			12		0,2	40.357.16.03.Z	30344733	●
16	4	10	150			16		0,2	40.357.16.04.Z	30344734	●
16	5	10	150			20		0,2	40.357.16.05.Z	30344735	●
16	6	10	150	36	10	26	M5	0,2	40.357.16.06.Z	30344736	●
16	8	12	150	36	10	26	M6	0,2	40.357.16.08.Z	30344737	●
20	3	10	150			12		0,3	40.357.20.03.Z	30344738	●
20	4	10	150			16		0,3	40.357.20.04.Z	30344739	●
20	5	10	150			20		0,3	40.357.20.05.Z	30344740	●
20	6	10	150	36	10	26	M5	0,3	40.357.20.06.Z	30344741	●
20	8	12	150	36	10	26	M6	0,3	40.357.20.08.Z	30344742	●
20	10	14	150	42	10	32	M6	0,3	40.357.20.10.Z	30344743	●
20	12	16	150	47	10	37	M10x1	0,3	40.357.20.12.Z	30344744	●

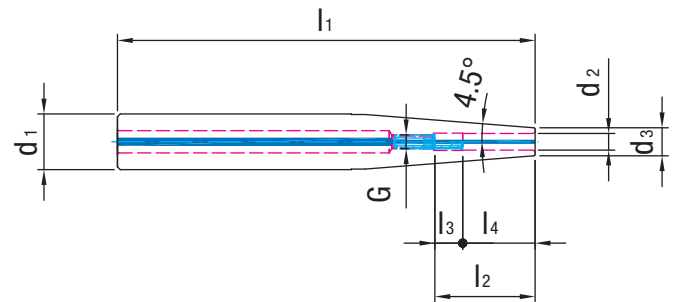
## Shrink extension

For use as a hydraulic chuck extension



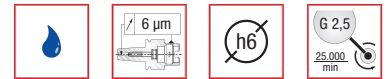
### Quality characteristics:

- Increases the transferable torque
- Especially for hydraulic chucks
- Suitable for all WTE HPH-Chucks and WTE hydraulic chucks



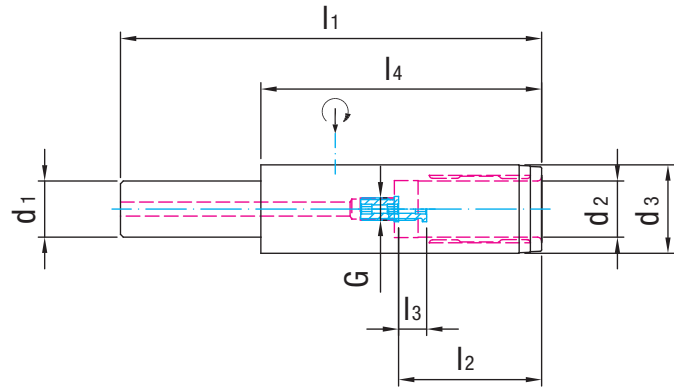
Dimensions							G	Weight kg	Ref. No.	SAP Ref. No.	On stock
d <sub>1</sub>	d <sub>2</sub>	d <sub>3</sub>	l <sub>1</sub>	l <sub>2</sub>	l <sub>3</sub>	l <sub>4</sub>					
25	3	10	150			12		0,5	40.357.25.03.Z	30344745	●
25	4	10	150			16		0,5	40.357.25.04.Z	30344746	●
25	5	15	150			20		0,5	40.357.25.05.Z	30344747	●
25	6	20	150	36	10	26	M5	0,5	40.357.25.06.Z	30344748	●
25	8	20	150	36	10	26	M6	0,5	40.357.25.08.Z	30344749	●
25	10	20	150	42	10	32	M6	0,5	40.357.25.10.Z	30344750	●
25	12	20	150	47	10	37	M10x1	0,5	40.357.25.12.Z	30344751	●
25	14	20	150	47	10	37	M10x1	0,4	40.357.25.14.Z	30344752	●
25	16	22	150	50	10	40	M10x1	0,4	40.357.25.16.Z	30344753	●
32	6	20	150	36	10	26	M5	0,8	40.357.32.06.Z	30344754	●
32	8	20	150	36	10	26	M6	0,8	40.357.32.08.Z	30344755	●
32	10	24	150	42	10	32	M6	0,8	40.357.32.10.Z	30344756	●
32	12	24	150	47	10	37	M10x1	0,8	40.357.32.12.Z	30344757	●
32	14	27	150	47	10	37	M10x1	0,8	40.357.32.14.Z	30344758	●
32	16	27	150	50	10	40	M10x1	0,8	40.357.32.16.Z	30344759	●
32	18	27	150	50	10	40	M10x1	0,7	40.357.32.18.Z	30337832	●
32	20	27	150	52	10	42	M10x1	0,7	40.357.32.20.Z	30337833	●

# Hydraulic chuck extension



## Quality characteristics:

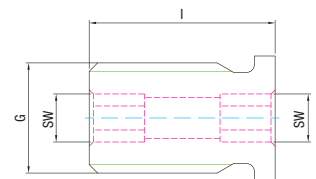
- Increases the transferable torque
- Especially for hydraulic chucks
- Suitable for all WTE HPH-Chucks and WTE hydraulic chucks



Dimensions							G	Weight kg	Ref. No.	SAP Ref. No.	On stock
d <sub>1</sub>	d <sub>2</sub>	d <sub>3</sub>	l <sub>1</sub>	l <sub>2</sub>	l <sub>3</sub>	l <sub>4</sub>					
20	12	25	150	46	10	100	M6	0,5	40.557.20.12.Z	30479021	○
20	20	31,5	150	51	10	100	M10x1	0,6	40.557.20.20.Z	30479022	○
32	20	31,5	150	51	10	90	M10x1	0,7	40.557.32.20.Z	30479024	○
32	20	31,5	200	51	10	90	M10x1	0,8	40.557.32.20.Z/200	30479025	○

# Set screw for direct clamping

For axial length adjustment



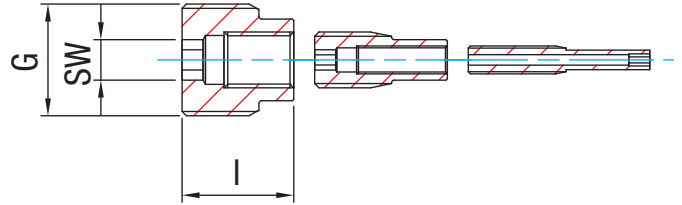
G	SW	l	Weight kg	Ref. No.	SAP Ref. No.	On stock
M6	SW2	14	0,002	89.122.98	30252537	●
M5	SW2,5	12,5	0,001	89.122.88	30252539	●
M6	SW3	12,5	0,002	89.122.89	30252540	●
M8x1	SW3	13,5	0,004	89.122.23	30252541	●
M10x1	SW5	13,5	0,006	89.122.90	30252542	●
M12x1	SW5	13,5	0,011	89.122.24	30252543	●
M16x1	SW5	13,5	0,017	89.122.19	30252544	●
M16x1	SW8	13,5	0,021	89.122.91	30252547	●

## AAS set screw

For use of reducing sleeves, for axial length adjustment

### Quality characteristics:

- Hardened steel with less distortion
- Save axial stop
- Optimal coolant supply
- To operate on both sides
- Optimal rotation of stop system



#### AAS 12 for Ref. No. 40.456.12.xx

G	SW	I	Weight kg	Ref. No.	SAP Ref. No.	On stock
M10x1	SW2,5	16	0,002	89.122.103	30308896	●
M4x0,5	SW1,5	26	0,001	89.122.101	30308901	●

#### AAS 20 for Ref. No. 40.456.20.xx

G	SW	I	Weight kg	Ref. No.	SAP Ref. No.	On stock
M16x1	SW 5	16	0,002	89.122.99	30308897	●
M8x1	SW 2,5	19	0,002	89.122.100	30308899	●
M4x0,5	SW 1,5	26	0,001	89.122.101	30308901	●

#### AAS 25 for Ref. No. 40.456.25.xx

G	SW	I	Weight kg	Ref. No.	SAP Ref. No.	On stock
M16x1	SW 5	20	0,002	89.122.104	30308904	●
M8x1	SW 2,5	19	0,002	89.122.100	30308899	●
M4x0,5	SW 1,5	26	0,001	89.122.101	30308901	●

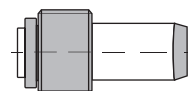
#### AAS 32 for Ref. No. 40.456.32.xx

G	SW	I	Weight kg	Ref. No.	SAP Ref. No.	On stock
M16x1	SW5	20	0,002	89.122.104	30308904	●
M8x1	SW2,5	19	0,002	89.122.100	30308899	●



## Coolant tube

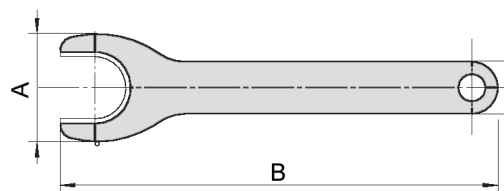
For DIN 69893-A/E



HSK	Weight kg	Ref. No.	SAP Ref. No.	On stock
32	0,01	89.220.72	30326003	○
40	0,01	89.220.73	30326004	○
50	0,02	89.220.74	30326005	●
63	0,02	89.220.75	30326006	●
80	0,02	89.220.76	30326007	○
100	0,03	89.220.77	30326008	○

## Extractor

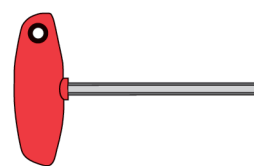
For easy removal of reduction sleeves from  
WTE hydraulic chucks



For	A	B	Ref. No.	SAP Ref. No.	On stock
HS 12	24,6	100	89.206.26	30251198	●
HS 20	38,0	160	89.206.27	30251199	●
HS 25	51,0	180	89.206.28	30251200	●
HS 32	63,0	200	89.206.29	30251201	●

## Allen „T“-Wrench

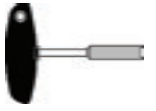
For axial length adjustment



SW	l	Weight kg	Ref. No.	SAP Ref. No.	On stock
2,5	150	0,02	89.206.01	10034540	●
3	150	0,02	89.206.02	10013347	●
5	150	0,06	89.206.03	10041807	●
8	150	0,1	89.206.04	10041808	●

## Socket wrench

For coolant tube



SW	Weight kg	Ref. No.	SAP Ref. No.	On stock
32	0,01	89.206.20	30336671	○
40	0,01	89.206.21	30336672	○
50	0,01	89.206.22	30336673	○
63	0,01	89.206.23	30336675	●
80	0,02	89.206.24	10074774	○
100	0,02	89.206.25	30336676	○

## ISO protective gloves



Weight kg	Ref. No.	SAP Ref. No.	On stock
0,20	98.100.040	30336681	●





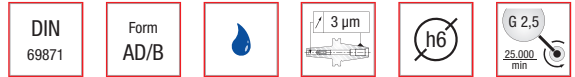
## HPH - High Performance Holder

Shank type ISO 40	Page	64-65
Shank type ISO 50	Page	66
Shank type HSK-A 63	Page	67-68
Shank type HSK-A 100	Page	69-70
Shank type BT 40	Page	71-72
Shank type BT 50	Page	73
Spare parts and accessories	Page	74-83

# HPH - High Performance Holder

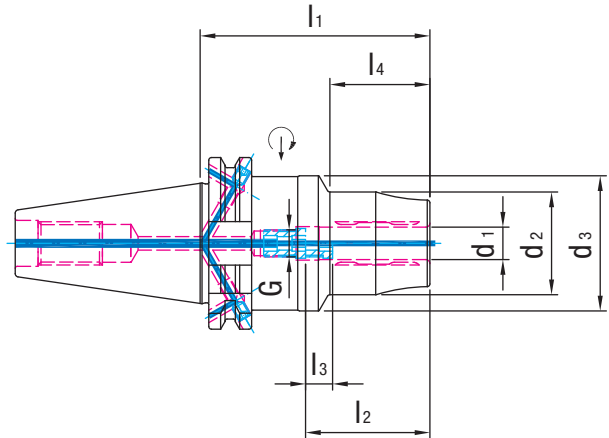
## DIN 69871-AD/B

Short and slim version



### Quality characteristics:

- Extremely high holding forces
- Vibration damping effect
- Extremely high transferable torque
- Usable for all commercial shank types



Nominal size ISO	Dimensions							G	Weight kg	Ref. No.	SAP Ref. No.	On stock
	d <sub>1</sub>	d <sub>2</sub>	d <sub>3</sub>	l <sub>1</sub>	l <sub>2</sub>	l <sub>3</sub>	l <sub>4</sub>					
40	6	32	50	75	37	10	26	M5	1,4	15.407.40.06.Z	30339747	●
40	8	34	50	75	37	10	27	M6	1,4	15.407.40.08.Z	30339749	●
40	10	36	50	80	41	10	32	M8x1	1,4	15.407.40.10.Z	30339750	●
40	12	38	50	85	46	10	37	M10x1	1,5	15.407.40.12.Z	30339751	●
40	14	40	50	85	46	10	37	M10x1	1,6	15.407.40.14.Z	30339752	●
40	16	42	50	90	49	10	42	M12x1	1,6	15.407.40.16.Z	30339753	●
40	18	44	50	90	49	10	42	M12x1	1,7	15.407.40.18.Z	30339754	●
40	20	48	50	95	51	10	45	M16x1	1,7	15.407.40.20.Z	30339755	●
40	25	57	50	110	57	10	60	M16x1	2,2	15.407.40.25.Z	30339756	●
40	32	63	50	120	61	10	65	M16x1	2,5	15.407.40.32.Z	30339758	●

Dimensions in mm.

Basic form AD. Please indicate form AD or B in your order.

Spare parts and accessories at the end of this chapter.

MQL version available.

Special versions on request.

○ Products not on stock (delivery time on request).

● Available ex stock Germany.

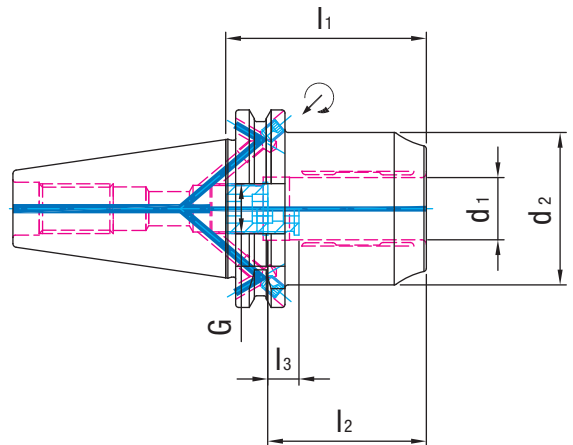
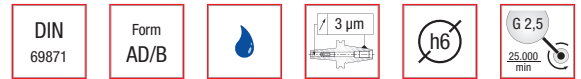
# HPH - High Performance Holder

## DIN 69871-AD/B

Short and heavy version

### Quality characteristics:

- Extremely high holding forces
- Vibration damping effect
- Extremely high transferable torque
- Usable for all commercial shank types



Nominal size ISO	Dimensions					G	Weight kg	Ref. No.	SAP Ref. No.	On stock
	$d_1$	$d_2$	$l_1$	$l_2$	$l_3$					
40	20	49	64,5	51	10	M16x1	1,4	15.408.40.20.Z	30372360	●

Dimensions in mm.

Basic form AD. Please indicate form AD or B in your order.

Spare parts and accessories at the end of this chapter.

MQL version available.

Special versions on request.

○ Products not on stock (delivery time on request).

● Available ex stock Germany.

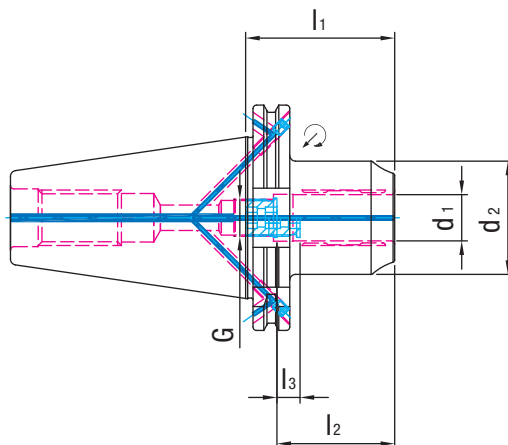
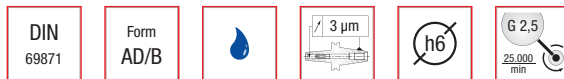
# HPH - High Performance Holder

## DIN 69871-AD/B

Short and heavy version

### Quality characteristics:

- Extremely high holding forces
- Vibration damping effect
- Extremely high transferable torque
- Usable for all commercial shank types



Nominal size ISO	Dimensions					G	Weight kg	Ref. No.	SAP Ref. No.	On stock
	d <sub>1</sub>	d <sub>2</sub>	l <sub>1</sub>	l <sub>2</sub>	l <sub>3</sub>					
50	20	49	64,5	51	10	M16x1	3,1	15.408.50.20.Z	30435618	●
50	32	72	81	61	10	M16x1	4,1	15.408.50.32.Z	30471202	●

Dimensions in mm.

Basic form AD. Please indicate form AD or B in your order.

Spare parts and accessories at the end of this chapter.

MQL version available.

Special versions on request.

○ Products not on stock (delivery time on request).

● Available ex stock Germany.



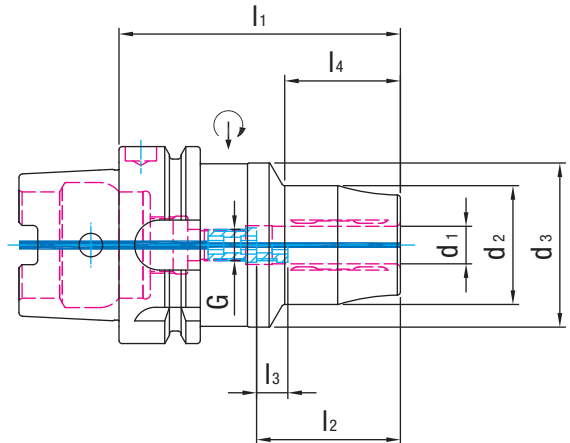
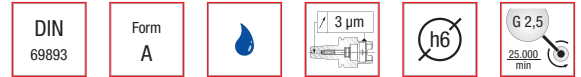
# HPH - High Performance Holder

## DIN 69893-A

Short and slim version

### Quality characteristics:

- Extremely high holding forces
- Vibration damping effect
- Extremely high transferable torque
- Usable for all commercial shank types



Nominal size HSK-A	Dimensions							G	Weight kg	Ref. No.	SAP Ref. No.	On stock
	d <sub>1</sub>	d <sub>2</sub>	d <sub>3</sub>	l <sub>1</sub>	l <sub>2</sub>	l <sub>3</sub>	l <sub>4</sub>					
63	6	32	50	80	37	10	26	M5	1,1	16.407.63.06.Z	30339759	●
63	8	34	50	80	37	10	27	M6	1,1	16.407.63.08.Z	30339760	●
63	10	36	50	85	41	10	32	M8x1	1,2	16.407.63.10.Z	30339761	●
63	12	38	52,5	90	46	10	37	M10x1	1,3	16.407.63.12.Z	30339762	●
63	14	40	52,5	90	46	10	37	M10x1	1,3	16.407.63.14.Z	30339763	●
63	16	42	52,5	95	49	10	42	M12x1	1,5	16.407.63.16.Z	30339764	●
63	18	44	52,5	95	49	10	42	M12x1	1,5	16.407.63.18.Z	30339765	●
63	20	48	52,5	100	51	10	45	M16x1	1,5	16.407.63.20.Z	30339766	●
63	25	57	53	120	57	10	62	M16x1	2,1	16.407.63.25.Z	30339767	●
63	32	63	53	125	61	10	62	M16x1	2,3	16.407.63.32.Z	30339768	●

Dimensions in mm.

Spare parts and accessories at the end of this chapter.

MQL version available.

Special versions on request.

○ Products not on stock (delivery time on request).

● Available ex stock Germany.

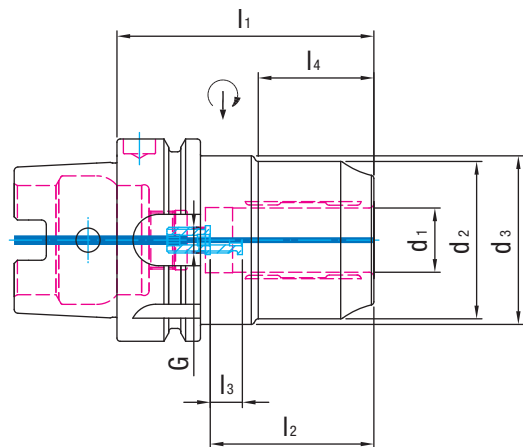
# HPH - High Performance Holder

## DIN 69893-A

Short and heavy version

### Quality characteristics:

- Extremely high holding forces
- Vibration damping effect
- Extremely high transferable torque
- Usable for all commercial shank types



Nominal size HSK-A	Dimensions							G	Weight kg	Ref. No.	SAP Ref. No.	On stock
	d <sub>1</sub>	d <sub>2</sub>	d <sub>3</sub>	l <sub>1</sub>	l <sub>2</sub>	l <sub>3</sub>	l <sub>4</sub>					
63	20	49	52,5	80	51	10	36	M8x1	1,3	16.408.63.20.Z	30372363	●

Dimensions in mm.

Spare parts and accessories at the end of this chapter.

MQL version available.

Special versions on request.

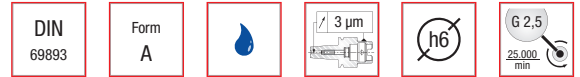
○ Products not on stock (delivery time on request).

● Available ex stock Germany.

# HPH - High Performance Holder

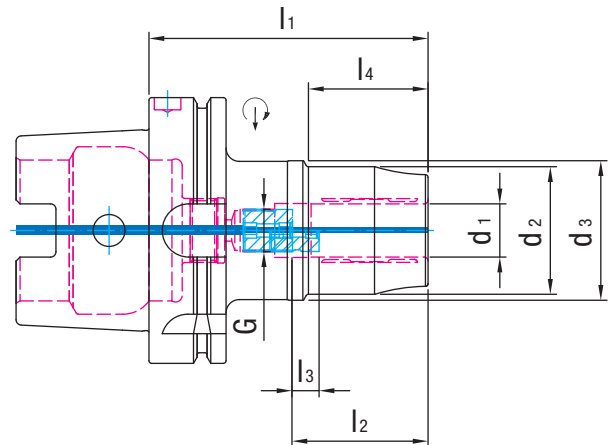
## DIN 69893-A

Short and slim version



### Quality characteristics:

- Extremely high holding forces
- Vibration damping effect
- Extremely high transferable torque
- Usable for all commercial shank types



Nominal size HSK-A	Dimensions							G	Weight kg	Ref. No.	SAP Ref. No.	On stock
	d <sub>1</sub>	d <sub>2</sub>	d <sub>3</sub>	l <sub>1</sub>	l <sub>2</sub>	l <sub>3</sub>	l <sub>4</sub>					
100	6	32	50	85	37	10	26	M5	2,8	16.407.100.06.Z	30469210	●
100	8	34	50	85	37	10	27	M6	2,8	16.407.100.08.Z	30469216	●
100	10	36	50	90	41	10	32	M8x1	2,9	16.407.100.10.Z	30469218	●
100	12	38	52,5	95	46	10	37	M10x1	2,9	16.407.100.12.Z	30469220	●
100	14	40	52,5	95	46	10	37	M10x1	2,9	16.407.100.14.Z	30469221	●
100	16	42	52,5	100	49	10	42	M12x1	3,0	16.407.100.16.Z	30469222	●
100	18	44	52,5	100	49	10	42	M12x1	3,0	16.407.100.18.Z	30469229	●
100	20	48	52,5	105	51	10	45	M16x1	3,0	16.407.100.20.Z	30469233	●
100	25	57	63	115	57	10	60	M16x1	3,8	16.407.100.25.Z	30469234	●
100	32	63	75	120	61	10	60	M16x1	4,0	16.407.100.32.Z	30469236	●

Dimensions in mm.

Spare parts and accessories at the end of this chapter.

MQL version available.

Special versions on request.

○ Products not on stock (delivery time on request).

● Available ex stock Germany.

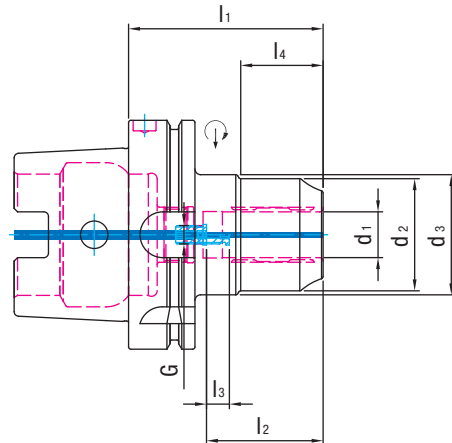
# HPH - High Performance Holder

## DIN 69893-A

Short and heavy version

### Quality characteristics:

- Extremely high holding forces
- Vibration damping effect
- Extremely high transferable torque
- Usable for all commercial shank types



Nominal size HSK-A	Dimensions							G	Weight kg	Ref. No.	SAP Ref. No.	On stock
	d <sub>1</sub>	d <sub>2</sub>	d <sub>3</sub>	l <sub>1</sub>	l <sub>2</sub>	l <sub>3</sub>	l <sub>4</sub>					
100	20	49	52,5	85	51	10	36	M8x1	2,6	16.408.100.20.Z	30436113	●
100	32	70	75	100	61	10	51	M8x1	3,8	16.408.100.32.Z	30471219	●

Dimensions in mm.

Basic form AD. Please indicate form AD or B in your order.

Spare parts and accessories at the end of this chapter.

MQL version available.

Special versions on request.

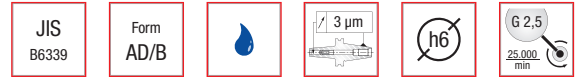
○ Products not on stock (delivery time on request).

● Available ex stock Germany.

# HPH - High Performance Holder

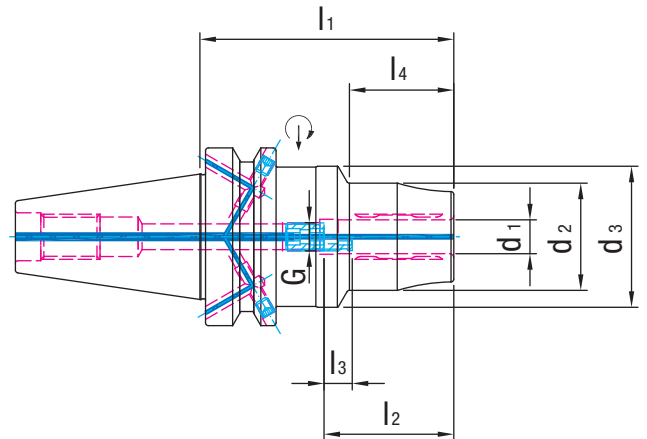
## JIS 6339, Form AD/B

Short and slim version



### Quality characteristics:

- Extremely high holding forces
- Vibration damping effect
- Extremely high transferable torque
- Usable for all commercial shank types



Nominal size BT	Dimensions							G	Weight kg	Ref. No.	SAP Ref. No.	On stock
	d <sub>1</sub>	d <sub>2</sub>	d <sub>3</sub>	l <sub>1</sub>	l <sub>2</sub>	l <sub>3</sub>	l <sub>4</sub>					
40	6	32	50	80	37	10	26	M5	1,6	22.407.40.06.Z	30466220	●
40	8	34	50	80	37	10	27	M6	1,6	22.407.40.08.Z	30466222	●
40	10	36	50	85	41	10	32	M8x1	1,6	22.407.40.10.Z	30466224	●
40	12	38	50	90	46	10	37	M10x1	1,7	22.407.40.12.Z	30466234	●
40	14	40	50	90	46	10	37	M10x1	1,8	22.407.40.14.Z	30466239	●
40	16	42	50	95	49	10	42	M12x1	1,8	22.407.40.16.Z	30466242	●
40	18	44	50	95	49	10	42	M12x1	1,9	22.407.40.18.Z	30466244	●
40	20	48	50	100	51	10	45	M16x1	1,9	22.407.40.20.Z	30466246	●
40	25	57	50	110	57	10	60	M16x1	2,4	22.407.40.25.Z	30466250	●
40	32	63	50	120	61	10	65	M16x1	2,7	22.407.40.32.Z	30466252	●

Dimensions in mm.

Basic form AD. Please indicate form AD or B in your order.

Spare parts and accessories at the end of this chapter.

MQL version available.

Special versions on request.

○ Products not on stock (delivery time on request).

● Available ex stock Germany.

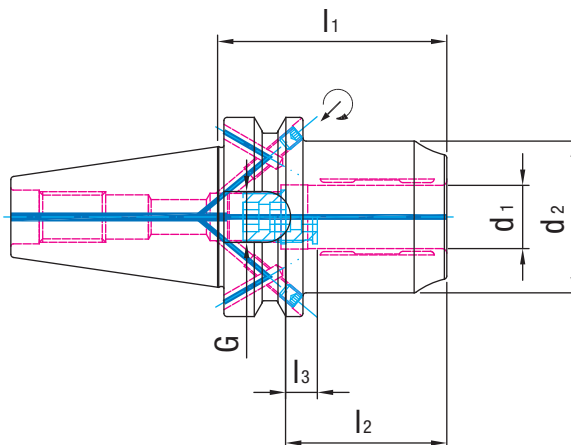
# HPH - High Performance Holder

## JIS 6339, Form AD/B

Short and heavy version

### Quality characteristics:

- Extremely high holding forces
- Vibration damping effect
- Extremely high transferable torque
- Usable for all commercial shank types



Nominal size BT	Dimensions					G	Weight kg	Ref. No.	SAP Ref. No.	On stock
	d <sub>1</sub>	d <sub>2</sub>	l <sub>1</sub>	l <sub>2</sub>	l <sub>3</sub>					
40	20	49	72,5	51	10	M16x1	1,4	22.408.40.20.Z	30372364	●

Dimensions in mm.

Basic form AD. Please indicate form AD or B in your order.

Spare parts and accessories at the end of this chapter.

MQL version available.

Special versions on request.

○ Products not on stock (delivery time on request).

● Available ex stock Germany.

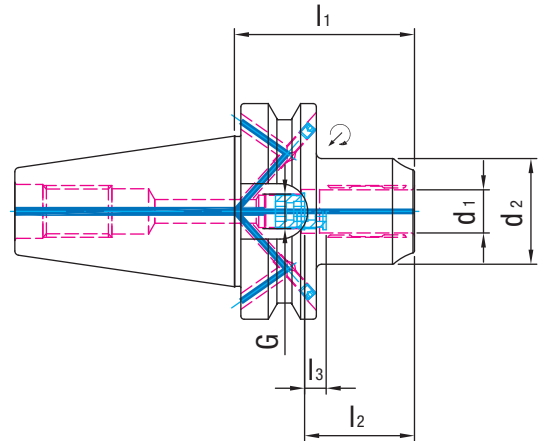
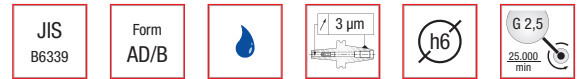
# HPH - High Performance Holder

## JIS 6339, Form AD/B

Short and heavy version

### Quality characteristics:

- Extremely high holding forces
- Vibration damping effect
- Extremely high transferable torque
- Usable for all commercial shank types



Nominal size BT	Dimensions					G	Weight kg	Ref. No.	SAP Ref. No.	On stock
	$d_1$	$d_2$	$l_1$	$l_2$	$l_3$					
50	20	49	83,5	51	10	M16x1	4,0	22.408.50.20.Z	30435871	●
50	32	72	90	61	10	M16x1	4,6	22.408.50.32.Z	30471206	●

Dimensions in mm.

Spare parts and accessories at the end of this chapter.

MQL version available.

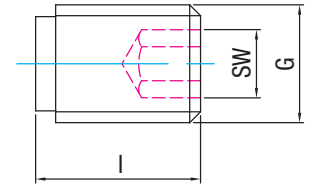
Special versions on request.

○ Products not on stock (delivery time on request).

● Available ex stock Germany.

## Clamping screw HPH

Pressure operation screw



G	SW	I	Weight kg	Ref. No.	SAP Ref. No.	On stock
Tr 10x1,5	SW5	11	0,007	89.122.151	30350661	●
Tr 10x1,5	SW5	14	0,009	89.122.109	30308559	●

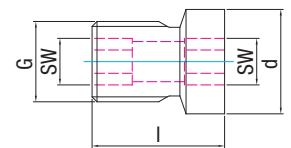
## Allocation clamping screw HPH

Tempered pressure screw trapezoidal thread - for the secure transfer of the high clamping force  
 DLC coated pressure screw - for an optimal wear-protection

Ref. No.	SAP Ref. No.	G	SW	I	For High Performance Holder
89.122.151	30350661	Tr 10x1,5	SW5	11	16.408.63.20.Z; 16.408.100.20.Z
89.122.109	30308559	Tr 10x1,5	SW5	14	alle weiteren/any others

## Set screw HPH

For length adjustment



G	SW	d	I	Weight kg	Ref. No.	SAP Ref. No.	On stock
M5	SW2,5	5,5	15	0,001	89.122.119	30340240	●
M6	SW3	7	15	0,002	89.122.120	30340241	●
M8x1	SW3	9	15,5	0,005	89.122.121	30340242	●
M10x1	SW5	9,8	15,5	0,006	89.122.122	30340243	●
M10x1	SW5	13	16,5	0,008	89.122.123	30340244	●
M12x1	SW5	15	18	0,015	89.122.124	30340245	●
M12x1	SW5	17	20	0,02	89.122.125	30340246	●
M16x1	SW5	15,8	18,5	0,03	89.122.126	30340247	●
M16x1	SW5	19,8	22	0,05	89.122.127	30340249	●
M16x1	SW5	25,8	25	0,07	89.122.128	30340250	●

○ Products not on stock (delivery time on request).

● Available ex stock Germany.



## Allocation set screw HPH

### Quality characteristics:

- Stop screw with flange
- Through bore with double sided hexagon socket
- Optimal coolant supply
- Two-sided operation
- Stop dimension matched to MQL stop screw
- Simple conversion of stop system possible

For HSK-A63; HSK-A100; SK40

Ref. No.	SAP Ref. No.	G	SW	For diameter
89.122.119	30340240	M5	SW2,5	6
89.122.120	30340241	M6	SW3	8
89.122.121	30340242	M8x1	SW3	10
89.122.122	30340243	M10x1	SW5	12
89.122.123	30340244	M10x1	SW5	14
89.122.124	30340245	M12x1	SW5	16
89.122.125	30340246	M12x1	SW5	18
89.122.126	30340247	M16x1	SW5	20
89.122.127	30340249	M16x1	SW5	25
89.122.128	30340250	M16x1	SW5	32

For BT 40 only only „IC“ design - thereby short projecting length

Ref. No.	SAP Ref. No.	G	SW	For diameter
89.122.88	30252539	M5	SW 2,5	6
89.122.89	30252540	M6	SW 3	8
89.122.23	30252541	M8x1	SW 3	10
89.122.90	30252542	M10x1	SW 5	12
89.122.90	30252542	M10x1	SW 5	14
89.122.24	30252543	M12x1	SW 5	16
89.122.24	30252543	M12x1	SW 5	18
89.122.91	30252547	M16x1	SW 8	20
89.122.91	30252547	M16x1	SW 8	25
89.122.91	30252547	M16x1	SW 8	32

For short and heavy version only „IC“ design - thereby short projecting length

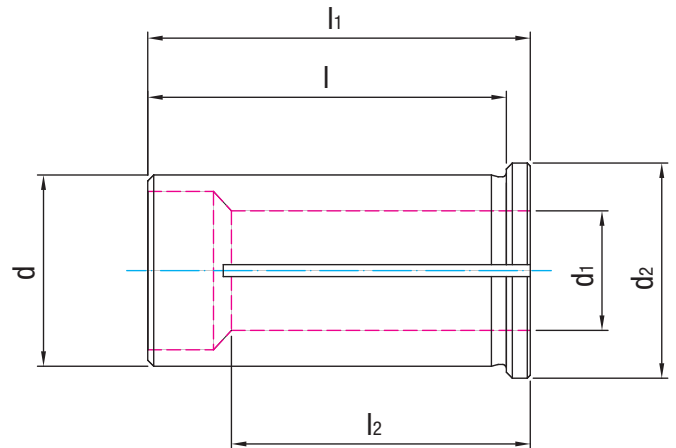
Ref. No.	SAP Ref. No.	G	SW	For diameter
89.122.23	30252541	M8x1	SW 3	20 (HSK)
89.122.91	30252547	M16x1	SW 8	20 (ISO/BT)

# Reducing sleeve, coolant resistant

Slotted, for flexible reduction of diameter

## Quality characteristics:

- Coolant resistant up to 80 bar
- High quality hardened spring steel
- Increases the transferable torque
- Especially for hydraulic chucks
- Suitable for all WTE HPH chucks and WTE hydraulic chucks



Dimensions						Ref. No.	SAP Ref. No.	On stock
d	d <sub>1</sub>	d <sub>2</sub>	l	l <sub>1</sub>	l <sub>2</sub>			
12	3	16	40	44	29	40.456.12.03.Z	30251059	●
12	4	16	40	44	29	40.456.12.04.Z	30251060	●
12	5	16	40	44	29	40.456.12.05.Z	30251061	●
12	6	16	40	44	36	40.456.12.06.Z	30251062	●
12	7	16	40	44	37	40.456.12.07.Z	30251063	○
12	8	16	40	44	37	40.456.12.08.Z	30251064	●
12	9	16	40	44	37	40.456.12.09.Z	30251065	○
12	10	16	40	44	40	40.456.12.10.Z	30251066	●
20	3	25	50	54	28	40.456.20.03.Z	30251067	●
20	4	25	50	54	28	40.456.20.04.Z	30251068	●
20	5	25	50	54	28	40.456.20.05.Z	30251069	●
20	6	25	50	54	36	40.456.20.06.Z	30251070	●
20	7	25	50	54	38	40.456.20.07.Z	30251071	○
20	8	25	50	54	37	40.456.20.08.Z	30251072	●
20	9	25	50	54	38	40.456.20.09.Z	30251073	○
20	10	25	50	54	40	40.456.20.10.Z	30251074	●
20	11	25	50	54	40	40.456.20.11.Z	30251075	○
20	12	25	50	54	45	40.456.20.12.Z	30251076	●
20	13	25	50	54	45	40.456.20.13.Z	30251077	○
20	14	25	50	54	45	40.456.20.14.Z	30251078	●
20	15	25	50	54	45	40.456.20.15.Z	30251079	○
20	16	25	50	54	48	40.456.20.16.Z	30251080	●

MQL version available.

Special versions on request.

○ Products not on stock (delivery time on request).

● Available ex stock Germany.

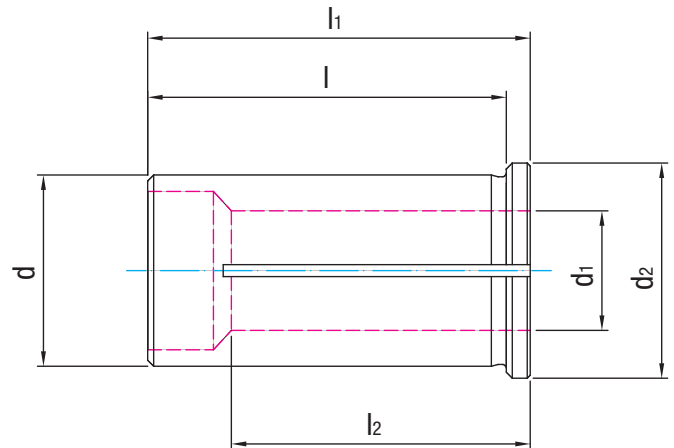
Dimensions in mm.

# Reducing sleeve, coolant resistant

Slotted, for flexible reduction of diameter

## Quality characteristics:

- Coolant resistant up to 80 bar
- High quality hardened spring steel
- Increases the transferable torque
- Especially for hydraulic chucks
- Suitable for all WTE HPH chucks and WTE hydraulic chucks



Dimensions						Ref. No.	SAP Ref. No.	On stock
d	d <sub>1</sub>	d <sub>2</sub>	l	l <sub>1</sub>	l <sub>2</sub>			
25	3	30	56	60	29	40.456.25.03.Z	30251081	○
25	4	30	56	60	29	40.456.25.04.Z	30251082	○
25	5	30	56	60	29	40.456.25.05.Z	30251083	○
25	6	30	56	60	37	40.456.25.06.Z	30251084	○
25	7	30	56	60	37	40.456.25.07.Z	30251085	○
25	8	30	56	60	37	40.456.25.08.Z	30251086	○
25	9	30	56	60	38	40.456.25.09.Z	30251087	○
25	10	30	56	60	40	40.456.25.10.Z	30251088	○
25	12	30	56	60	46	40.456.25.12.Z	30251089	○
25	14	30	56	60	47	40.456.25.14.Z	30251090	○
25	16	30	56	60	48	40.456.25.16.Z	30251091	○
25	18	30	56	60	48	40.456.25.18.Z	30251092	○
25	20	30	56	60	50	40.456.25.20.Z	30251093	○
32	6	36	60	64	36	40.456.32.06.Z	30251094	●
32	7	36	60	64	37	40.456.32.07.Z	30251095	○
32	8	36	60	64	36	40.456.32.08.Z	30251096	●
32	9	36	60	64	37	40.456.32.09.Z	30251097	○
32	10	36	60	64	40	40.456.32.10.Z	30251098	●
32	11	36	60	64	40	40.456.32.11.Z	30251099	○
32	12	36	60	64	45	40.456.32.12.Z	30251100	●
32	13	36	60	64	45	40.456.32.13.Z	30251101	○
32	14	36	60	64	46	40.456.32.14.Z	30251102	●
32	15	36	60	64	46	40.456.32.15.Z	30251103	○
32	16	36	60	64	48	40.456.32.16.Z	30251104	●
32	17	36	60	64	48	40.456.32.17.Z	30251105	○
32	18	36	60	64	49	40.456.32.18.Z	30251106	●
32	19	36	60	64	49	40.456.32.19.Z	30251107	○
32	20	36	60	64	50	40.456.32.20.Z	30251108	●
32	22	36	60	64	50	40.456.32.22.Z	30251109	○
32	25	36	60	64	56	40.456.32.25.Z	30251110	●

MQL version available.

Special versions on request.

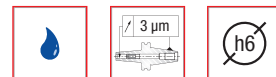
○ Products not on stock (delivery time on request).

● Available ex stock Germany.

Dimensions in mm.

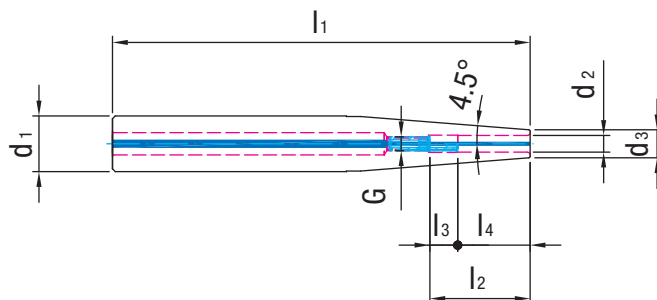
## Shrink extension

For use as a hydraulic chuck extension



### Quality characteristics:

- Increases the transferable torque
- Especially for hydraulic chucks
- Suitable for all WTE HPH chucks and WTE hydraulic chucks



Dimensions							G	Weight kg	Ref. No.	SAP Ref. No.	On stock
d <sub>1</sub>	d <sub>2</sub>	d <sub>3</sub>	l <sub>1</sub>	l <sub>2</sub>	l <sub>3</sub>	l <sub>4</sub>					
12	3	8	150			12		0,1	40.357.12.03.Z	30344729	●
12	4	8	150			16		0,1	40.357.12.04.Z	30344730	●
12	5	10	150			20		0,1	40.357.12.05.Z	30344731	●
12	6	10	150	36	10	26	M5	0,1	40.357.12.06.Z	30344732	●
16	3	10	150			12		0,2	40.357.16.03.Z	30344733	●
16	4	10	150			16		0,2	40.357.16.04.Z	30344734	●
16	5	10	150			20		0,2	40.357.16.05.Z	30344735	●
16	6	10	150	36	10	26	M5	0,2	40.357.16.06.Z	30344736	●
16	8	12	150	36	10	26	M6	0,2	40.357.16.08.Z	30344737	●
20	3	10	150			12		0,3	40.357.20.03.Z	30344738	●
20	4	10	150			16		0,3	40.357.20.04.Z	30344739	●
20	5	10	150			20		0,3	40.357.20.05.Z	30344740	●
20	6	10	150	36	10	26	M5	0,3	40.357.20.06.Z	30344741	●
20	8	12	150	36	10	26	M6	0,3	40.357.20.08.Z	30344742	●
20	10	14	150	42	10	32	M6	0,3	40.357.20.10.Z	30344743	●
20	12	16	150	47	10	37	M10x1	0,3	40.357.20.12.Z	30344744	●

MQL version available.

Special versions on request.

○ Products not on stock (delivery time on request).

● Available ex stock Germany.

Dimensions in mm.

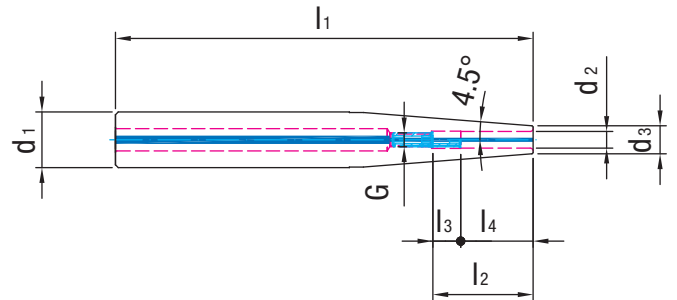
## Shrink extension

For use as a hydraulic chuck extension



### Quality characteristics:

- Increases the transferable torque
- Especially for hydraulic chucks
- Suitable for all WTE HPH chucks and WTE hydraulic chucks



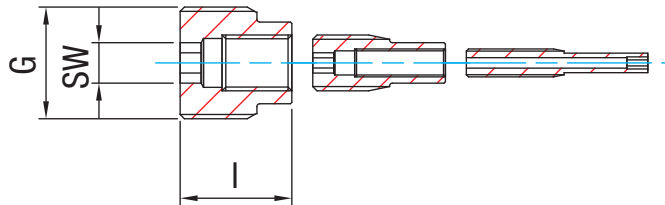
Dimensions							G	Weight kg	Ref. No.	SAP Ref. No.	On stock
d <sub>1</sub>	d <sub>2</sub>	d <sub>3</sub>	l <sub>1</sub>	l <sub>2</sub>	l <sub>3</sub>	l <sub>4</sub>					
25	3	10	150			12		0,5	40.357.25.03.Z	30344745	●
25	4	10	150			16		0,5	40.357.25.04.Z	30344746	●
25	5	15	150			20		0,5	40.357.25.05.Z	30344747	●
25	6	20	150	36	10	26	M5	0,5	40.357.25.06.Z	30344748	●
25	8	20	150	36	10	26	M6	0,5	40.357.25.08.Z	30344749	●
25	10	20	150	42	10	32	M6	0,5	40.357.25.10.Z	30344750	●
25	12	20	150	47	10	37	M10x1	0,5	40.357.25.12.Z	30344751	●
25	14	20	150	47	10	37	M10x1	0,4	40.357.25.14.Z	30344752	●
25	16	22	150	50	10	40	M10x1	0,4	40.357.25.16.Z	30344753	●
32	6	20	150	36	10	26	M5	0,8	40.357.32.06.Z	30344754	●
32	8	20	150	36	10	26	M6	0,8	40.357.32.08.Z	30344755	●
32	10	24	150	42	10	32	M6	0,8	40.357.32.10.Z	30344756	●
32	12	24	150	47	10	37	M10x1	0,8	40.357.32.12.Z	30344757	●
32	14	27	150	47	10	37	M10x1	0,8	40.357.32.14.Z	30344758	●
32	16	27	150	50	10	40	M10x1	0,8	40.357.32.16.Z	30344759	●
32	18	27	150	50	10	40	M10x1	0,7	40.357.32.18.Z	30337832	●
32	20	27	150	52	10	42	M10x1	0,7	40.357.32.20.Z	30337833	●

# AAS Set screw

For use of reducing sleeves, for axial length adjustment

## Quality characteristics:

- Hardened steel with less distortion
- Save axial stop
- Optimal coolant supply
- To operate on both sides
- Optimal rotation of stop system



### AAS 12 for Ref. No. 40.456.12.xx

G	SW	I	Weight kg	Ref. No.	SAP Ref. No.	On stock
M10x1	SW2,5	16	0,002	89.122.103	30308896	●
M4x0,5	SW1,5	26	0,001	89.122.101	30308901	●

### AAS 20 for Ref. No. 40.456.20.xx

G	SW	I	Weight kg	Ref. No.	SAP Ref. No.	On stock
M16x1	SW 5	16	0,002	89.122.99	30308897	●
M8x1	SW 2,5	19	0,002	89.122.100	30308899	●
M4x0,5	SW 1,5	26	0,001	89.122.101	30308901	●

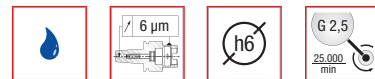
### AAS 25 for Ref. No. 40.456.25.xx

G	SW	I	Weight kg	Ref. No.	SAP Ref. No.	On stock
M16x1	SW 5	20	0,002	89.122.104	30308904	●
M8x1	SW 2,5	19	0,002	89.122.100	30308899	●
M4x0,5	SW 1,5	26	0,001	89.122.101	30308901	●

### AAS 32 for Ref. No. 40.456.32.xx

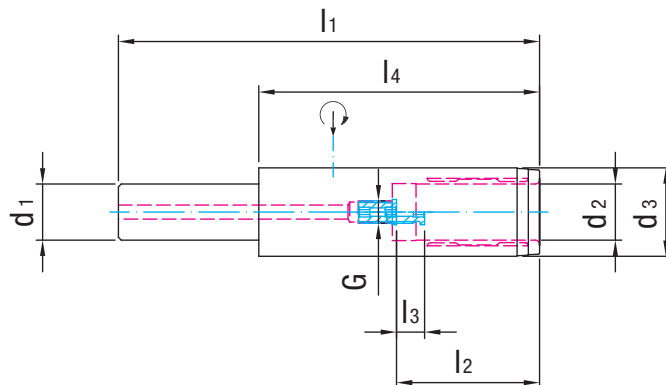
G	SW	I	Weight kg	Ref. No.	SAP Ref. No.	On stock
M16x1	SW5	20	0,002	89.122.104	30308904	●
M8x1	SW2,5	19	0,002	89.122.100	30308899	●

## Hydraulic chuck extension



### Quality characteristics:

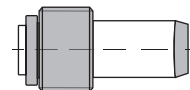
- Increases the transferable torque
- Especially for hydraulic chucks
- Suitable for all WTE HPH chucks and WTE hydraulic chucks



Dimensions							G	Weight kg	Ref. No.	SAP Ref. No.	On stock
d <sub>1</sub>	d <sub>2</sub>	d <sub>3</sub>	l <sub>1</sub>	l <sub>2</sub>	l <sub>3</sub>	l <sub>4</sub>					
20	12	25	150	46	10	100	M6	0,5	40.557.20.12.Z	30479021	○
20	20	31,5	150	51	10	100	M10x1	0,6	40.557.20.20.Z	30479022	○
32	20	31,5	150	51	10	90	M10x1	0,7	40.557.32.20.Z	30479024	○
32	20	31,5	200	51	10	90	M10x1	0,8	40.557.32.20.Z/200	30479025	○

## Coolant tube

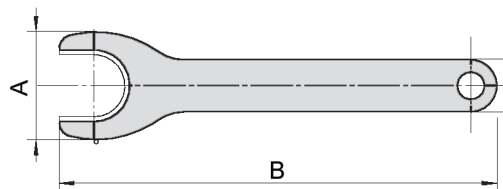
For DIN 69893-A/E



HSK	Weight kg	Ref. No.	SAP Ref. No.	On stock
32	0,01	89.220.72	30326003	○
40	0,01	89.220.73	30326004	○
50	0,02	89.220.74	30326005	●
63	0,02	89.220.75	30326006	●
80	0,02	89.220.76	30326007	○
100	0,03	89.220.77	30326008	○

## Extractor

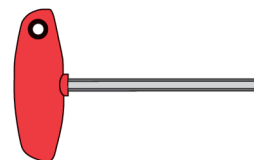
For easy removal of reduction sleeves from  
WTE hydraulic chucks



Für	A	B	Ref. No.	SAP Ref. No.	On stock
HS 12	24,6	100	89.206.26	30251198	●
HS 20	38,0	160	89.206.27	30251199	●
HS 25	51,0	180	89.206.28	30251200	●
HS 32	63,0	200	89.206.29	30251201	●

## Allen „T“-Wrench

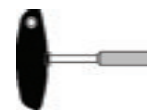
For axial length adjustment



SW	l	Weight kg	Ref. No.	SAP Ref. No.	On stock
2,5	150	0,02	89.206.01	10034540	●
3	150	0,02	89.206.02	10013347	●
5	150	0,06	89.206.03	10041807	●
8	150	0,1	89.206.04	10041808	●

## Socket wrench

For coolant tube



SW	Weight kg	Ref. No.	SAP Ref. No.	On stock
32	0,01	89.206.20	30336671	○
40	0,01	89.206.21	30336672	○
50	0,01	89.206.22	30336673	○
63	0,01	89.206.23	30336675	●
80	0,02	89.206.24	10074774	○
100	0,02	89.206.25	30336676	○



## ISO protective gloves



Weight kg	Ref. No.	SAP Ref. No.	On stock
0,20	98.100.040	30336681	●





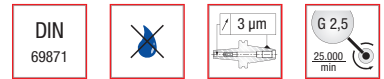
## Shrink fit chucks

Shank type ISO 30	Page	86-87
Shank type ISO 40	Page	88-94
Shank type ISO 50	Page	95-96
Shank type HSK-A 32	Page	97
Shank type HSK-A 40	Page	98-99
Shank type HSK-A 50	Page	100-101
Shank type HSK-A 63	Page	102-106
Shank type HSK-A 80	Page	107-108
Shank type HSK-A 100	Page	109-110
Shank type HSK-C 32	Page	111
Shank type HSK-C 40	Page	112-113
Shank type HSK-C 50	Page	114-115
Shank type HSK-C 63	Page	116-117
Shank type HSK-E 32	Page	118
Shank type HSK-E 40	Page	119-121
Shank type HSK-E 50	Page	122-124
Shank type HSK-E 63	Page	125-128
Shank type HSK-F 40	Page	129
Shank type HSK-F 63	Page	130-133
Shank type BT 30	Page	134
Shank type BT 40	Page	135-138
Shank type BT 50	Page	139-140
Spare parts and accessories	Page	141-144

# Shrink fit chuck

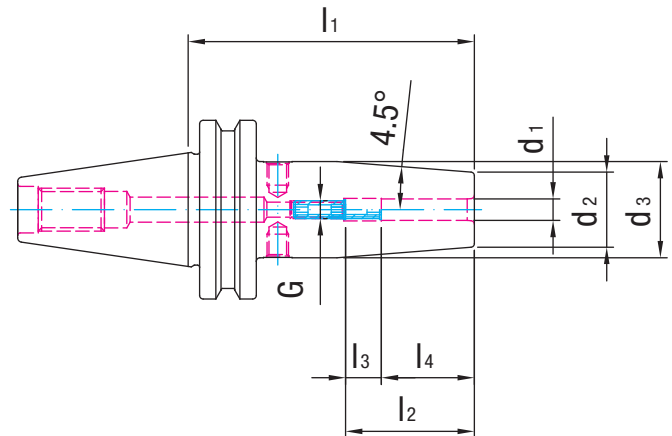
## DIN 69871

For wood working



### Quality characteristics:

- High transferable torque
- High accuracy of cyclic running
- 4,5° program
- Varied outer contour available
- High-strength hot forming tool steel



Nominal size ISO	Dimensions							G	Weight kg	Ref. No.	SAP Ref. No.	On stock
	d <sub>1</sub>	d <sub>2</sub>	d <sub>3</sub>	l <sub>1</sub>	l <sub>2</sub>	l <sub>3</sub>	l <sub>4</sub>					
30	3	10	17	80	28	16	12	M6	0,5	14.306.30.03	30337133	○
30	4	15	22	80	28	12	16	M6	0,5	14.306.30.04	30337134	○
30	5	15	22	80	30	10	20	M6	0,5	14.306.30.05	30337135	○
30	6	21	27	80	36	10	26	M5	0,6	14.306.30.06	30337136	○
30	8	21	27	80	36	10	26	M6	0,6	14.306.30.08	30337137	○
30	10	24	32	80	41	10	31	M8x1	0,6	14.306.30.10	30337138	○
30	12	24	32	80	47	10	37	M10x1	0,7	14.306.30.12	30337139	○
30	14	27	34	80	47	10	37	M10x1	0,7	14.306.30.14	30337140	○
30	16	27	34	80	50	10	40	M12x1	0,7	14.306.30.16	30337141	○
30	18	33	42	80	50	10	40	M12x1	0,8	14.306.30.18	30337142	○
30	20	33	42	80	52	10	42	M16x1	0,8	14.306.30.20	30337143	○

Dimensions in mm.

Shrink extensions at the end of this chapter.

Spare parts and accessories at the end of this chapter.

Special versions on request.

○ Products not on stock (delivery time on request).

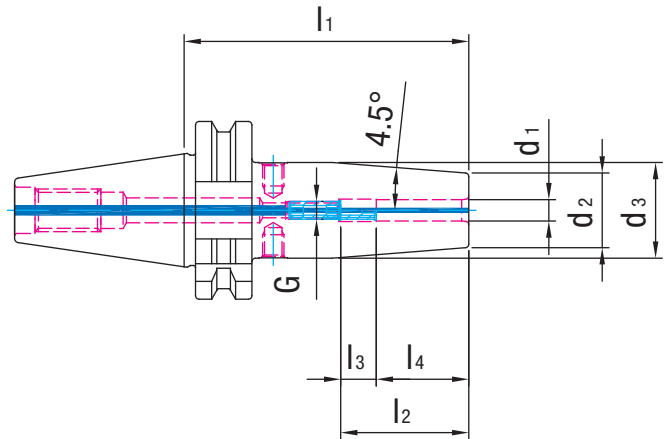
● Available ex stock Germany.

# Shrink fit chuck DIN 69871-AD



## Quality characteristics:

- High transferable torque
- High accuracy of cyclic running
- 4,5° program
- Varied outer contour available
- High-strength hot forming tool steel
- Additional cooling ducts possible



Nominal size ISO	Dimensions							G	Weight kg	Ref. No.	SAP Ref. No.	On stock
	d <sub>1</sub>	d <sub>2</sub>	d <sub>3</sub>	l <sub>1</sub>	l <sub>2</sub>	l <sub>3</sub>	l <sub>4</sub>					
30	3	10	17	80	28	16	12	M6	0,5	15.306.30.03.Z	30337201	●
30	4	15	22	80	28	12	16	M6	0,5	15.306.30.04.Z	30337202	●
30	5	15	22	80	30	10	20	M6	0,5	15.306.30.05.Z	30337203	●
30	6	21	27	80	36	10	26	M5	0,6	15.306.30.06.Z	30337204	●
30	8	21	27	80	36	10	26	M6	0,6	15.306.30.08.Z	30337205	●
30	10	24	32	80	41	10	31	M8x1	0,6	15.306.30.10.Z	30337206	●
30	12	24	32	80	47	10	37	M10x1	0,7	15.306.30.12.Z	30337207	●
30	14	27	34	80	47	10	37	M10x1	0,7	15.306.30.14.Z	30337208	●
30	16	27	34	80	50	10	40	M12x1	0,7	15.306.30.16.Z	30337209	●
30	18	33	42	80	50	10	40	M12x1	0,8	15.306.30.18.Z	30337210	●
30	20	33	42	80	52	10	42	M16x1	0,8	15.306.30.20.Z	30337211	●

Dimensions in mm.

Coolant supply acc. DIN 69871-AD.

Space for data carrier acc. DIN 69873-E10.

Shrink extensions at the end of this chapter.

Spare parts and accessories at the end of this chapter.

Special versions on request.

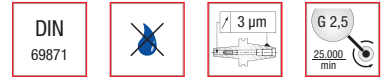
○ Products not on stock (delivery time on request).

● Available ex stock Germany.

# Shrink fit chuck

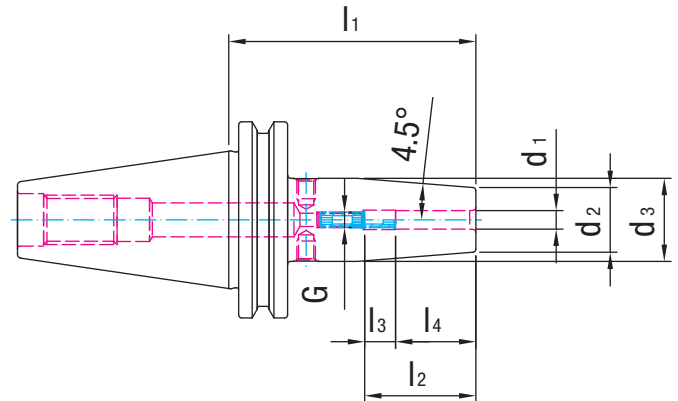
## DIN 69871

For wood working



### Quality characteristics:

- High transferable torque
- High accuracy of cyclic running
- 4,5° program
- Varied outer contour available
- High-strength hot forming tool steel



Nominal size ISO	Dimensions							G	Weight kg	Ref. No.	SAP Ref. No.	On stock
	d <sub>1</sub>	d <sub>2</sub>	d <sub>3</sub>	l <sub>1</sub>	l <sub>2</sub>	l <sub>3</sub>	l <sub>4</sub>					
40	3	10	17	80	28	16	12	M6	0,9	14.306.40.03	30337144	○
40	4	15	22	80	28	12	16	M6	0,9	14.306.40.04	30337147	○
40	5	15	22	80	30	10	20	M6	0,9	14.306.40.05	30337150	○
40	6	21	27	80	36	10	26	M5	1,0	14.306.40.06	30337153	○
40	8	21	27	80	36	10	26	M6	1,0	14.306.40.08	30337156	○
40	10	24	32	80	41	10	31	M8x1	1,0	14.306.40.10	30337159	○
40	12	24	32	80	47	10	37	M10x1	1,0	14.306.40.12	30337162	○
40	14	27	34	80	47	10	37	M10x1	1,0	14.306.40.14	30337165	○
40	16	27	34	80	50	10	40	M12x1	1,0	14.306.40.16	30337168	○
40	18	33	42	80	50	10	40	M12x1	1,1	14.306.40.18	30337171	○
40	20	33	42	80	52	10	42	M16x1	1,1	14.306.40.20	30337174	○
40	25	44	53	100	58	10	48	M16x1	1,6	14.306.40.25	30337177	○
40	32	44	53	100	62	10	48	M16x1	1,4	14.306.40.32	30337180	○

Dimensions in mm.

Shrink extensions at the end of this chapter.

Spare parts and accessories at the end of this chapter.

Special versions on request.

○ Products not on stock (delivery time on request).

● Available ex stock Germany.

# Shrink fit chuck

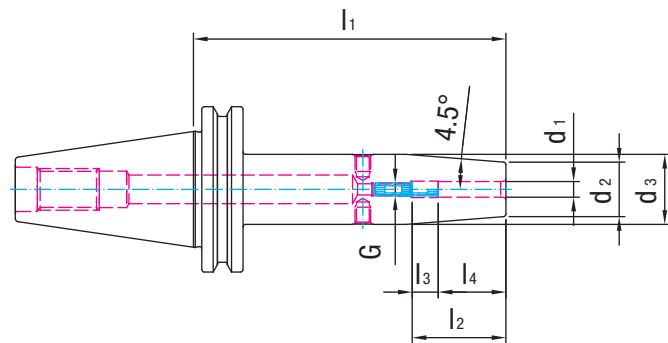
## DIN 69871

For wood working, long version



### Quality characteristics:

- High transferable torque
- High accuracy of cyclic running
- 4,5° program
- Varied outer contour available
- High-strength hot forming tool steel



Nominal size ISO	Dimensions							G	Weight kg	Ref. No.	SAP Ref. No.	On stock
	d <sub>1</sub>	d <sub>2</sub>	d <sub>3</sub>	l <sub>1</sub>	l <sub>2</sub>	l <sub>3</sub>	l <sub>4</sub>					
40	3	10	20	120			12		0,9	14.306.40.03/120	30337145	○
40	3	10	20	160			12		1,0	14.306.40.03/160	30337146	○
40	4	15	22	120			16		1,0	14.306.40.04/120	30337148	○
40	4	15	22	160			16		1,1	14.306.40.04/160	30337149	○
40	5	15	22	120			20		1,0	14.306.40.05/120	30337151	○
40	5	15	22	160			20		1,1	14.306.40.05/160	30337152	○
40	6	21	27	120	36	10	26	M5	1,1	14.306.40.06/120	30337154	○
40	6	21	27	160	36	10	26	M5	1,3	14.306.40.06/160	30337155	○
40	8	21	27	120	36	10	26	M6	1,1	14.306.40.08/120	30337157	○
40	8	21	27	160	36	10	26	M6	1,3	14.306.40.08/160	30337158	○
40	10	24	32	120	41	10	31	M8x1	1,2	14.306.40.10/120	30337160	○
40	10	24	32	160	41	10	31	M8x1	1,5	14.306.40.10/160	30337161	○
40	12	24	32	120	47	10	37	M10x1	1,2	14.306.40.12/120	30337163	○
40	12	24	32	160	47	10	37	M10x1	1,5	14.306.40.12/160	30337164	○
40	14	27	34	120	47	10	37	M10x1	1,3	14.306.40.14/120	30337166	○
40	14	27	34	160	47	10	37	M10x1	1,6	14.306.40.14/160	30337167	○
40	16	27	34	120	50	10	40	M12x1	1,3	14.306.40.16/120	30337169	○
40	16	27	34	160	50	10	40	M12x1	1,6	14.306.40.16/160	30337170	○
40	18	33	42	120	50	10	40	M12x1	1,5	14.306.40.18/120	30337172	○
40	18	33	42	160	50	10	40	M12x1	1,7	14.306.40.18/160	30337173	○
40	20	33	42	120	52	10	42	M16x1	1,5	14.306.40.20/120	30337175	○
40	20	33	42	160	52	10	42	M16x1	1,8	14.306.40.20/160	30337176	○
40	25	44	53	120	58	10	48	M16x1	1,8	14.306.40.25/120	30337178	○
40	25	44	53	160	58	10	48	M16x1	2,5	14.306.40.25/160	30337179	○
40	32	44	53	120	62	10	48	M16x1	1,7	14.306.40.32/120	30337181	○
40	32	44	53	160	62	10	48	M16x1	2,4	14.306.40.32/160	30337182	○

Dimensions in mm.

Shrink extensions at the end of this chapter.

Spare parts and accessories at the end of this chapter.

Special versions on request.

○ Products not on stock (delivery time on request).

● Available ex stock Germany.

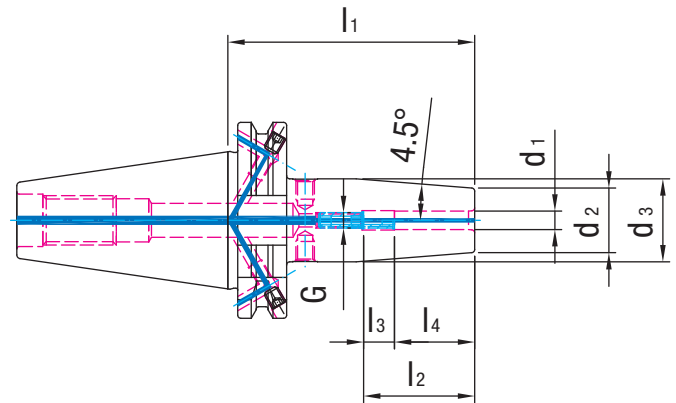
# Shrink fit chuck

## DIN 69871-AD/B



### Quality characteristics:

- High transferable torque
- High accuracy of cyclic running
- 4,5° program
- Varied outer contour available
- High-strength hot forming tool steel
- Additional cooling ducts possible



Nominal size ISO	Dimensions							G	Weight kg	Ref. No.	SAP Ref. No.	On stock
	d <sub>1</sub>	d <sub>2</sub>	d <sub>3</sub>	l <sub>1</sub>	l <sub>2</sub>	l <sub>3</sub>	l <sub>4</sub>					
40	3	10	17	80	28	16	12	M6	0,9	15.306.40.03.Z	30337097	●
40	4	15	22	80	28	12	16	M6	0,9	15.306.40.04.Z	30337098	●
40	5	15	22	80	30	10	20	M6	0,9	15.306.40.05.Z	30337099	●
40	6	21	27	80	36	10	26	M5	1,0	15.306.40.06.Z	30337100	●
40	7	21	27	80	36	10	26	M5		15.306.40.07.Z	30337101	○
40	8	21	27	80	36	10	26	M6	1,0	15.306.40.08.Z	30337102	●
40	9	21	27	80	36	10	26	M6		15.306.40.09.Z	30337103	○
40	10	24	32	80	41	10	31	M8x1	1,0	15.306.40.10.Z	30337104	●
40	11	24	32	80	41	10	31	M8x1	1,0	15.306.40.11.Z	30337105	○
40	12	24	32	80	47	10	37	M10x1	1,0	15.306.40.12.Z	30337106	●
40	13	24	32	80	47	10	37	M10x1	1,2	15.306.40.13.Z	30337107	○
40	14	27	34	80	47	10	37	M10x1	1,0	15.306.40.14.Z	30337108	●
40	15	27	34	80	47	10	37	M10x1	1,3	15.306.40.15.Z	30337109	○
40	16	27	34	80	50	10	40	M12x1	1,0	15.306.40.16.Z	30337110	●
40	18	33	42	80	50	10	40	M12x1	1,1	15.306.40.18.Z	30337111	●
40	20	33	42	80	52	10	42	M16x1	1,1	15.306.40.20.Z	30337112	●
40	25	44	53	100	58	10	48	M16x1	1,6	15.306.40.25.Z	30337113	●
40	32	44	53	100	62	10	52	M16x1	1,4	15.306.40.32.Z	30337114	●

Dimensions in mm.

Basic form AD. Please indicate form AD or B in your order.

Space for data carrier acc. DIN 69873-E10.

Shrink extensions at the end of this chapter.

Spare parts and accessories at the end of this chapter.

Special versions on request.

○ Products not on stock (delivery time on request).

● Available ex stock Germany.



# Shrink fit chuck

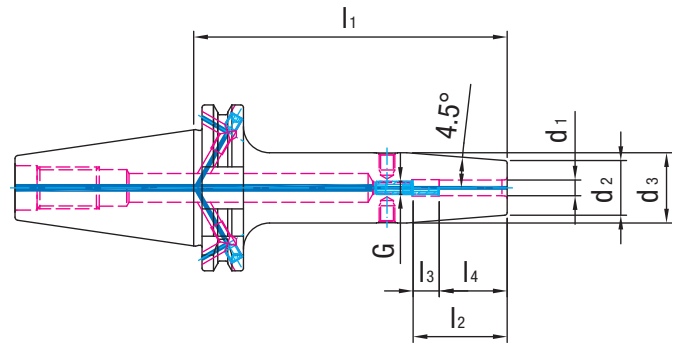
## DIN 69871-AD/B

Long version



### Quality characteristics:

- High transferable torque
- High accuracy of cyclic running
- 4,5° program
- Varied outer contour available
- High-strength hot forming tool steel
- Additional cooling ducts possible



Nominal size ISO	Dimensions							G	Weight kg	Ref. No.	SAP Ref. No.	On stock
	d <sub>1</sub>	d <sub>2</sub>	d <sub>3</sub>	l <sub>1</sub>	l <sub>2</sub>	l <sub>3</sub>	l <sub>4</sub>					
40	3	10	20	120			12		0,9	15.306.40.03.Z/120	30337212	●
40	3	10	20	160			12		1,0	15.306.40.03.Z/160	30337213	●
40	4	15	22	120			16		1,0	15.306.40.04.Z/120	30337214	●
40	4	15	22	160			16		1,1	15.306.40.04.Z/160	30337215	●
40	5	15	22	120			20		1,0	15.306.40.05.Z/120	30337216	●
40	5	15	22	160			20		1,1	15.306.40.05.Z/160	30337217	●
40	6	21	27	120	36	10	26	M5	1,1	15.306.40.06.Z/120	30337218	●
40	6	21	27	160	36	10	26	M5	1,3	15.306.40.06.Z/160	30337219	●
40	8	21	27	120	36	10	26	M6	1,1	15.306.40.08.Z/120	30337220	●
40	8	21	27	160	36	10	26	M6	1,3	15.306.40.08.Z/160	30337221	●
40	10	24	32	120	41	10	31	M8x1	1,2	15.306.40.10.Z/120	30337222	●
40	10	24	32	160	41	10	31	M8x1	1,5	15.306.40.10.Z/160	30337223	●
40	12	24	32	120	47	10	37	M10x1	1,2	15.306.40.12.Z/120	30337224	●
40	12	24	32	160	47	10	37	M10x1	1,5	15.306.40.12.Z/160	30337225	●
40	14	27	34	120	47	10	37	M10x1	1,3	15.306.40.14.Z/120	30337227	●
40	14	27	34	160	47	10	37	M10x1	1,6	15.306.40.14.Z/160	30337228	●
40	16	27	34	120	50	10	40	M12x1	1,3	15.306.40.16.Z/120	30337229	●
40	16	27	34	160	50	10	40	M12x1	1,6	15.306.40.16.Z/160	30337230	●
40	18	33	42	120	50	10	40	M12x1	1,5	15.306.40.18.Z/120	30337231	●
40	18	33	42	160	50	10	40	M12x1	1,7	15.306.40.18.Z/160	30337232	●
40	20	33	42	120	52	10	42	M16x1	1,5	15.306.40.20.Z/120	30337233	●
40	20	33	42	160	52	10	42	M16x1	1,8	15.306.40.20.Z/160	30337234	●
40	25	44	53	120	58	10	48	M16x1	1,8	15.306.40.25.Z/120	30337235	●
40	25	44	53	160	58	10	48	M16x1	2,5	15.306.40.25.Z/160	30337236	●
40	32	44	53	120	62	10	52	M16x1	1,7	15.306.40.32.Z/120	30337237	●
40	32	44	53	160	62	10	52	M16x1	2,4	15.306.40.32.Z/160	30337238	●

Dimensions in mm.

Basic form AD. Please indicate form AD or B in your order.

Space for data carrier acc. DIN 69873-E10.

Shrink extensions at the end of this chapter.

Spare parts and accessories at the end of this chapter.

Special versions on request.

○ Products not on stock (delivery time on request).

● Available ex stock Germany.

# Shrink fit chuck

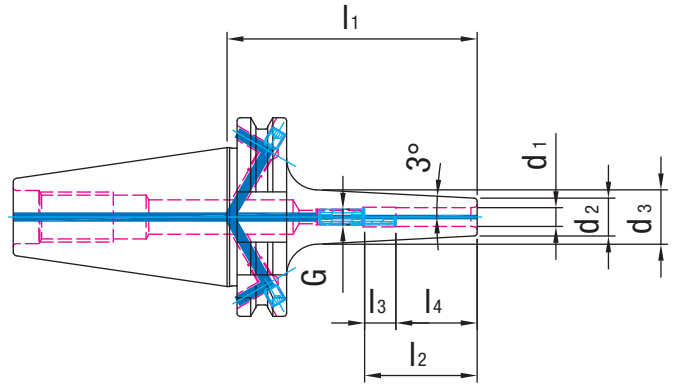
## DIN 69871-AD/B

Slim version, 3°



### Quality characteristics:

- High transferable torque
- High accuracy of cyclic running
- 3° program
- Varied outer contour available
- High-strength hot forming tool steel
- Additional cooling ducts possible



Nominal size ISO	Dimensions							G	Weight kg	Ref. No.	SAP Ref. No.	On stock
	d <sub>1</sub>	d <sub>2</sub>	d <sub>3</sub>	l <sub>1</sub>	l <sub>2</sub>	l <sub>3</sub>	l <sub>4</sub>					
40	3	9	14	80	28	16	12	M6	0,9	15.304.40.03.Z	30385321	○
40	4	10	15	80	28	12	16	M6	0,9	15.304.40.04.Z	30385324	○
40	5	11	16	80	30	10	20	M6	0,9	15.304.40.05.Z	30385327	○
40	6	12	17	80	36	10	26	M5	0,9	15.304.40.06.Z	30385330	○
40	8	14	19	80	36	10	26	M6	0,9	15.304.40.08.Z	30385333	○
40	10	16	21	80	41	10	31	M8x1	0,9	15.304.40.10.Z	30385336	○
40	12	18	23	80	47	10	37	M10x1	0,9	15.304.40.12.Z	30385339	○
40	14	20	26	80	47	10	37	M10x1	0,9	15.304.40.14.Z	30385342	○
40	16	22	28	80	50	10	40	M12x1	1,0	15.304.40.16.Z	30385345	○
40	18	24	30	80	50	10	40	M12x1	1,0	15.304.40.18.Z	30385348	○
40	20	26	32	80	52	10	42	M16x1	1,0	15.304.40.20.Z	30385351	○

Dimensions in mm.

Basic form AD. Please indicate form AD or B in your order.

Space for data carrier acc. DIN 69873-E10.

Shrink extensions at the end of this chapter.

Spare parts and accessories at the end of this chapter.

Special versions on request.

○ Products not on stock (delivery time on request).

● Available ex stock Germany.

# Shrink fit chuck

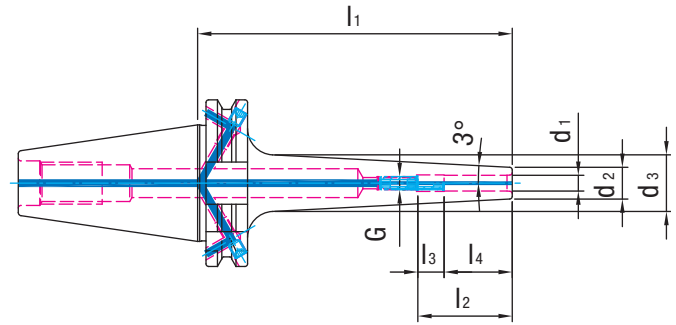
## DIN 69871-AD/B

Long and slim version, 3°



### Quality characteristics:

- High transferable torque
- High accuracy of cyclic running
- 3° program
- Varied outer contour available
- High-strength hot forming tool steel
- Additional cooling ducts possible



Nominal size ISO	Dimensions							G	Weight kg	Ref. No.	SAP Ref. No.	On stock
	d <sub>1</sub>	d <sub>2</sub>	d <sub>3</sub>	l <sub>1</sub>	l <sub>2</sub>	l <sub>3</sub>	l <sub>4</sub>					
40	3	9	16	120			12		0,9	15.304.40.03.Z/120	30385322	○
40	3	9	19	160			12		1,1	15.304.40.03.Z/160	30385323	○
40	4	10	17	120			16		0,9	15.304.40.04.Z/120	30385325	○
40	4	10	20	160			16		1,1	15.304.40.04.Z/160	30385326	○
40	5	11	18	120			20		1,0	15.304.40.05.Z/120	30385328	○
40	5	11	21	160			20		1,1	15.304.40.05.Z/160	30385329	○
40	6	12	22	120	36	10	26	M5	1,0	15.304.40.06.Z/120	30385331	○
40	6	12	24	160	36	10	26	M5	1,1	15.304.40.06.Z/160	30385332	○
40	8	14	24	120	36	10	26	M6	1,0	15.304.40.08.Z/120	30385334	○
40	8	14	26	160	36	10	26	M6	1,2	15.304.40.08.Z/160	30385335	○
40	10	16	26	120	41	10	31	M8x1	1,1	15.304.40.10.Z/120	30385337	○
40	10	16	28	160	41	10	31	M8x1	1,2	15.304.40.10.Z/160	30385338	○
40	12	18	28	120	47	10	37	M10x1	1,1	15.304.40.12.Z/120	30385340	○
40	12	18	30	160	47	10	37	M10x1	1,3	15.304.40.12.Z/160	30385341	○
40	14	20	30	120	47	10	37	M10x1	1,1	15.304.40.14.Z/120	30385343	○
40	14	20	32	160	47	10	37	M10x1	1,3	15.304.40.14.Z/160	30385344	○
40	16	22	32	120	50	10	40	M12x1	1,2	15.304.40.16.Z/120	30385346	○
40	16	22	34	160	50	10	40	M12x1	1,4	15.304.40.16.Z/160	30385347	○
40	18	24	34	120	50	10	40	M12x1	1,2	15.304.40.18.Z/120	30385349	○
40	18	24	36	160	50	10	40	M12x1	1,5	15.304.40.18.Z/160	30385350	○
40	20	26	36	120	52	10	42	M16x1	1,2	15.304.40.20.Z/120	30385352	○
40	20	26	38	160	52	10	42	M16x1	1,6	15.304.40.20.Z/160	30385353	○

Dimensions in mm.

Basic form AD. Please indicate form AD or B in your order.

Space for data carrier acc. DIN 69873-E10.

Shrink extensions at the end of this chapter.

Spare parts and accessories at the end of this chapter.

Special versions on request.

○ Products not on stock (delivery time on request).

● Available ex stock Germany.

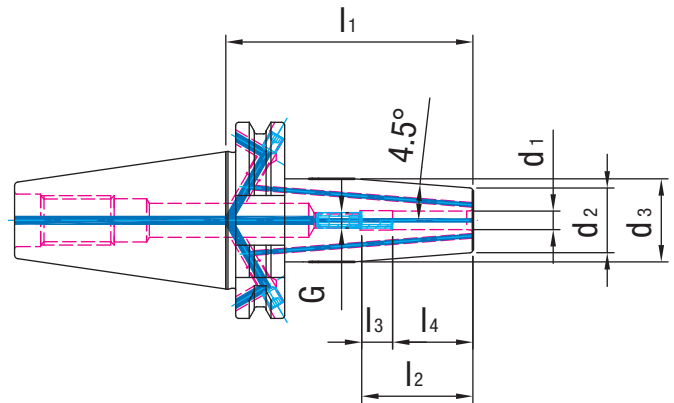
# Shrink fit chuck DIN 69871-AD/B

With coolant supply



## Quality characteristics:

- High transferable torque
- High accuracy of cyclic running
- 4,5° program
- Varied outer contour available
- High-strength hot forming tool steel
- Additional cooling ducts



Nominal size ISO	Dimensions							G	Weight kg	Ref. No.	SAP Ref. No.	On stock
	d <sub>1</sub>	d <sub>2</sub>	d <sub>3</sub>	l <sub>1</sub>	l <sub>2</sub>	l <sub>3</sub>	l <sub>4</sub>					
40	3	10	17	80	28	16	12	M6	0,9	15.305.40.03.Z	30337183	○
40	4	15	22	80	28	12	16	M6	0,9	15.305.40.04.Z	30337184	○
40	5	15	22	80	30	10	20	M6	0,9	15.305.40.05.Z	30337185	○
40	6	21	27	80	36	10	26	M5	1,0	15.305.40.06.Z	30337186	○
40	8	21	27	80	36	10	26	M6	1,0	15.305.40.08.Z	30337188	○
40	10	24	32	80	41	10	31	M8x1	1,0	15.305.40.10.Z	30337189	○
40	12	24	32	80	47	10	37	M10x1	1,0	15.305.40.12.Z	30337190	○
40	14	27	34	80	47	10	37	M10x1	1,0	15.305.40.14.Z	30337191	○
40	16	27	34	80	50	10	40	M12x1	1,0	15.305.40.16.Z	30337192	○
40	18	33	42	80	50	10	40	M12x1	1,1	15.305.40.18.Z	30337193	○
40	20	33	42	80	52	10	42	M16x1	1,1	15.305.40.20.Z	30337194	○
40	25	44	53	100	58	10	48	M16x1	1,6	15.305.40.25.Z	30337197	○
40	32	44	53	100	62	10	52	M16x1	1,4	15.305.40.32.Z	30337198	○

Dimensions in mm.

Basic form AD. Please indicate form AD or B in your order.

Space for data carrier acc. DIN 69873-E10.

Standard version with two coolant bores. Additional coolant bores on request.

Shrink extensions at the end of this chapter.

Spare parts and accessories at the end of this chapter.

Special versions on request.

○ Products not on stock (delivery time on request).

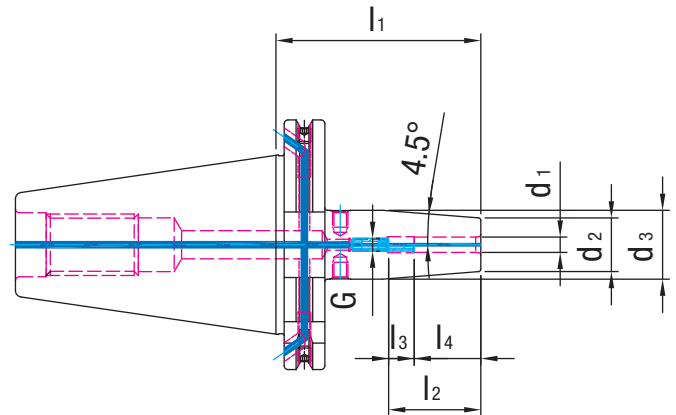
● Available ex stock Germany.

# Shrink fit chuck DIN 69871-AD/B



## Quality characteristics:

- High transferable torque
- High accuracy of cyclic running
- 4,5° program
- Varied outer contour available
- High-strength hot forming tool steel
- Additional cooling ducts possible



Nominal size ISO	Dimensions							G	Weight kg	Ref. No.	SAP Ref. No.	On stock
	d <sub>1</sub>	d <sub>2</sub>	d <sub>3</sub>	l <sub>1</sub>	l <sub>2</sub>	l <sub>3</sub>	l <sub>4</sub>					
50	3	10	17	80			12		2,7	15.306.50.03.Z	30337239	●
50	4	15	22	80			16		2,7	15.306.50.04.Z	30337242	●
50	5	15	22	80			20		2,7	15.306.50.05.Z	30337245	●
50	6	21	27	80	36	10	26	M5	2,8	15.306.50.06.Z	30337248	●
50	8	21	27	80	36	10	26	M6	2,8	15.306.50.08.Z	30337251	●
50	10	24	32	80	41	10	31	M8x1	2,8	15.306.50.10.Z	30337254	●
50	12	24	32	80	47	10	37	M10x1	2,8	15.306.50.12.Z	30337257	●
50	14	27	34	80	47	10	37	M10x1	2,9	15.306.50.14.Z	30337260	●
50	16	27	34	80	50	10	40	M12x1	2,9	15.306.50.16.Z	30337263	●
50	18	33	42	80	50	10	40	M12x1	3,0	15.306.50.18.Z	30337266	●
50	20	33	42	80	52	10	42	M16x1	3,0	15.306.50.20.Z	30337269	●
50	25	44	53	100	58	10	48	M16x1	3,5	15.306.50.25.Z	30337272	●
50	32	44	53	100	62	10	52	M16x1	3,3	15.306.50.32.Z	30337275	●

Dimensions in mm.

Basic form AD. Please indicate form AD or B in your order.

Space for data carrier acc. DIN 69873-E10.

Shrink extensions at the end of this chapter.

Spare parts and accessories at the end of this chapter.

Special versions on request.

○ Products not on stock (delivery time on request).

● Available ex stock Germany.

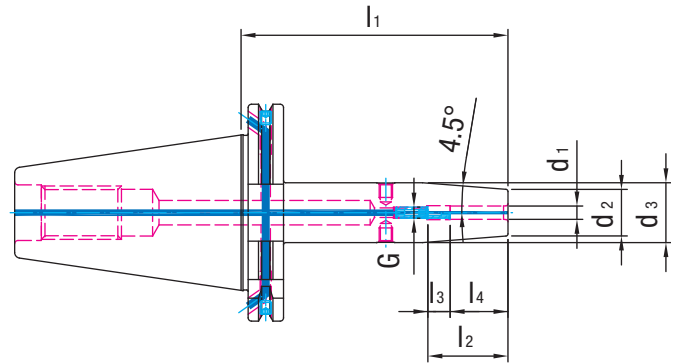
# Shrink fit chuck DIN 69871-AD/B

Long version



## Quality characteristics:

- High transferable torque
- High accuracy of cyclic running
- 4,5° program
- Varied outer contour available
- High-strength hot forming tool steel
- Additional cooling ducts possible



Nominal size ISO	Dimensions							G	Weight kg	Ref. No.	SAP Ref. No.	On stock
	d <sub>1</sub>	d <sub>2</sub>	d <sub>3</sub>	l <sub>1</sub>	l <sub>2</sub>	l <sub>3</sub>	l <sub>4</sub>					
50	3	10	20	120			12		2,8	15.306.50.03.Z.120	30337240	●
50	3	10	20	160			12		3,0	15.306.50.03.Z.160	30337241	●
50	4	15	22	120			16		2,8	15.306.50.04.Z.120	30337243	●
50	4	15	22	160			16		3,0	15.306.50.04.Z.160	30337244	●
50	5	15	22	120			20		2,8	15.306.50.05.Z/120	30337246	●
50	5	15	22	160			20		3,0	15.306.50.05.Z/160	30337247	●
50	6	21	27	120	36	10	26	M5	2,9	15.306.50.06.Z/120	30337249	●
50	6	21	27	160	36	10	26	M5	3,1	15.306.50.06.Z/160	30337250	●
50	8	21	27	120	36	10	26	M6	3,0	15.306.50.08.Z/120	30337252	●
50	8	21	27	160	36	10	26	M6	3,1	15.306.50.08.Z/160	30337253	●
50	10	24	32	120	41	10	31	M8x1	3,0	15.306.50.10.Z/120	30337255	●
50	10	24	32	160	41	10	31	M8x1	3,3	15.306.50.10.Z/160	30337256	●
50	12	24	32	120	47	10	37	M10x1	3,0	15.306.50.12.Z/120	30337258	●
50	12	24	32	160	47	10	37	M10x1	3,3	15.306.50.12.Z/160	30337259	●
50	14	27	34	120	47	10	37	M10x1	3,1	15.306.50.14.Z/120	30337261	●
50	14	27	34	160	47	10	37	M10x1	3,4	15.306.50.14.Z/160	30337262	●
50	16	27	34	120	50	10	40	M12x1	3,1	15.306.50.16.Z/120	30337264	●
50	16	27	34	160	50	10	40	M12x1	3,5	15.306.50.16.Z/160	30337265	●
50	18	33	42	120	50	10	40	M12x1	3,3	15.306.50.18.Z/120	30337267	●
50	18	33	42	160	50	10	40	M12x1	3,7	15.306.50.18.Z/160	30337268	●
50	20	33	42	120	52	10	42	M16x1	3,3	15.306.50.20.Z/120	30337270	●
50	20	33	42	160	52	10	42	M16x1	3,7	15.306.50.20.Z/160	30337271	●
50	25	44	53	120	58	10	48	M16x1	3,8	15.306.50.25.Z/120	30337273	●
50	25	44	53	160	58	10	48	M16x1	4,0	15.306.50.25.Z/160	30337274	●
50	32	44	53	120	62	10	52	M16x1	3,8	15.306.50.32.Z/120	30337276	●
50	32	44	53	160	62	10	52	M16x1	4,0	15.306.50.32.Z/160	30337277	●

Dimensions in mm.

Basic form AD. Please indicate form AD or B in your order.

Space for data carrier acc. DIN 69873-E10.

Shrink extensions at the end of this chapter.

Spare parts and accessories at the end of this chapter.

Special versions on request.

○ Products not on stock (delivery time on request).

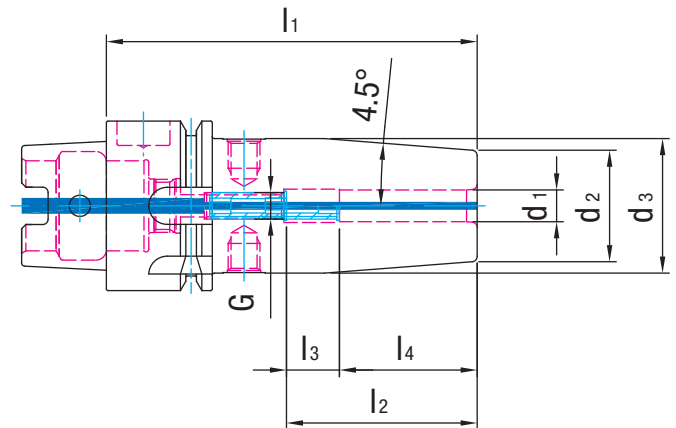
● Available ex stock Germany.

# Shrink fit chuck DIN 69893-A



## Quality characteristics:

- High transferable torque
- High accuracy of cyclic running
- 4,5° program
- Varied outer contour available
- High-strength hot forming tool steel
- Additional cooling ducts possible



Nominal size HSK-A	Dimensions							G	Weight kg	Ref. No.	SAP Ref. No.	On stock
	d <sub>1</sub>	d <sub>2</sub>	d <sub>3</sub>	l <sub>1</sub>	l <sub>2</sub>	l <sub>3</sub>	l <sub>4</sub>					
32	3	10	15	60	28	16	12	M5	0,2	16.306.32.03.Z	30337360	○
32	4	10	15	60	28	12	16	M5	0,2	16.306.32.04.Z	30337361	○
32	5	10	15	60	30	10	20	M5	0,2	16.306.32.05.Z	30337362	○
32	6	21	25	70	36	10	26	M5	0,3	16.306.32.06.Z	30337363	○
32	8	21	25	70	36	10	26	M6	0,3	16.306.32.08.Z	30337364	○
32	10	24	29	75	41	10	31	M8x1	0,4	16.306.32.10.Z	30337365	○
32	12	24	29	80	47	10	37	M10x1	0,4	16.306.32.12.Z	30337366	○

Dimensions in mm.

Space for data carrier acc. DIN 69873-E10.

Shrink extensions at the end of this chapter.

Spare parts and accessories at the end of this chapter.

Special versions on request.

○ Products not on stock (delivery time on request).

● Available ex stock Germany.

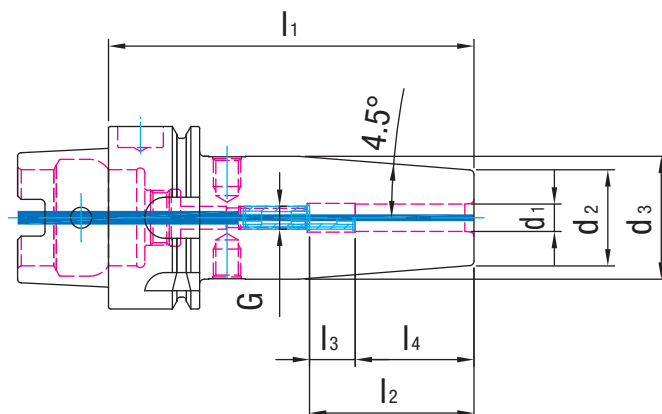
# Shrink fit chuck

## DIN 69893-A



### Quality characteristics:

- High transferable torque
- High accuracy of cyclic running
- 4,5° program
- Varied outer contour available
- High-strength hot forming tool steel
- Additional cooling ducts possible



Nominal size HSK-A	Dimensions							G	Weight kg	Ref. No.	SAP Ref. No.	On stock
	d <sub>1</sub>	d <sub>2</sub>	d <sub>3</sub>	l <sub>1</sub>	l <sub>2</sub>	l <sub>3</sub>	l <sub>4</sub>					
40	3	10	15	60	28	16	12	M6	0,3	16.306.40.03.Z	30337367	○
40	4	10	15	60	28	12	16	M6	0,3	16.306.40.04.Z	30337370	○
40	5	10	15	60	30	10	20	M6	0,3	16.306.40.05.Z	30337373	○
40	6	21	27	80	36	10	26	M5	0,4	16.306.40.06.Z	30337376	○
40	8	21	27	80	36	10	26	M6	0,4	16.306.40.08.Z	30337379	○
40	10	24	32	80	41	10	31	M8x1	0,5	16.306.40.10.Z	30337382	○
40	12	24	32	90	47	10	37	M10x1	0,5	16.306.40.12.Z	30337385	○
40	14	27	33,5	90	47	10	37	M10x1	0,6	16.306.40.14.Z	30337388	○
40	16	27	33,5	90	50	10	40	M12x1	0,5	16.306.40.16.Z	30337391	○

Dimensions in mm.

Space for data carrier acc. DIN 69873-E10.

Shrink extensions at the end of this chapter.

Spare parts and accessories at the end of this chapter.

Special versions on request.

○ Products not on stock (delivery time on request).

● Available ex stock Germany.



# Shrink fit chuck

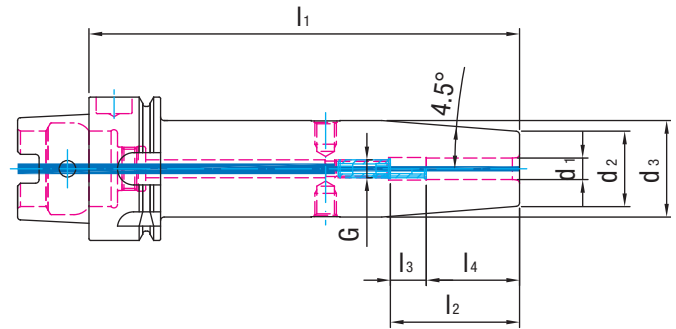
## DIN 69893-A

Long version



### Quality characteristics:

- High transferable torque
- High accuracy of cyclic running
- 4,5° program
- Varied outer contour available
- High-strength hot forming tool steel
- Additional cooling ducts possible



Nominal size HSK-A	Dimensions							G	Weight kg	Ref. No.	SAP Ref. No.	On stock
	d <sub>1</sub>	d <sub>2</sub>	d <sub>3</sub>	l <sub>1</sub>	l <sub>2</sub>	l <sub>3</sub>	l <sub>4</sub>					
40	3	10	20	120			12		0,4	16.306.40.03.Z/120	30337368	○
40	3	10	20	160			12		0,5	16.306.40.03.Z/160	30337369	○
40	4	15	22	120			16		0,4	16.306.40.04.Z/120	30337371	○
40	4	15	22	160			16		0,5	16.306.40.04.Z/160	30337372	○
40	5	15	22	120			20		0,4	16.306.40.05.Z/120	30337374	○
40	5	15	22	160			20		0,5	16.306.40.05.Z/160	30337375	○
40	6	21	27	120	36	10	26	M5	0,6	16.306.40.06.Z/120	30337377	○
40	6	21	27	160	36	10	26	M5	0,7	16.306.40.06.Z/160	30337378	○
40	8	21	27	120	36	10	26	M6	0,6	16.306.40.08.Z/120	30337380	○
40	8	21	27	160	36	10	26	M6	0,7	16.306.40.08.Z/160	30337381	○
40	10	24	32	120	41	10	31	M8x1	0,7	16.306.40.10.Z/120	30337383	○
40	10	24	32	160	41	10	31	M8x1	0,8	16.306.40.10.Z/160	30337384	○
40	12	24	32	120	47	10	37	M10x1	0,7	16.306.40.12.Z/120	30337386	○
40	12	24	32	160	47	10	37	M10x1	0,8	16.306.40.12.Z/160	30337387	○
40	14	27	33,5	120	47	10	37	M10x1	0,8	16.306.40.14.Z/120	30337389	○
40	14	27	33,5	160	47	10	37	M10x1	0,9	16.306.40.14.Z/160	30337390	○
40	16	27	33,5	120	50	10	40	M12x1	0,7	16.306.40.16.Z/120	30337392	○
40	16	27	33,5	160	50	10	40	M12x1	0,8	16.306.40.16.Z/160	30337393	○

Dimensions in mm.

Space for data carrier acc. DIN 69873-E10.

Shrink extensions at the end of this chapter.

Spare parts and accessories at the end of this chapter.

Special versions on request.

○ Products not on stock (delivery time on request).

● Available ex stock Germany.

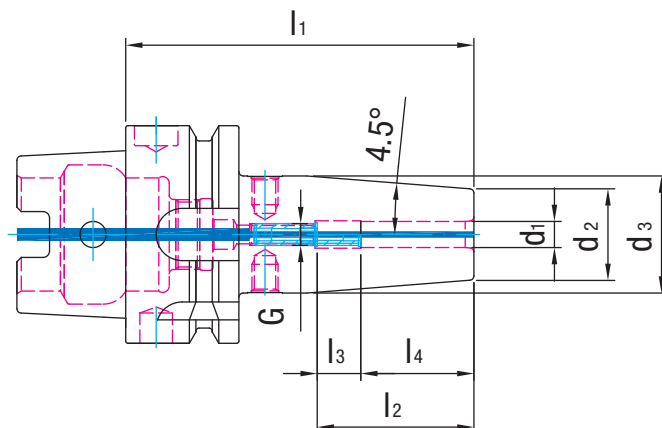
# Shrink fit chuck

## DIN 69893-A



### Quality characteristics:

- High transferable torque
- High accuracy of cyclic running
- 4,5° program
- Varied outer contour available
- High-strength hot forming tool steel
- Additional cooling ducts possible



Nominal size HSK-A	Dimensions							G	Weight kg	Ref. No.	SAP Ref. No.	On stock
	d <sub>1</sub>	d <sub>2</sub>	d <sub>3</sub>	l <sub>1</sub>	l <sub>2</sub>	l <sub>3</sub>	l <sub>4</sub>					
50	3	10	15	80	28	16	12	M6	0,4	16.306.50.03.Z	30337394	○
50	4	15	22	80	28	12	16	M6	0,5	16.306.50.04.Z	30337397	○
50	5	15	22	80	30	10	20	M6	0,5	16.306.50.05.Z	30337400	○
50	6	21	27	80	36	10	26	M5	0,7	16.306.50.06.Z	30337403	○
50	8	21	27	80	36	10	26	M6	0,6	16.306.50.08.Z	30337407	○
50	10	24	32	85	41	10	31	M8x1	0,7	16.306.50.10.Z	30337410	○
50	12	24	32	90	47	10	37	M10x1	0,7	16.306.50.12.Z	30337413	○
50	14	27	34	90	47	10	37	M10x1	0,7	16.306.50.14.Z	30337416	○
50	16	27	34	95	50	10	40	M12x1	0,7	16.306.50.16.Z	30337419	○
50	18	33	42	95	50	10	40	M12x1	0,9	16.306.50.18.Z	30337422	○
50	20	33	42	100	52	10	42	M16x1	0,9	16.306.50.20.Z	30337425	○

Dimensions in mm.

Space for data carrier acc. DIN 69873-E10.

Shrink extensions at the end of this chapter.

Spare parts and accessories at the end of this chapter.

Special versions on request.

○ Products not on stock (delivery time on request).

● Available ex stock Germany.

# Shrink fit chuck

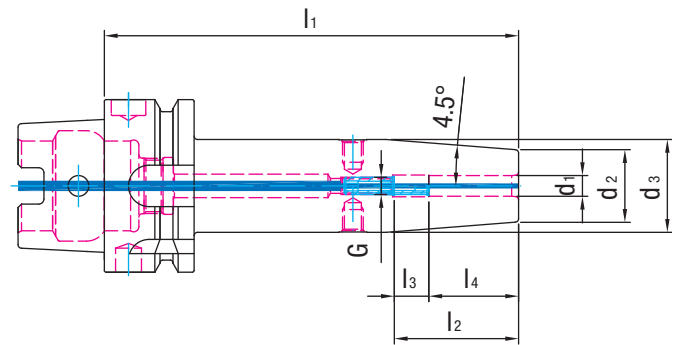
## DIN 69893-A

Long version



### Quality characteristics:

- High transferable torque
- High accuracy of cyclic running
- 4,5° program
- Varied outer contour available
- High-strength hot forming tool steel
- Additional cooling ducts possible



Nominal size HSK-A	Dimensions							G	Weight kg	Ref. No.	SAP Ref. No.	On stock
	d <sub>1</sub>	d <sub>2</sub>	d <sub>3</sub>	l <sub>1</sub>	l <sub>2</sub>	l <sub>3</sub>	l <sub>4</sub>					
50	3	10	20	120			12		0,5	16.306.50.03.Z/120	30337395	○
50	3	10	20	160			12		0,6	16.306.50.03.Z/160	30337396	○
50	4	15	22	120			16		0,6	16.306.50.04.Z/120	30337398	○
50	4	15	22	160			16		0,7	16.306.50.04.Z/160	30337399	○
50	5	15	22	120			20		0,6	16.306.50.05.Z/120	30337401	○
50	5	15	22	160			20		0,7	16.306.50.05.Z/160	30337402	○
50	6	21	27	120	36	10	26	M5	0,8	16.306.50.06.Z/120	30337404	○
50	6	21	27	160	36	10	26	M5	0,9	16.306.50.06.Z/160	30337405	○
50	8	21	27	120	36	10	26	M6	0,8	16.306.50.08.Z/120	30337408	○
50	8	21	27	160	36	10	26	M6	0,9	16.306.50.08.Z/160	30337409	○
50	10	24	32	120	41	10	31	M8x1	0,8	16.306.50.10.Z/120	30337411	○
50	10	24	32	160	41	10	31	M8x1	0,9	16.306.50.10.Z/160	30337412	○
50	12	24	32	120	47	10	37	M10x1	0,8	16.306.50.12.Z/120	30337414	○
50	12	24	32	160	47	10	37	M10x1	0,9	16.306.50.12.Z/160	30337415	○
50	14	27	34	120	47	10	37	M10x1	0,8	16.306.50.14.Z/120	30337417	○
50	14	27	34	160	47	10	37	M10x1	0,9	16.306.50.14.Z/160	30337418	○
50	16	27	34	120	50	10	40	M12x1	0,8	16.306.50.16.Z/120	30337420	○
50	16	27	34	160	50	10	40	M12x1	0,9	16.306.50.16.Z/160	30337421	○
50	18	33	42	120	50	10	40	M12x1	1,0	16.306.50.18.Z/120	30337423	○
50	18	33	42	160	50	10	40	M12x1	1,1	16.306.50.18.Z/160	30337424	○
50	20	33	42	120	52	10	42	M16x1	1,0	16.306.50.20.Z/120	30337426	○
50	20	33	42	160	52	10	42	M16x1	1,1	16.306.50.20.Z/160	30337427	○

Dimensions in mm.

Space for data carrier acc. DIN 69873-E10.

Shrink extensions at the end of this chapter.

Spare parts and accessories at the end of this chapter.

Special versions on request.

○ Products not on stock (delivery time on request).

● Available ex stock Germany.

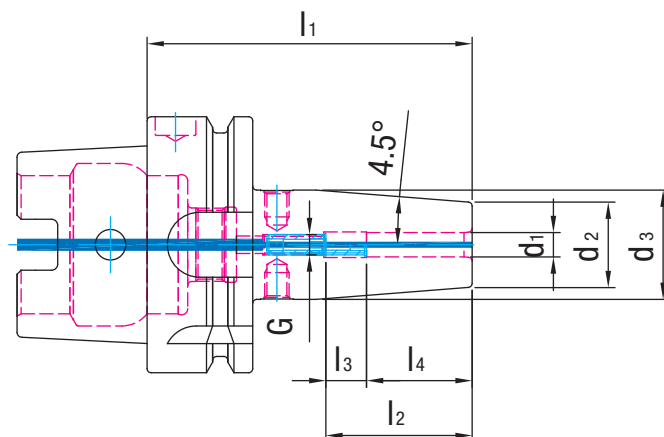
# Shrink fit chuck

## DIN 69893-A



### Quality characteristics:

- High transferable torque
- High accuracy of cyclic running
- 4,5° program
- Varied outer contour available
- High-strength hot forming tool steel
- Additional cooling ducts possible



Nominal size HSK-A	Dimensions							G	Weight kg	Ref. No.	SAP Ref. No.	On stock
	d <sub>1</sub>	d <sub>2</sub>	d <sub>3</sub>	l <sub>1</sub>	l <sub>2</sub>	l <sub>3</sub>	l <sub>4</sub>					
63	3	10	15	80	28	16	12	M6	0,7	16.306.63.03.Z	30337115	●
63	4	15	22	80	28	12	16	M6	0,7	16.306.63.04.Z	30337116	●
63	5	15	22	80	30	10	20	M6	0,7	16.306.63.05.Z	30337117	●
63	6	21	27	80	36	10	26	M5	0,8	16.306.63.06.Z	30337118	●
63	7	21	27	80	36	10	26	M5		16.306.63.07.Z	30337119	○
63	8	21	27	80	36	10	26	M6	0,8	16.306.63.08.Z	30337120	●
63	9	21	27	80	36	10	26	M6		16.306.63.09.Z	30337121	○
63	10	24	32	85	41	10	31	M8x1	0,9	16.306.63.10.Z	30337122	●
63	11	24	32	85	41	10	31	M8x1		16.306.63.11.Z	30337123	○
63	12	24	32	90	47	10	37	M10x1	0,9	16.306.63.12.Z	30337124	●
63	13	24	32	90	47	10	37	M10x1		16.306.63.13.Z	30337125	○
63	14	27	34	90	47	10	37	M10x1	0,9	16.306.63.14.Z	30337126	●
63	15	27	34	90	47	10	37	M10x1		16.306.63.15.Z	30337127	○
63	16	27	34	95	50	10	40	M12x1	1,0	16.306.63.16.Z	30337128	●
63	18	33	42	95	50	10	40	M12x1	1,1	16.306.63.18.Z	30337129	●
63	20	33	42	100	52	10	42	M16x1	1,1	16.306.63.20.Z	30337130	●
63	25	44	53	115	58	10	48	M16x1	1,6	16.306.63.25.Z	30337131	●
63	32	44	53	120	62	10	52	M16x1	1,6	16.306.63.32.Z	30337132	●

Dimensions in mm.

Space for data carrier acc. DIN 69873-E10.

Shrink extensions at the end of this chapter.

Spare parts and accessories at the end of this chapter.

Special versions on request.

○ Products not on stock (delivery time on request).

● Available ex stock Germany.

# Shrink fit chuck

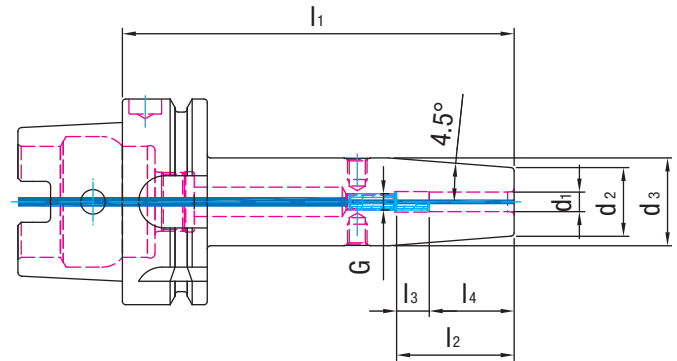
## DIN 69893-A

Long version



### Quality characteristics:

- High transferable torque
- High accuracy of cyclic running
- 4,5° program
- Varied outer contour available
- High-strength hot forming tool steel
- Additional cooling ducts possible



Nominal size HSK-A	Dimensions							G	Weight kg	Ref. No.	SAP Ref. No.	On stock
	d <sub>1</sub>	d <sub>2</sub>	d <sub>3</sub>	l <sub>1</sub>	l <sub>2</sub>	l <sub>3</sub>	l <sub>4</sub>					
63	3	10	20	120			12		0,8	16.306.63.03.Z/120	30337428	●
63	3	10	20	160			12		0,8	16.306.63.03.Z/160	30337429	●
63	4	15	22	120			16		0,8	16.306.63.04.Z/120	30337430	●
63	4	15	22	160			16		0,9	16.306.63.04.Z/160	30337431	●
63	5	15	22	120			20		0,8	16.306.63.05.Z/120	30337432	●
63	5	15	22	160			20		0,9	16.306.63.05.Z/160	30337433	●
63	6	21	27	120	36	10	26	M5	1,0	16.306.63.06.Z/120	30337434	●
63	6	21	27	160	36	10	26	M5	1,1	16.306.63.06.Z/160	30337435	●
63	8	21	27	120	36	10	26	M6	1,0	16.306.63.08.Z/120	30337436	●
63	8	21	27	160	36	10	26	M6	1,1	16.306.63.08.Z/160	30337437	●
63	10	24	32	120	41	10	31	M8x1	1,0	16.306.63.10.Z/120	30337439	●
63	10	24	32	160	41	10	31	M8x1	1,3	16.306.63.10.Z/160	30337440	●
63	12	24	32	120	47	10	37	M10x1	1,0	16.306.63.12.Z/120	30337441	●
63	12	24	32	160	47	10	37	M10x1	1,2	16.306.63.12.Z/160	30337442	●
63	14	27	34	120	47	10	37	M10x1	1,1	16.306.63.14.Z/120	30337443	●
63	14	27	34	160	47	10	37	M10x1	1,3	16.306.63.14.Z/160	30337444	●
63	16	27	34	120	50	10	40	M12x1	1,1	16.306.63.16.Z/120	30337445	●
63	16	27	34	160	50	10	40	M12x1	1,4	16.306.63.16.Z/160	30337446	●
63	18	33	42	120	50	10	40	M12x1	1,3	16.306.63.18.Z/120	30337447	●
63	18	33	42	160	50	10	40	M12x1	1,6	16.306.63.18.Z/160	30337448	●
63	20	33	42	120	52	10	42	M16x1	1,3	16.306.63.20.Z/120	30337449	●
63	20	33	42	160	52	10	42	M16x1	1,6	16.306.63.20.Z/160	30337450	●
63	25	44	53	120	58	10	48	M16x1	1,7	16.306.63.25.Z/120	30337451	●
63	25	44	53	160	62	10	48	M16x1	2,0	16.306.63.25.Z/160	30337452	●
63	32	44	53	160	62	10	52	M16x1	1,9	16.306.63.32.Z/160	30337453	●

Dimensions in mm.

Space for data carrier acc. DIN 69873-E10.

Shrink extensions at the end of this chapter.

Spare parts and accessories at the end of this chapter.

Special versions on request.

○ Products not on stock (delivery time on request).

● Available ex stock Germany.

# Shrink fit chuck

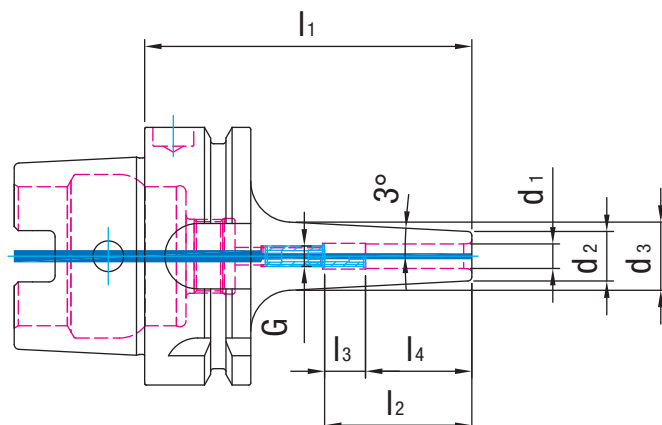
## DIN 69893-A

Slim version, 3°



### Quality characteristics:

- High transferable torque
- High accuracy of cyclic running
- 3° program
- Varied outer contour available
- High-strength hot forming tool steel
- Additional cooling ducts possible



Nominal size HSK-A	Dimensions							G	Weight kg	Ref. No.	SAP Ref. No.	On stock
	d <sub>1</sub>	d <sub>2</sub>	d <sub>3</sub>	l <sub>1</sub>	l <sub>2</sub>	l <sub>3</sub>	l <sub>4</sub>					
63	3	9	14	80	28	16	12	M6	0,7	16.304.63.03.Z	30385288	○
63	4	10	15	80	28	12	16	M6	0,7	16.304.63.04.Z	30385291	○
63	5	11	16	80	30	10	20	M6	0,7	16.304.63.05.Z	30385294	○
63	6	12	17	80	36	10	26	M5	0,7	16.304.63.06.Z	30385297	○
63	8	14	19	80	36	10	26	M6	0,7	16.304.63.08.Z	30385300	○
63	10	16	21	85	41	10	31	M8x1	0,8	16.304.63.10.Z	30385303	○
63	12	18	24	90	47	10	37	M10x1	0,8	16.304.63.12.Z	30385306	○
63	14	20	26	90	47	10	37	M10x1	0,8	16.304.63.14.Z	30385309	○
63	16	22	28	95	50	10	40	M12x1	0,8	16.304.63.16.Z	30385312	○
63	18	24	30	95	50	10	40	M12x1	0,9	16.304.63.18.Z	30385315	○
63	20	26	33	100	52	10	42	M16x1	0,9	16.304.63.20.Z	30385318	○

Dimensions in mm.

Space for data carrier acc. DIN 69873-E10.

Shrink extensions at the end of this chapter.

Spare parts and accessories at the end of this chapter.

Special versions on request.

○ Products not on stock (delivery time on request).

● Available ex stock Germany.

# Shrink fit chuck

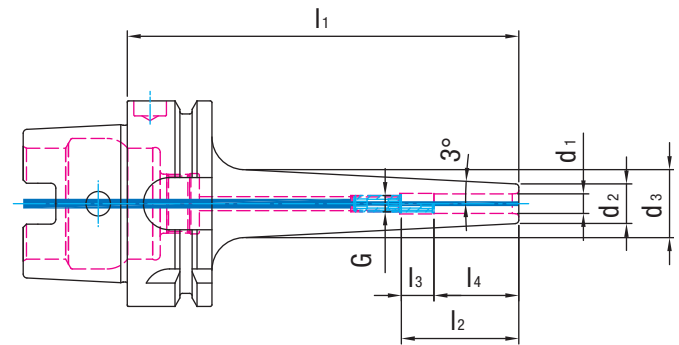
## DIN 69893-A

Long and slim version, 3°



### Quality characteristics:

- High transferable torque
- High accuracy of cyclic running
- 3° program
- Varied outer contour available
- High-strength hot forming tool steel
- Additional cooling ducts possible



Nominal size HSK-A	Dimensions							G	Weight kg	Ref. No.	SAP Ref. No.	On stock
	d <sub>1</sub>	d <sub>2</sub>	d <sub>3</sub>	l <sub>1</sub>	l <sub>2</sub>	l <sub>3</sub>	l <sub>4</sub>					
63	3	9	16	120			12		0,8	16.304.63.03.Z/120	30385289	○
63	3	9	19	160			12		0,8	16.304.63.03.Z/160	30385290	○
63	4	10	17	120			16		0,8	16.304.63.04.Z/120	30385292	○
63	4	10	20	160			16		0,9	16.304.63.04.Z/160	30385293	○
63	5	11	18	120			20		0,8	16.304.63.05.Z/120	30385295	○
63	5	11	21	160			20		0,9	16.304.63.05.Z/160	30385296	○
63	6	12	21	120	36	10	26	M5	0,8	16.304.63.06.Z/120	30385298	○
63	6	12	24	160	36	10	26	M5	0,9	16.304.63.06.Z/160	30385299	○
63	8	14	23	120	36	10	26	M6	0,8	16.304.63.08.Z/120	30385301	○
63	8	14	26	160	36	10	26	M6	1,0	16.304.63.08.Z/160	30385302	○
63	10	16	25	120	41	10	31	M8x1	0,9	16.304.63.10.Z/120	30385304	○
63	10	16	28	160	41	10	31	M8x1	1,0	16.304.63.10.Z/160	30385305	○
63	12	18	27	120	47	10	37	M10x1	0,9	16.304.63.12.Z/120	30385307	○
63	12	18	30	160	47	10	37	M10x1	1,1	16.304.63.12.Z/160	30385308	○
63	14	20	29	120	47	10	37	M10x1	0,9	16.304.63.14.Z/120	30385310	○
63	14	20	32	160	47	10	37	M10x1	1,2	16.304.63.14.Z/160	30385311	○
63	16	22	31	120	50	10	40	M12x1	1,0	16.304.63.16.Z/120	30385313	○
63	16	22	34	160	50	10	40	M12x1	1,2	16.304.63.16.Z/160	30385314	○
63	18	24	33	120	50	10	40	M12x1	1,0	16.304.63.18.Z/120	30385316	○
63	18	24	36	160	50	10	40	M12x1	1,3	16.304.63.18.Z/160	30385317	○
63	20	26	35	120	52	10	42	M16x1	1,1	16.304.63.20.Z/120	30385319	○
63	20	26	38	160	52	10	42	M16x1	1,4	16.304.63.20.Z/160	30385320	○

Dimensions in mm.

Space for data carrier acc. DIN 69873-E10.

Shrink extensions at the end of this chapter.

Spare parts and accessories at the end of this chapter.

Special versions on request.

○ Products not on stock (delivery time on request).

● Available ex stock Germany.

# Shrink fit chuck

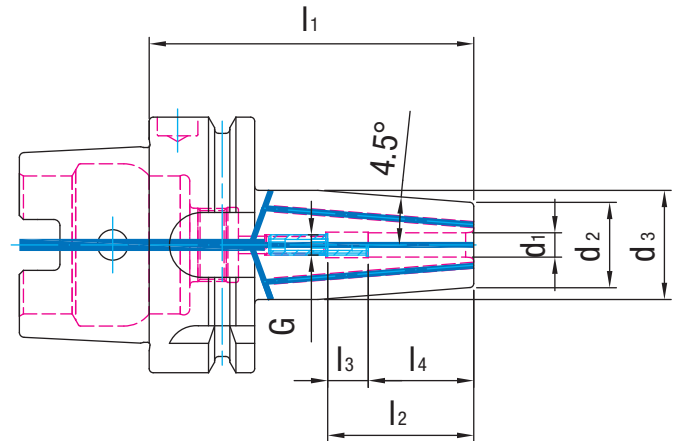
## DIN 69893-A

With coolant supply



### Quality characteristics:

- High transferable torque
- High accuracy of cyclic running
- 4,5° program
- Varied outer contour available
- High-strength hot forming tool steel
- Additional cooling ducts



Nominal size HSK-A	Dimensions							G	Weight kg	Ref. No.	SAP Ref. No.	On stock
	d <sub>1</sub>	d <sub>2</sub>	d <sub>3</sub>	l <sub>1</sub>	l <sub>2</sub>	l <sub>3</sub>	l <sub>4</sub>					
63	3	10	15	80	28	16	12	M6	0,7	16.305.63.03.Z	30337304	○
63	4	15	22	80	28	12	16	M6	0,7	16.305.63.04.Z	30337306	○
63	5	15	22	80	30	10	20	M6	0,7	16.305.63.05.Z	30337308	○
63	6	21	27	80	36	10	26	M5	0,8	16.305.63.06.Z	30337310	○
63	8	21	27	80	36	10	26	M6	0,8	16.305.63.08.Z	30337312	○
63	10	24	32	85	41	10	31	M8x1	0,9	16.305.63.10.Z	30337315	○
63	12	24	32	90	47	10	37	M10x1	0,9	16.305.63.12.Z	30337317	○
63	14	27	34	90	47	10	37	M10x1	0,9	16.305.63.14.Z	30337320	○
63	16	27	34	95	50	10	40	M12x1	1,0	16.305.63.16.Z	30337322	○
63	18	33	42	95	50	10	40	M12x1	1,1	16.305.63.18.Z	30337324	○
63	20	33	42	100	52	10	42	M16x1	1,1	16.305.63.20.Z	30337326	○
63	25	44	53	115	58	10	48	M16x1	1,6	16.305.63.25.Z	30337328	○
63	32	44	53	120	62	10	52	M16x1	1,6	16.305.63.32.Z	30337330	○

Dimensions in mm.

Space for data carrier acc. DIN 69873-E10.

Standard version with two cooling ducts.

Additional coolant bores on request.

Shrink extensions at the end of this chapter.

Spare parts and accessories at the end of this chapter.

Special versions on request.

○ Products not on stock (delivery time on request).

● Available ex stock Germany.

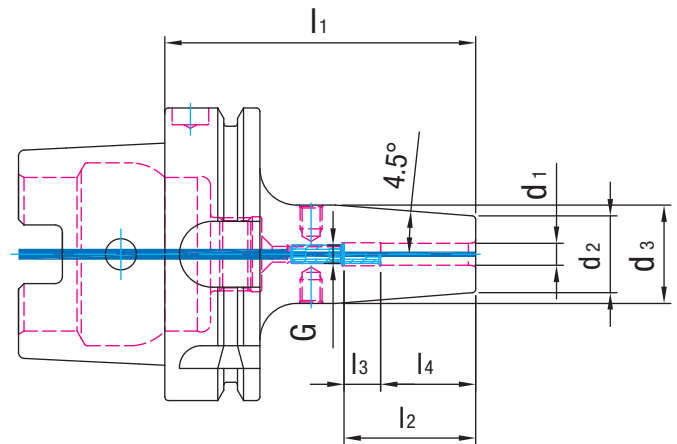


# Shrink fit chuck DIN 69893-A



## Quality characteristics:

- High transferable torque
- High accuracy of cyclic running
- 4,5° program
- Varied outer contour available
- High-strength hot forming tool steel
- Additional cooling ducts possible



Nominal size HSK-A	Dimensions							G	Weight kg	Ref. No.	SAP Ref. No.	On stock
	d <sub>1</sub>	d <sub>2</sub>	d <sub>3</sub>	l <sub>1</sub>	l <sub>2</sub>	l <sub>3</sub>	l <sub>4</sub>					
80	6	21	27	85	36	10	26	M5	1,2	16.306.80.06.Z	30337454	○
80	8	21	27	85	36	10	26	M6	1,2	16.306.80.08.Z	30337457	○
80	10	24	32	90	41	10	31	M8x1	1,3	16.306.80.10.Z	30337460	○
80	12	24	32	95	47	10	37	M10x1	1,3	16.306.80.12.Z	30337463	○
80	14	27	34	95	47	10	37	M10x1	1,4	16.306.80.14.Z	30337466	○
80	16	27	34	100	50	10	40	M12x1	1,5	16.306.80.16.Z	30337469	○
80	18	33	42	100	50	10	40	M12x1	1,5	16.306.80.18.Z	30337472	○
80	20	33	42	105	52	10	42	M16x1	1,7	16.306.80.20.Z	30337475	○
80	25	44	53	115	58	10	48	M16x1	2,5	16.306.80.25.Z	30337478	○
80	32	44	53	120	62	10	52	M16x1	2,9	16.306.80.32.Z	30337481	○

Dimensions in mm.

Space for data carrier acc. DIN 69873-E10.

Shrink extensions at the end of this chapter.

Spare parts and accessories at the end of this chapter.

Special versions on request.

○ Products not on stock (delivery time on request).

● Available ex stock Germany.

# Shrink fit chuck

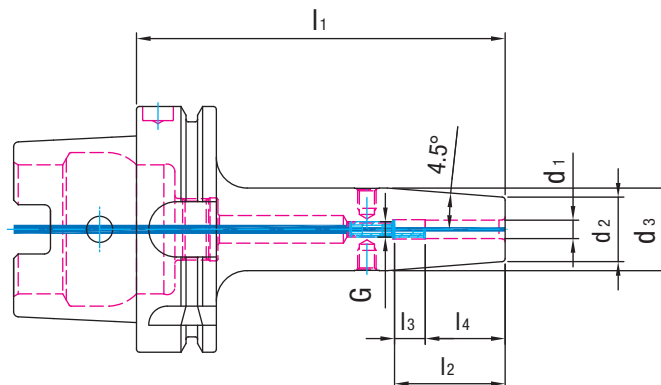
## DIN 69893-A

Long version



### Quality characteristics:

- High transferable torque
- High accuracy of cyclic running
- 4,5° program
- Varied outer contour available
- High-strength hot forming tool steel
- Additional cooling ducts possible



Nominal size HSK-A	Dimensions							G	Weight kg	Ref. No.	SAP Ref. No.	On stock
	d <sub>1</sub>	d <sub>2</sub>	d <sub>3</sub>	l <sub>1</sub>	l <sub>2</sub>	l <sub>3</sub>	l <sub>4</sub>					
80	6	21	27	120	36	10	26	M5	1,5	16.306.80.06.Z/120	30337455	○
80	6	21	27	160	36	10	26	M5	1,8	16.306.80.06.Z/160	30337456	○
80	8	21	27	120	36	10	26	M6	1,5	16.306.80.08.Z/120	30337458	○
80	8	21	27	160	36	10	26	M6	1,8	16.306.80.08.Z/160	30337459	○
80	10	24	32	120	41	10	31	M8x1	1,6	16.306.80.10.Z/120	30337461	○
80	10	24	32	160	41	10	31	M8x1	2,0	16.306.80.10.Z/160	30337462	○
80	12	24	32	120	47	10	37	M10x1	1,6	16.306.80.12.Z/120	30337464	○
80	12	24	32	160	47	10	37	M10x1	2,0	16.306.80.12.Z/160	30337465	○
80	14	27	34	120	47	10	37	M10x1	1,7	16.306.80.14.Z/120	30337467	○
80	14	27	34	160	47	10	37	M10x1	2,1	16.306.80.14.Z/160	30337468	○
80	16	27	34	120	50	10	40	M12x1	1,8	16.306.80.16.Z/120	30337470	○
80	16	27	34	160	50	10	40	M12x1	2,1	16.306.80.16.Z/160	30337471	○
80	18	33	42	120	50	10	40	M12x1	1,9	16.306.80.18.Z/120	30337473	○
80	18	33	42	160	50	10	40	M12x1	2,2	16.306.80.18.Z/160	30337474	○
80	20	33	42	120	52	10	42	M16x1	2,0	16.306.80.20.Z/120	30337476	○
80	20	33	42	160	52	10	42	M16x1	2,3	16.306.80.20.Z/160	30337477	○
80	25	44	53	120	58	10	48	M16x1	2,6	16.306.80.25.Z/120	30337479	○
80	25	44	53	160	58	10	48	M16x1	2,9	16.306.80.25.Z/160	30337480	○
80	32	44	53	160	62	10	52	M16x1	3,2	16.306.80.32.Z/160	30337482	○

Dimensions in mm.

Space for data carrier acc. DIN 69873-E10.

Shrink extensions at the end of this chapter.

Spare parts and accessories at the end of this chapter.

Special versions on request.

○ Products not on stock (delivery time on request).

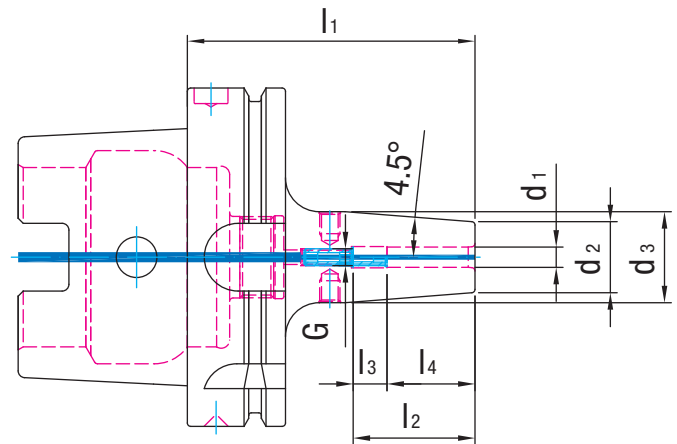
● Available ex stock Germany.

# Shrink fit chuck DIN 69893-A



## Quality characteristics:

- High transferable torque
- High accuracy of cyclic running
- 4,5° program
- Varied outer contour available
- High-strength hot forming tool steel
- Additional cooling ducts possible



Nominal size HSK-A	Dimensions							G	Weight kg	Ref. No.	SAP Ref. No.	On stock
	d <sub>1</sub>	d <sub>2</sub>	d <sub>3</sub>	l <sub>1</sub>	l <sub>2</sub>	l <sub>3</sub>	l <sub>4</sub>					
100	6	21	27	85	36	10	26	M5	2,2	16.306.100.06.Z	30337331	●
100	8	21	27	85	36	10	26	M6	2,2	16.306.100.08.Z	30337334	●
100	10	24	32	90	41	10	31	M8x1	2,3	16.306.100.10.Z	30337337	●
100	12	24	32	95	47	10	37	M10x1	2,2	16.306.100.12.Z	30337340	●
100	14	27	34	95	47	10	37	M10x1	2,3	16.306.100.14.Z	30337343	●
100	16	27	34	100	50	10	40	M12x1	2,3	16.306.100.16.Z	30337346	●
100	18	33	42	100	50	10	40	M12x1	2,5	16.306.100.18.Z	30337349	●
100	20	33	42	105	52	10	42	M16x1	2,5	16.306.100.20.Z	30337352	●
100	25	44	53	115	58	10	48	M16x1	3,1	16.306.100.25.Z	30337355	●
100	32	44	53	120	62	10	52	M16x1	3,0	16.306.100.32.Z	30337358	●

Dimensions in mm.

Space for data carrier acc. DIN 69873-E10.

Shrink extensions at the end of this chapter.

Spare parts and accessories at the end of this chapter.

Special versions on request.

○ Products not on stock (delivery time on request).

● Available ex stock Germany.

# Shrink fit chuck

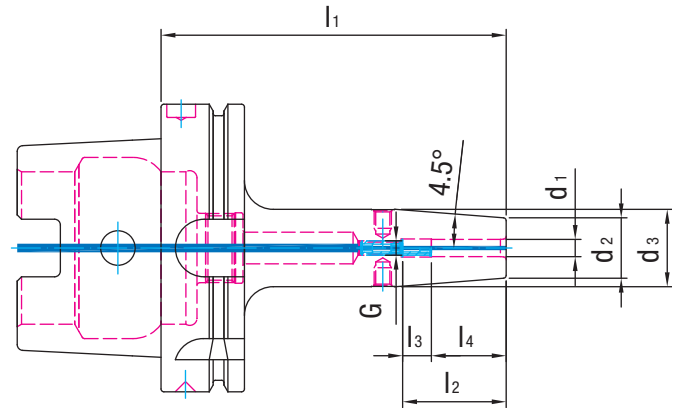
## DIN 69893-A

Long version



### Quality characteristics:

- High transferable torque
- High accuracy of cyclic running
- 4,5° program
- Varied outer contour available
- High-strength hot forming tool steel
- Additional cooling ducts possible



Nominal size HSK-A	Dimensions							G	Weight kg	Ref. No.	SAP Ref. No.	On stock
	d <sub>1</sub>	d <sub>2</sub>	d <sub>3</sub>	l <sub>1</sub>	l <sub>2</sub>	l <sub>3</sub>	l <sub>4</sub>					
100	6	21	27	120	36	10	26	M5	2,4	16.306.100.06.Z/120	30337332	●
100	6	21	27	160	36	10	26	M5	2,6	16.306.100.06.Z/160	30337333	●
100	8	21	27	120	36	10	26	M6	2,4	16.306.100.08.Z/120	30337335	●
100	8	21	27	160	36	10	26	M6	2,6	16.306.100.08.Z/160	30337336	●
100	10	24	32	120	41	10	31	M8x1	2,5	16.306.100.10.Z/120	30337338	●
100	10	24	32	160	41	10	31	M8x1	2,7	16.306.100.10.Z/160	30337339	●
100	12	24	32	120	47	10	37	M10x1	2,5	16.306.100.12.Z/120	30337341	●
100	12	24	32	160	47	10	37	M10x1	2,7	16.306.100.12.Z/160	30337342	●
100	14	27	34	120	47	10	37	M10x1	2,5	16.306.100.14.Z/120	30337344	●
100	14	27	34	160	47	10	37	M10x1	2,7	16.306.100.14.Z/160	30337345	●
100	16	27	34	120	50	10	40	M12x1	2,6	16.306.100.16.Z/120	30337347	●
100	16	27	34	160	50	10	40	M12x1	2,9	16.306.100.16.Z/160	30337348	●
100	18	33	42	120	50	10	40	M12x1	2,7	16.306.100.18.Z/120	30337350	●
100	18	33	42	160	50	10	40	M12x1	3,0	16.306.100.18.Z/160	30337351	●
100	20	33	42	120	52	10	42	M16x1	3,0	16.306.100.20.Z/120	30337353	●
100	20	33	42	160	52	10	42	M16x1	3,4	16.306.100.20.Z/160	30337354	●
100	25	44	53	120	58	10	48	M16x1	3,2	16.306.100.25.Z/120	30337356	●
100	25	44	53	160	58	10	48	M16x1	3,6	16.306.100.25.Z/160	30337357	●
100	32	44	53	160	62	10	52	M16x1	3,3	16.306.100.32.Z/160	30337359	●

Dimensions in mm.

Space for data carrier acc. DIN 69873-E10.

Shrink extensions at the end of this chapter.

Spare parts and accessories at the end of this chapter.

Special versions on request.

○ Products not on stock (delivery time on request).

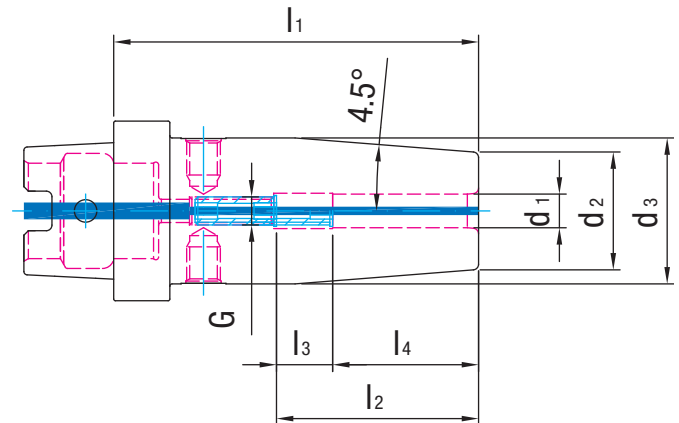
● Available ex stock Germany.

# Shrink fit chuck DIN 69893-C



## Quality characteristics:

- High transferable torque
- High accuracy of cyclic running
- 4,5° program
- Varied outer contour available
- High-strength hot forming tool steel
- Additional cooling ducts possible



Nominal size HSK-C	Dimensions							G	Weight kg	Ref. No.	SAP Ref. No.	On stock
	d <sub>1</sub>	d <sub>2</sub>	d <sub>3</sub>	l <sub>1</sub>	l <sub>2</sub>	l <sub>3</sub>	l <sub>4</sub>					
32	3	10	15	60	22	10	12	M5	0,2	23.306.32.03.Z	30337760	○
32	4	10	15	60	26	10	16	M5	0,2	23.306.32.04.Z	30337761	○
32	5	10	15	60	30	10	20	M5	0,2	23.306.32.05.Z	30337762	○
32	6	21	26	65	36	10	26	M5	0,3	23.306.32.06.Z	30337763	○
32	8	21	26	65	36	10	26	M6	0,3	23.306.32.08.Z	30337764	○
32	10	24	30	65	41	10	31	M8x1	0,4	23.306.32.10.Z	30337765	○
32	12	24	32	75	47	10	37	M10x1	0,4	23.306.32.12.Z	30337766	○

Dimensions in mm.

Shrink extensions at the end of this chapter.

Spare parts and accessories at the end of this chapter.

Special versions on request.

○ Products not on stock (delivery time on request).

● Available ex stock Germany.

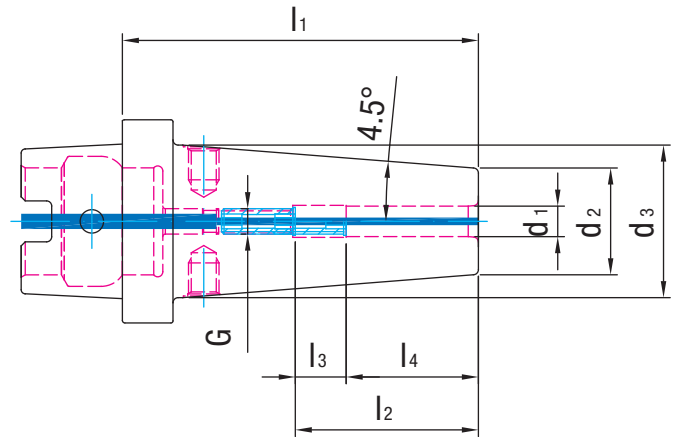
# Shrink fit chuck

## DIN 69893-C



### Quality characteristics:

- High transferable torque
- High accuracy of cyclic running
- 4,5° program
- Varied outer contour available
- High-strength hot forming tool steel
- Additional cooling ducts possible



Nominal size HSK-C	Dimensions							G	Weight kg	Ref. No.	SAP Ref. No.	On stock
	d <sub>1</sub>	d <sub>2</sub>	d <sub>3</sub>	l <sub>1</sub>	l <sub>2</sub>	l <sub>3</sub>	l <sub>4</sub>					
40	3	10	15	60	28	16	12	M6	0,3	23.306.40.03.Z	30385045	○
40	4	10	15	60	28	12	16	M6	0,3	23.306.40.04.Z	30385046	○
40	5	10	15	60	30	10	20	M6	0,3	23.306.40.05.Z	30385047	○
40	6	21	30	70	36	10	26	M5	0,4	23.306.40.06.Z	30337767	○
40	8	21	30	70	36	10	26	M6	0,4	23.306.40.08.Z	30337768	○
40	10	24	33,5	70	41	10	31	M8x1	0,5	23.306.40.10.Z	30337769	○
40	12	24	35	80	47	10	37	M10x1	0,5	23.306.40.12.Z	30337770	○
40	14	27	38	80	47	10	37	M10x1	0,5	23.306.40.14.Z	30337771	○
40	16	27	38	80	50	10	40	M12x1	0,6	23.306.40.16.Z	30337772	○

Dimensions in mm.

Shrink extensions at the end of this chapter.

Spare parts and accessories at the end of this chapter.

Special versions on request.

○ Products not on stock (delivery time on request).

● Available ex stock Germany.

# Shrink fit chuck

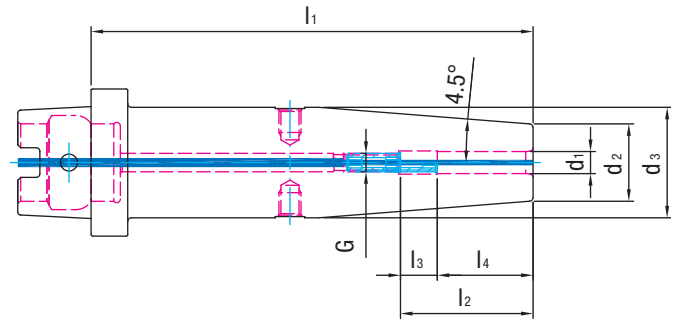
## DIN 69893-C

Long version



### Quality characteristics:

- High transferable torque
- High accuracy of cyclic running
- 4,5° program
- Varied outer contour available
- High-strength hot forming tool steel
- Additional cooling ducts possible



Nominal size HSK-C	Dimensions							G	Weight kg	Ref. No.	SAP Ref. No.	On stock
	d <sub>1</sub>	d <sub>2</sub>	d <sub>3</sub>	l <sub>1</sub>	l <sub>2</sub>	l <sub>3</sub>	l <sub>4</sub>					
40	3	10	20	120			12		0,4	23.306.40.03.Z/120	30385049	○
40	3	10	20	160			12		0,5	23.306.40.03.Z/160	30385064	○
40	4	15	22	120			16		0,4	23.306.40.04.Z/120	30385051	○
40	4	15	22	160			16		0,5	23.306.40.04.Z/160	30385072	○
40	5	15	22	120			20		0,4	23.306.40.05.Z/120	30385053	○
40	5	15	22	160			20		0,5	23.306.40.05.Z/160	30385077	○
40	6	21	30	120	36	10	26	M5	0,5	23.306.40.06.Z/120	30385055	○
40	6	21	30	160	36	10	26	M5	0,6	23.306.40.06.Z/160	30385078	○
40	8	21	30	120	36	10	26	M6	0,5	23.306.40.08.Z/120	30385056	○
40	8	21	30	160	36	10	26	M6	0,6	23.306.40.08.Z/160	30385081	○
40	10	24	33,5	120	41	10	31	M8x1	0,6	23.306.40.10.Z/120	30385057	○
40	10	24	33,5	160	41	10	31	M8x1	0,7	23.306.40.10.Z/160	30385086	○
40	12	24	35	120	47	10	37	M10x1	0,6	23.306.40.12.Z/120	30385058	○
40	12	24	35	160	47	10	37	M10x1	0,7	23.306.40.12.Z/160	30385088	○
40	14	27	38	120	47	10	37	M10x1	0,6	23.306.40.14.Z/120	30385059	○
40	14	27	38	160	47	10	37	M10x1	0,7	23.306.40.14.Z/160	30385089	○
40	16	27	38	120	50	10	40	M12x1	0,7	23.306.40.16.Z/120	30385061	○
40	16	27	38	160	50	10	40	M12x1	0,8	23.306.40.16.Z/160	30385090	○

Dimensions in mm.

Shrink extensions at the end of this chapter.

Spare parts and accessories at the end of this chapter.

Special versions on request.

○ Products not on stock (delivery time on request).

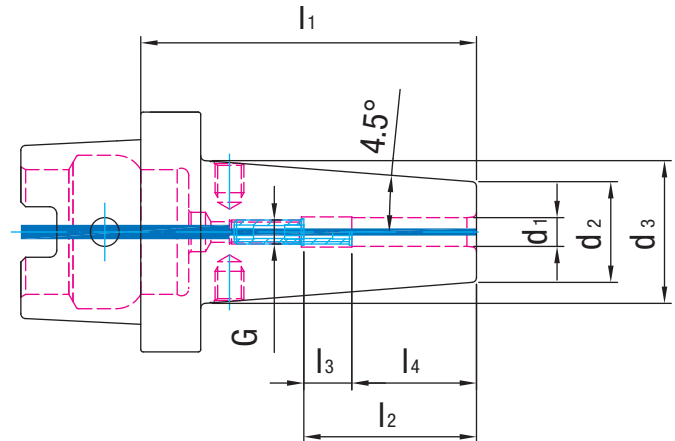
● Available ex stock Germany.

# Shrink fit chuck DIN 69893-C



## Quality characteristics:

- High transferable torque
- High accuracy of cyclic running
- 4,5° program
- Varied outer contour available
- High-strength hot forming tool steel
- Additional cooling ducts possible



Nominal size HSK-C	Dimensions							G	Weight kg	Ref. No.	SAP Ref. No.	On stock
	d <sub>1</sub>	d <sub>2</sub>	d <sub>3</sub>	l <sub>1</sub>	l <sub>2</sub>	l <sub>3</sub>	l <sub>4</sub>					
50	3	10	15	70	28	16	12	M6	0,4	23.306.50.03.Z	30385096	○
50	4	15	22	70	28	12	16	M6	0,4	23.306.50.04.Z	30385098	○
50	5	15	22	70	30	10	20	M6	0,4	23.306.50.05.Z	30385101	○
50	6	21	30	70	36	10	26	M5	0,6	23.306.50.06.Z	30337773	○
50	8	21	30	70	36	10	26	M6	0,6	23.306.50.08.Z	30337776	○
50	10	24	33	75	41	10	31	M8x1	0,6	23.306.50.10.Z	30337777	○
50	12	24	34	80	47	10	37	M10x1	0,7	23.306.50.12.Z	30337778	○
50	14	27	37	80	47	10	37	M10x1	0,7	23.306.50.14.Z	30337779	○
50	16	27	38,5	85	50	10	40	M12x1	0,7	23.306.50.16.Z	30337780	○
50	18	33	44,5	85	50	10	40	M12x1	0,8	23.306.50.18.Z	30337781	○
50	20	33	45	90	52	10	42	M16x1	0,8	23.306.50.20.Z	30337782	○

Dimensions in mm.

Shrink extensions at the end of this chapter.

Spare parts and accessories at the end of this chapter.

Special versions on request..

○ Products not on stock (delivery time on request).

● Available ex stock Germany.



# Shrink fit chuck

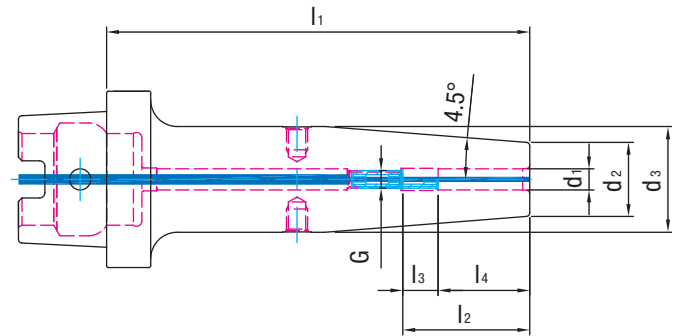
## DIN 69893-C

Long version



### Quality characteristics:

- High transferable torque
- High accuracy of cyclic running
- 4,5° program
- Varied outer contour available
- High-strength hot forming tool steel
- Additional cooling ducts possible



Nominal size HSK-C	Dimensions							G	Weight kg	Ref. No.	SAP Ref. No.	On stock
	d <sub>1</sub>	d <sub>2</sub>	d <sub>3</sub>	l <sub>1</sub>	l <sub>2</sub>	l <sub>3</sub>	l <sub>4</sub>					
50	3	10	20	120			12		0,5	23.306.50.03.Z/120	30385103	○
50	3	10	20	160			12		0,5	23.306.50.03.Z/160	30385130	○
50	4	15	22	120			16		0,5	23.306.50.04.Z/120	30385105	○
50	4	15	22	160			16		0,5	23.306.50.04.Z/160	30385132	○
50	5	15	22	120			20		0,5	23.306.50.05.Z/120	30385106	○
50	5	15	22	160			20		0,5	23.306.50.05.Z/160	30385138	○
50	6	21	30	120	36	10	26	M5	0,7	23.306.50.06.Z/120	30337774	○
50	6	21	30	160	36	10	26	M5	0,8	23.306.50.06.Z/160	30337775	○
50	8	21	30	120	36	10	26	M6	0,7	23.306.50.08.Z/120	30385108	○
50	8	21	30	160	36	10	26	M6	0,8	23.306.50.08.Z/160	30385140	○
50	10	24	33	120	41	10	31	M8x1	0,7	23.306.50.10.Z/120	30385110	○
50	10	24	33	160	41	10	31	M8x1	0,8	23.306.50.10.Z/160	30385141	○
50	12	24	34	120	47	10	37	M10x1	0,8	23.306.50.12.Z/120	30385112	○
50	12	24	34	160	47	10	37	M10x1	0,9	23.306.50.12.Z/160	30385142	○
50	14	27	37	120	47	10	37	M10x1	0,8	23.306.50.14.Z/120	30385113	○
50	14	27	37	160	47	10	37	M10x1	0,9	23.306.50.14.Z/160	30385254	○
50	16	27	38,5	120	50	10	40	M12x1	0,8	23.306.50.16.Z/120	30385120	○
50	16	27	38,5	160	50	10	40	M12x1	0,9	23.306.50.16.Z/160	30385255	○
50	18	33	44,5	120	50	10	40	M12x1	0,9	23.306.50.18.Z/120	30385124	○
50	18	33	44,5	160	50	10	40	M12x1	1,0	23.306.50.18.Z/160	30385257	○
50	20	33	45	120	52	10	42	M16x1	0,9	23.306.50.20.Z/120	30385126	○
50	20	33	45	160	52	10	42	M16x1	1,0	23.306.50.20.Z/160	30385258	○

Dimensions in mm.

Shrink extensions at the end of this chapter.

Spare parts and accessories at the end of this chapter.

Special versions on request.

○ Products not on stock (delivery time on request).

● Available ex stock Germany.

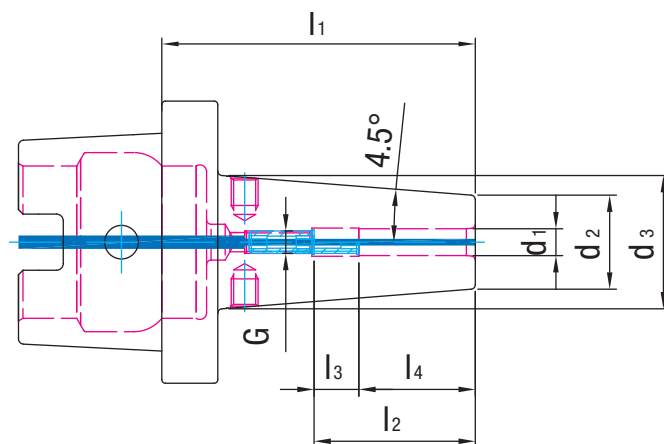
# Shrink fit chuck

## DIN 69893-C



### Quality characteristics:

- High transferable torque
- High accuracy of cyclic running
- 4,5° program
- Varied outer contour available
- High-strength hot forming tool steel
- Additional cooling ducts possible



Nominal size HSK-C	Dimensions							G	Weight kg	Ref. No.	SAP Ref. No.	On stock
	d <sub>1</sub>	d <sub>2</sub>	d <sub>3</sub>	l <sub>1</sub>	l <sub>2</sub>	l <sub>3</sub>	l <sub>4</sub>					
63	3	10	15	70	28	16	12	M6	0,6	23.306.63.03.Z	30385259	○
63	4	15	22	70	28	12	16	M6	0,6	23.306.63.04.Z	30337783	○
63	5	15	22	70	30	10	20	M6	0,6	23.306.63.05.Z	30385260	○
63	6	21	30	70	36	10	26	M5	0,7	23.306.63.06.Z	30337784	○
63	8	21	30	70	36	10	26	M6	0,7	23.306.63.08.Z	30337786	○
63	10	24	34	75	41	10	31	M8x1	0,8	23.306.63.10.Z	30337788	○
63	12	24	34	80	47	10	37	M10x1	0,8	23.306.63.12.Z	30337791	○
63	14	27	36	80	47	10	37	M10x1	0,8	23.306.63.14.Z	30337792	○
63	16	27	36	85	50	10	40	M12x1	0,8	23.306.63.16.Z	30337793	○
63	18	33	44	85	50	10	40	M12x1	1,0	23.306.63.18.Z	30337795	○
63	20	33	45	90	52	10	42	M16x1	1,0	23.306.63.20.Z	30337797	○
63	25	44	53	100	58	10	48	M16x1	1,4	23.306.63.25.Z	30337798	○
63	32	44	53	110	62	10	52	M16x1	1,5	23.306.63.32.Z	30337799	○

Dimensions in mm.

Shrink extensions at the end of this chapter.

Spare parts and accessories at the end of this chapter.

Special versions on request.

○ Products not on stock (delivery time on request).

● Available ex stock Germany.

# Shrink fit chuck

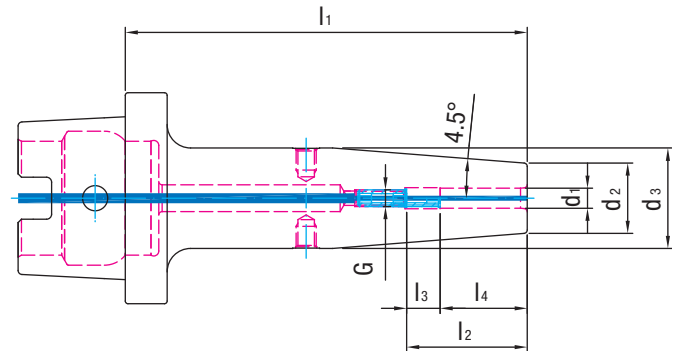
## DIN 69893-C

Long version



### Quality characteristics:

- High transferable torque
- High accuracy of cyclic running
- 4,5° program
- Varied outer contour available
- High-strength hot forming tool steel
- Additional cooling ducts possible



Nominal size HSK-C	Dimensions							G	Weight kg	Ref. No.	SAP Ref. No.	On stock
	d <sub>1</sub>	d <sub>2</sub>	d <sub>3</sub>	l <sub>1</sub>	l <sub>2</sub>	l <sub>3</sub>	l <sub>4</sub>					
63	3	10	20	120			12		0,7	23.306.63.03.Z/120	30385261	○
63	3	10	20	160			12		0,8	23.306.63.03.Z/160	30386160	○
63	4	15	22	120			16		0,7	23.306.63.04.Z/120	30385262	○
63	4	15	22	160			16		0,8	23.306.63.04.Z/160	30386161	○
63	5	15	22	120			20		0,7	23.306.63.05.Z/120	30385263	○
63	5	15	22	160			20		0,8	23.306.63.05.Z/160	30386164	○
63	6	21	30	120	36	10	26	M5	0,8	23.306.63.06.Z/120	30337785	○
63	6	21	30	160	36	10	26	M5	0,9	23.306.63.06.Z/160	30386167	○
63	8	21	30	120	36	10	26	M6	0,8	23.306.63.08.Z/120	30337787	○
63	8	21	27	160	36	10	26	M6	0,9	23.306.63.08.Z/160	30386168	○
63	10	24	34	120	41	10	31	M8x1	0,9	23.306.63.10.Z/120	30337789	○
63	10	24	34	160	41	10	31	M8x1	1,0	23.306.63.10.Z/160	30337790	○
63	12	24	34	120	47	10	37	M10x1	0,9	23.306.63.12.Z/120	30385264	○
63	12	24	34	160	47	10	37	M10x1	1,0	23.306.63.12.Z/160	30386169	○
63	14	27	36	120	47	10	37	M10x1	0,9	23.306.63.14.Z/120	30385265	○
63	14	27	36	160	47	10	37	M10x1	1,0	23.306.63.14.Z/160	30386172	○
63	16	27	36	120	50	10	40	M12x1	0,9	23.306.63.16.Z/120	30337794	○
63	16	27	36	160	50	10	40	M12x1	1,0	23.306.63.16.Z/160	30386173	○
63	18	33	44	120	50	10	40	M12x1	1,1	23.306.63.18.Z/120	30337796	○
63	18	33	44	160	50	10	40	M12x1	1,2	23.306.63.18.Z.160	30386176	○
63	20	33	45	120	52	10	42	M16x1	1,1	23.306.63.20.Z/120	30385266	○
63	20	33	45	160	52	10	42	M16x1	1,2	23.306.63.20.Z/160	30386178	○
63	25	44	53	120	58	10	48	M16x1	1,5	23.306.63.25.Z/120	30385267	○
63	25	44	53	160	58	10	48	M16x1	1,7	23.306.63.25.Z/160	30386180	○
63	32	44	53	160	62	10	52	M16x1	1,7	23.306.63.32.Z/160	30386183	○

Dimensions in mm.

Shrink extensions at the end of this chapter.

Spare parts and accessories at the end of this chapter.

Special versions on request.

○ Products not on stock (delivery time on request).

● Available ex stock Germany.

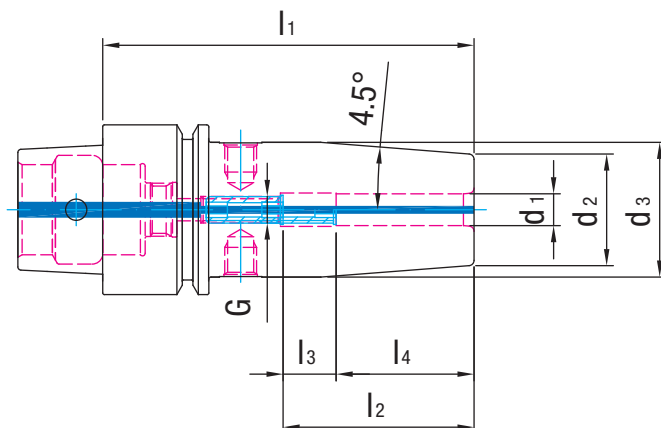
# Shrink fit chuck

## DIN 69893-E



### Quality characteristics:

- High transferable torque
- High accuracy of cyclic running
- 4,5° program
- Varied outer contour available
- High-strength hot forming tool steel
- Additional cooling ducts possible



Nominal size HSK-E	Dimensions							G	Weight kg	Ref. No.	SAP Ref. No.	On stock
	d <sub>1</sub>	d <sub>2</sub>	d <sub>3</sub>	l <sub>1</sub>	l <sub>2</sub>	l <sub>3</sub>	l <sub>4</sub>					
32	3	10	15	60	28	16	12	M5	0,2	18.306.32.03.Z	30337540	○
32	4	10	15	60	28	12	16	M5	0,2	18.306.32.04.Z	30337541	○
32	5	10	15	60	30	10	20	M5	0,2	18.306.32.05.Z	30337542	○
32	6	21	25	70	36	10	26	M5	0,3	18.306.32.06.Z	30337543	○
32	8	21	25	70	36	10	26	M6	0,3	18.306.32.08.Z	30337544	○
32	10	24	29	75	41	10	31	M8x1	0,4	18.306.32.10.Z	30337545	○
32	12	24	29	80	47	10	37	M10x1	0,4	18.306.32.12.Z	30337546	○

Dimensions in mm.

Shrink extensions at the end of this chapter.

Spare parts and accessories at the end of this chapter.

Special versions on request.

○ Products not on stock (delivery time on request).

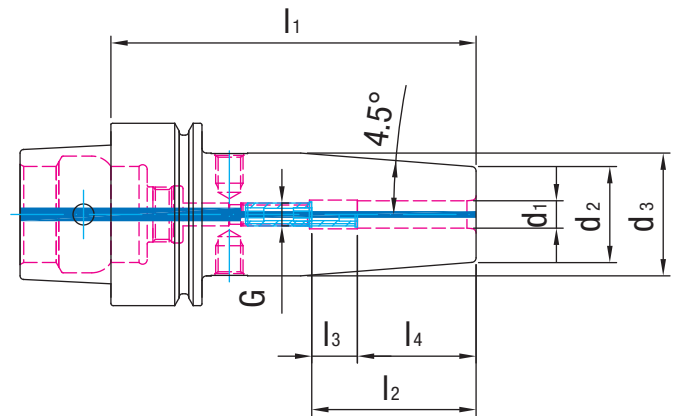
● Available ex stock Germany.

# Shrink fit chuck DIN 69893-E



## Quality characteristics:

- High transferable torque
- High accuracy of cyclic running
- 4,5° program
- Varied outer contour available
- High-strength hot forming tool steel
- Additional cooling ducts possible



Nominal size HSK-E	Dimensions							G	Weight kg	Ref. No.	SAP Ref. No.	On stock
	d <sub>1</sub>	d <sub>2</sub>	d <sub>3</sub>	l <sub>1</sub>	l <sub>2</sub>	l <sub>3</sub>	l <sub>4</sub>					
40	3	10	15	60	28	16	12	M6	0,3	18.306.40.03.Z	30337547	●
40	4	10	15	60	28	12	16	M6	0,3	18.306.40.04.Z	30337550	●
40	5	10	15	60	30	10	20	M6	0,3	18.306.40.05.Z	30337553	●
40	6	21	27	80	36	10	26	M5	0,4	18.306.40.06.Z	30337556	●
40	8	21	27	80	36	10	26	M6	0,4	18.306.40.08.Z	30337559	●
40	10	24	32	80	41	10	31	M8x1	0,5	18.306.40.10.Z	30337562	●
40	12	24	32	90	47	10	37	M10x1	0,5	18.306.40.12.Z	30337565	●
40	14	27	33,5	90	47	10	37	M10x1	0,6	18.306.40.14.Z	30337568	●
40	16	27	33,5	90	50	10	40	M12x1	0,5	18.306.40.16.Z	30337571	●

Dimensions in mm.

Shrink extensions at the end of this chapter.

Spare parts and accessories at the end of this chapter.

Special versions on request.

○ Products not on stock (delivery time on request).

● Available ex stock Germany.

# Shrink fit chuck

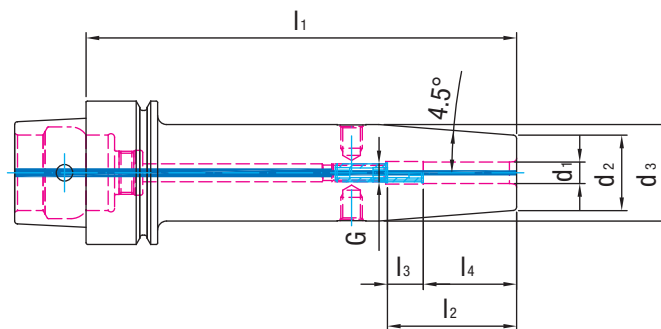
## DIN 69893-E

Long version



### Quality characteristics:

- High transferable torque
- High accuracy of cyclic running
- 4,5° program
- Varied outer contour available
- High-strength hot forming tool steel
- Additional cooling ducts possible



Nominal size HSK-E	Dimensions							G	Weight kg	Ref. No.	SAP Ref. No.	On stock
	d <sub>1</sub>	d <sub>2</sub>	d <sub>3</sub>	l <sub>1</sub>	l <sub>2</sub>	l <sub>3</sub>	l <sub>4</sub>					
40	3	10	20	120			12		0,4	18.306.40.03.Z/120	30337548	○
40	3	10	20	160			12		0,5	18.306.40.03.Z/160	30337549	○
40	4	15	22	120			16		0,4	18.306.40.04.Z/120	30337551	○
40	4	15	22	160			16		0,5	18.306.40.04.Z/160	30337552	○
40	5	15	22	120			20		0,4	18.306.40.05.Z/120	30337554	○
40	5	15	22	160			20		0,5	18.306.40.05.Z/160	30337555	○
40	6	21	27	120	36	10	26	M5	0,6	18.306.40.06.Z/120	30337557	○
40	6	21	27	160	36	10	26	M5	0,7	18.306.40.06.Z/160	30337558	○
40	8	21	27	120	36	10	26	M6	0,6	18.306.40.08.Z/120	30337560	○
40	8	21	27	160	36	10	26	M6	0,7	18.306.40.08.Z/160	30337561	○
40	10	24	32	120	41	10	31	M8x1	0,7	18.306.40.10.Z/120	30337563	○
40	10	24	32	160	41	10	31	M8x1	0,8	18.306.40.10.Z/160	30337564	○
40	12	24	32	120	47	10	37	M10x1	0,7	18.306.40.12.Z/120	30337566	○
40	12	24	32	160	47	10	37	M10x1	0,8	18.306.40.12.Z/160	30337567	○
40	14	27	33,5	120	47	10	37	M10x1	0,8	18.306.40.14.Z/120	30337569	○
40	14	27	33,5	160	47	10	37	M10x1	0,9	18.306.40.14.Z/160	30337570	○
40	16	27	33,5	120	50	10	40	M12x1	0,7	18.306.40.16.Z/120	30337572	○
40	16	27	33,5	160	50	10	40	M12x1	0,8	18.306.40.16.Z/160	30337573	○

Dimensions in mm.

Shrink extensions at the end of this chapter.

Spare parts and accessories at the end of this chapter.

Special versions on request.

○ Products not on stock (delivery time on request).

● Available ex stock Germany.

# Shrink fit chuck

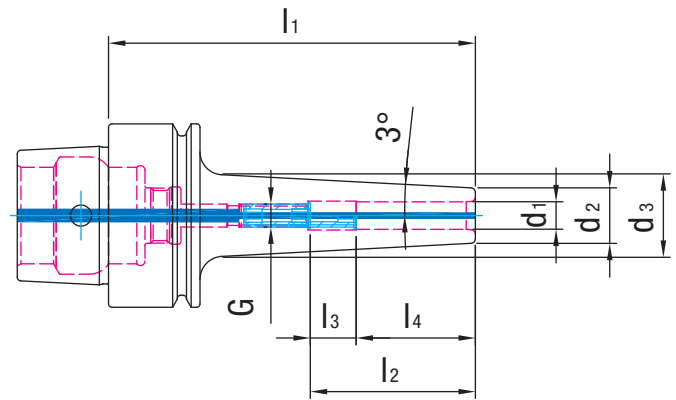
## DIN 69893-E

Slim version, 3°



### Quality characteristics:

- High transferable torque
- High accuracy of cyclic running
- 3° program
- Varied outer contour available
- High-strength hot forming tool steel
- Additional cooling ducts possible



Nominal size HSK-E	Dimensions							G	Weight kg	Ref. No.	SAP Ref. No.	On stock
	d <sub>1</sub>	d <sub>2</sub>	d <sub>3</sub>	l <sub>1</sub>	l <sub>2</sub>	l <sub>3</sub>	l <sub>4</sub>					
40	3	9	13	60	28	16	12	M6	0,3	18.304.40.03.Z/60	30407142	○
40	3	9	14	70	28	16	12	M6	0,3	18.304.40.03.Z/70	30456361	○
40	3	9	15	80	28	16	12	M6	0,3	18.304.40.03.Z/80	30456373	○
40	4	10	14	60	28	12	16	M6	0,3	18.304.40.04.Z/60	30407144	○
40	4	10	15	70	28	12	16	M6	0,3	18.304.40.04.Z/70	30456362	○
40	4	10	16	80	28	12	16	M6	0,3	18.304.40.04.Z/80	30456374	○
40	5	11	15	60	30	10	20	M6	0,3	18.304.40.05.Z/60	30407146	○
40	5	11	16	70	30	10	20	M6	0,3	18.304.40.05.Z/70	30456364	○
40	5	11	17	80	30	10	20	M6	0,3	18.304.40.05.Z/80	30457376	○
40	6	12	16	60	36	10	26	M5	0,3	18.304.40.06.Z/60	30456341	○
40	6	12	17	70	36	10	26	M5	0,3	18.304.40.06.Z/70	30456365	○
40	6	12	18	80	36	10	26	M5	0,3	18.304.40.06.Z/80	30407149	○
40	8	14	18	60	36	10	26	M5	0,3	18.304.40.08.Z/60	30456343	○
40	8	14	19	70	36	10	26	M5	0,3	18.304.40.08.Z/70	30456366	○
40	8	14	20	80	36	10	26	M6	0,3	18.304.40.08.Z/80	30407150	○
40	10	16	20	60	38	7	31	M5	0,3	18.304.40.10.Z/60	30456344	○
40	10	16	21	70	41	10	31	M5	0,3	18.304.40.10.Z/70	30456368	○
40	10	16	22	80	41	10	31	M8x1	0,3	18.304.40.10.Z/80	30407152	○
40	12	18	22	60	40	3	37	M5	0,3	18.304.40.12.Z/60	30456347	○
40	12	18	23	70	47	10	37	M5	0,3	18.304.40.12.Z/70	30456370	○
40	12	18	24	80	47	10	37	M5	0,4	18.304.40.12.Z/80	30456377	○

Dimensions in mm.

Shrink extensions at the end of this chapter.

Spare parts and accessories at the end of this chapter.

Special versions on request.

○ Products not on stock (delivery time on request).

● Available ex stock Germany.

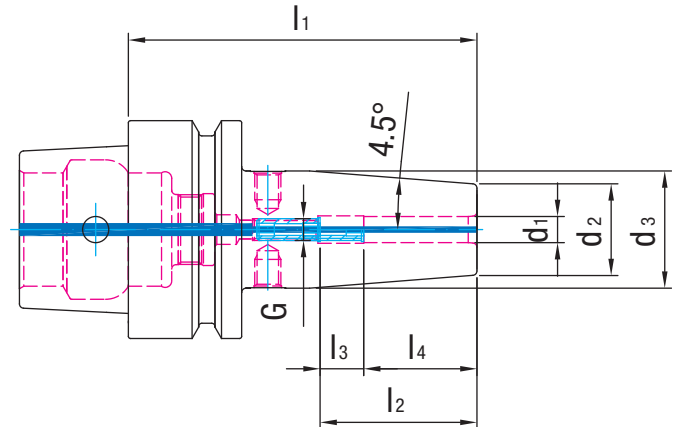
# Shrink fit chuck

## DIN 69893-E



### Quality characteristics:

- High transferable torque
- High accuracy of cyclic running
- 4,5° program
- Varied outer contour available
- High-strength hot forming tool steel
- Additional cooling ducts possible



Nominal size HSK-E	Dimensions							G	Weight kg	Ref. No.	SAP Ref. No.	On stock
	d <sub>1</sub>	d <sub>2</sub>	d <sub>3</sub>	l <sub>1</sub>	l <sub>2</sub>	l <sub>3</sub>	l <sub>4</sub>					
50	3	10	15	80	28	16	12	M6	0,4	18.306.50.03.Z	30337574	●
50	4	15	22	80	28	12	16	M6	0,5	18.306.50.04.Z	30337577	●
50	5	15	22	80	30	10	20	M6	0,5	18.306.50.05.Z	30337580	●
50	6	21	27	80	36	10	26	M5	0,7	18.306.50.06.Z	30337583	●
50	8	21	27	80	36	10	26	M6	0,6	18.306.50.08.Z	30337586	●
50	10	24	32	85	41	10	31	M8x1	0,7	18.306.50.10.Z	30337589	●
50	12	24	32	90	47	10	37	M10x1	0,7	18.306.50.12.Z	30337592	●
50	14	27	34	90	47	10	37	M10x1	0,7	18.306.50.14.Z	30337595	●
50	16	27	34	95	50	10	40	M12x1	0,7	18.306.50.16.Z	30337598	●
50	18	33	42	95	50	10	40	M12x1	0,9	18.306.50.18.Z	30337601	●
50	20	33	42	100	52	10	42	M16x1	0,9	18.306.50.20.Z	30337604	●

Dimensions in mm.

Shrink extensions at the end of this chapter.

Spare parts and accessories at the end of this chapter.

Special versions on request.

○ Products not on stock (delivery time on request).

● Available ex stock Germany.



# Shrink fit chuck

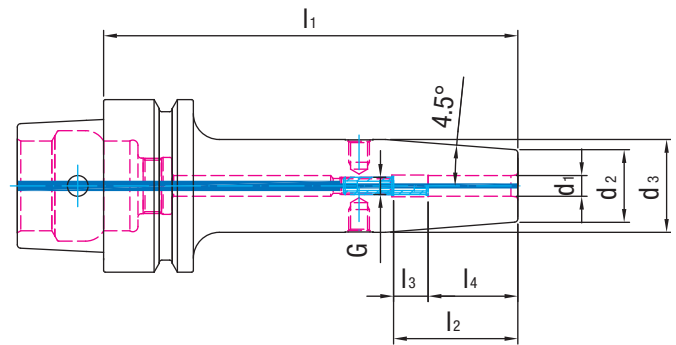
## DIN 69893-E

Long version



### Quality characteristics:

- High transferable torque
- High accuracy of cyclic running
- 4,5° program
- Varied outer contour available
- High-strength hot forming tool steel
- Additional cooling ducts possible



Nominal size HSK-E	Dimensions							G	Weight kg	Ref. No.	SAP Ref. No.	On stock
	d <sub>1</sub>	d <sub>2</sub>	d <sub>3</sub>	l <sub>1</sub>	l <sub>2</sub>	l <sub>3</sub>	l <sub>4</sub>					
50	3	10	20	120			12		0,5	18.306.50.03.Z/120	30337575	○
50	3	10	20	160			12		0,6	18.306.50.03.Z/160	30337576	○
50	4	15	22	120			16		0,6	18.306.50.04.Z/120	30337578	○
50	4	15	22	160			16		0,7	18.306.50.04.Z/160	30337579	○
50	5	15	22	120			20		0,6	18.306.50.05.Z/120	30337581	○
50	5	15	22	160			20		0,7	18.306.50.05.Z/160	30337582	○
50	6	21	27	120	36	10	26	M5	0,8	18.306.50.06.Z/120	30337584	○
50	6	21	27	160	36	10	26	M5	0,9	18.306.50.06.Z/160	30337585	○
50	8	21	27	120	36	10	26	M6	0,8	18.306.50.08.Z/120	30337587	○
50	8	21	27	160	36	10	26	M6	0,9	18.306.50.08.Z/160	30337588	○
50	10	24	32	120	41	10	31	M8x1	0,8	18.306.50.10.Z/120	30337590	○
50	10	24	32	160	41	10	31	M8x1	0,9	18.306.50.10.Z/160	30337591	○
50	12	24	32	120	47	10	37	M10x1	0,8	18.306.50.12.Z/120	30337593	○
50	12	24	32	160	47	10	37	M10x1	0,9	18.306.50.12.Z/160	30337594	○
50	14	27	34	120	47	10	37	M10x1	0,8	18.306.50.14.Z/120	30337596	○
50	14	27	34	160	47	10	37	M10x1	0,9	18.306.50.14.Z/160	30337597	○
50	16	27	34	120	50	10	40	M12x1	0,8	18.306.50.16.Z/120	30337599	○
50	16	27	34	160	50	10	40	M12x1	0,9	18.306.50.16.Z/160	30337600	○
50	18	33	42	120	50	10	40	M12x1	1,0	18.306.50.18.Z/120	30337602	○
50	18	33	42	160	50	10	40	M12x1	1,1	18.306.50.18.Z.160	30337603	○
50	20	33	42	120	52	10	42	M16x1	1,0	18.306.50.20.Z/120	30337605	○
50	20	33	42	160	52	10	42	M16x1	1,1	18.306.50.20.Z/160	30337606	○

Dimensions in mm.

Shrink extensions at the end of this chapter.

Spare parts and accessories at the end of this chapter.

Special versions on request.

○ Products not on stock (delivery time on request).

● Available ex stock Germany.

# Shrink fit chuck

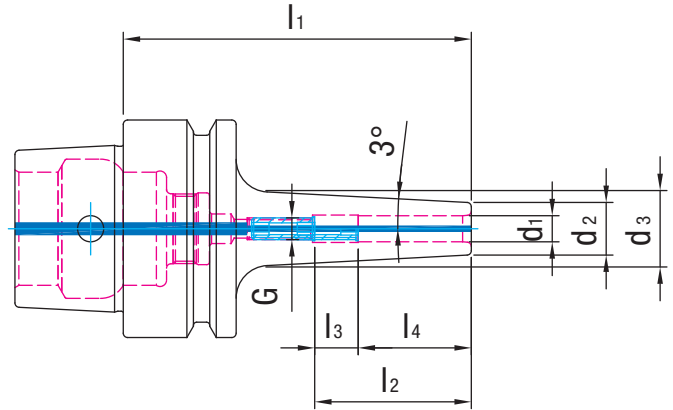
## DIN 69893-E

Slim version, 3°



### Quality characteristics:

- High transferable torque
- High accuracy of cyclic running
- 3° program
- Varied outer contour available
- High-strength hot forming tool steel
- Additional cooling ducts possible



Nominal size HSK-E	Dimensions							G	Weight kg	Ref. No.	SAP Ref. No.	On stock
	d <sub>1</sub>	d <sub>2</sub>	d <sub>3</sub>	l <sub>1</sub>	l <sub>2</sub>	l <sub>3</sub>	l <sub>4</sub>					
50	3	9	14	70	28	16	12	M6	0,5	18.304.50.03.Z/70	30456842	○
50	3	9	15	80	28	16	12	M6	0,5	18.304.50.03.Z/80	30456961	○
50	3	9	17	100	28	16	12	M6	0,5	18.304.50.03.Z/100	30456972	○
50	4	10	15	70	28	12	16	M6	0,5	18.304.50.04.Z/70	30456846	○
50	4	10	16	80	28	12	16	M6	0,5	18.304.50.04.Z/80	30456964	○
50	4	10	18	100	28	12	16	M6	0,5	18.304.50.04.Z/100	30456973	○
50	5	11	16	70	30	10	20	M6	0,5	18.304.50.05.Z/70	30456850	○
50	5	11	17	80	30	10	20	M6	0,5	18.304.50.05.Z/80	30456965	○
50	5	11	19	100	30	10	20	M6	0,5	18.304.50.05.Z/100	30456975	○
50	6	12	17	70	36	10	26	M5	0,5	18.304.50.06.Z/70	30456852	○
50	6	12	18	80	36	10	26	M5	0,5	18.304.50.06.Z/80	30456966	○
50	6	12	20	100	36	10	26	M5	0,5	18.304.50.06.Z/100	30456977	○
50	8	14	19	70	36	10	26	M5	0,5	18.304.50.08.Z/70	30456855	○
50	8	14	20	80	36	10	26	M6	0,5	18.304.50.08.Z/80	30456968	○
50	8	14	22	100	36	10	26	M6	0,6	18.304.50.08.Z/100	30456979	○
50	10	16	21	70	41	10	31	M5	0,5	18.304.50.10.Z/70	30456857	○
50	10	16	22	80	41	10	31	M5	0,5	18.304.50.10.Z/80	30456969	○
50	10	16	24	100	41	10	31	M8x1	0,6	18.304.50.10.Z/100	30456980	○
50	12	18	23	70	44	7	37	M5	0,5	18.304.50.12.Z/70	30456858	○
50	12	18	24	80	47	10	37	M5	0,5	18.304.50.12.Z/80	30456970	○
50	12	18	26	100	47	10	37	M10x1	0,6	18.304.50.12.Z/100	30456981	○

Dimensions in mm.

Shrink extensions at the end of this chapter.

Spare parts and accessories at the end of this chapter.

Special versions on request.

○ Products not on stock (delivery time on request).

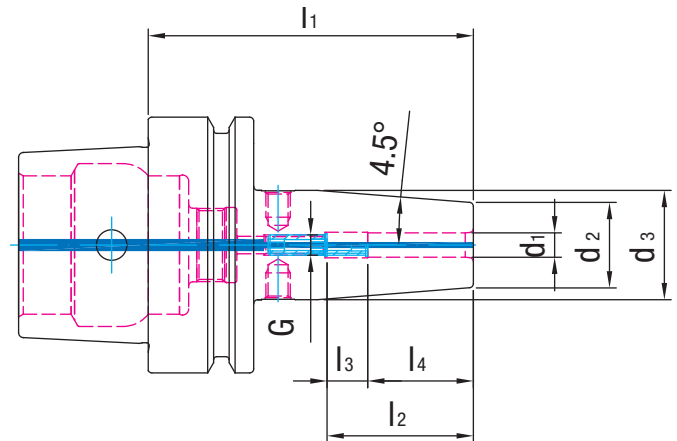
● Available ex stock Germany.

# Shrink fit chuck DIN 69893-E



## Quality characteristics:

- High transferable torque
- High accuracy of cyclic running
- 4,5° program
- Varied outer contour available
- High-strength hot forming tool steel
- Additional cooling ducts possible



Nominal size HSK-E	Dimensions							G	Weight kg	Ref. No.	SAP Ref. No.	On stock
	d <sub>1</sub>	d <sub>2</sub>	d <sub>3</sub>	l <sub>1</sub>	l <sub>2</sub>	l <sub>3</sub>	l <sub>4</sub>					
63	3	10	15	80	28	16	12	M6	0,7	18.306.63.03.Z	30337607	●
63	4	15	22	80	28	12	16	M6	0,7	18.306.63.04.Z	30337610	●
63	5	15	22	80	30	10	20	M6	0,7	18.306.63.05.Z	30337613	●
63	6	21	27	80	36	10	26	M5	0,8	18.306.63.06.Z	30337616	●
63	8	21	27	80	36	10	26	M6	0,8	18.306.63.08.Z	30337619	●
63	10	24	32	85	41	10	31	M8x1	0,9	18.306.63.10.Z	30337622	●
63	12	24	32	90	47	10	37	M10x1	0,9	18.306.63.12.Z	30337625	●
63	14	27	34	90	47	10	37	M10x1	1,0	18.306.63.14.Z	30337628	●
63	16	27	34	95	50	10	40	M12x1	1,0	18.306.63.16.Z	30337631	●
63	18	33	42	95	50	10	40	M12x1	1,1	18.306.63.18.Z	30337634	●
63	20	33	42	100	52	10	42	M16x1	1,1	18.306.63.20.Z	30337637	●
63	25	44	53	115	58	10	48	M16x1	1,6	18.306.63.25.Z	30337640	●
63	32	44	53	120	62	10	52	M16x1	1,6	18.306.63.32.Z	30337643	●

Dimensions in mm.

Shrink extensions at the end of this chapter.

Spare parts and accessories at the end of this chapter.

Special versions on request.

○ Products not on stock (delivery time on request).

● Available ex stock Germany.

# Shrink fit chuck

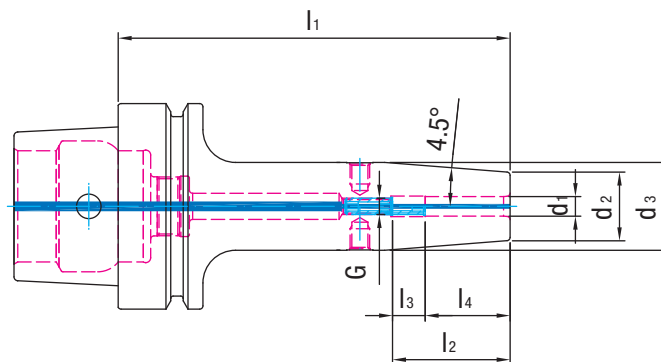
## DIN 69893-E

Long version



### Quality characteristics:

- High transferable torque
- High accuracy of cyclic running
- 4,5° program
- Varied outer contour available
- High-strength hot forming tool steel
- Additional cooling ducts possible



Nominal size HSK-E	Dimensions							G	Weight kg	Ref. No.	SAP Ref. No.	On stock
	d <sub>1</sub>	d <sub>2</sub>	d <sub>3</sub>	l <sub>1</sub>	l <sub>2</sub>	l <sub>3</sub>	l <sub>4</sub>					
63	3	10	20	120			12		0,8	18.306.63.03.Z/120	30337608	○
63	3	10	20	160			12		0,9	18.306.63.03.Z/160	30337609	○
63	4	15	22	120			16		0,8	18.306.63.04.Z/120	30337611	○
63	4	15	22	160			16		0,9	18.306.63.04.Z/160	30337612	○
63	5	15	22	120			20		0,8	18.306.63.05.Z/120	30337614	○
63	5	15	22	160			20		0,9	18.306.63.05.Z/160	30337615	○
63	6	21	27	120	36	10	26	M5	0,9	18.306.63.06.Z/120	30337617	○
63	6	21	27	160	36	10	26	M5	1,0	18.306.63.06.Z/160	30337618	○
63	8	21	27	120	36	10	26	M6	0,9	18.306.63.08.Z/120	30337620	○
63	8	21	27	160	36	10	26	M6	1,0	18.306.63.08.Z/160	30337621	○
63	10	24	32	120	41	10	31	M8x1	1,0	18.306.63.10.Z/120	30337623	○
63	10	24	32	160	41	10	31	M8x1	1,1	18.306.63.10.Z/160	30337624	○
63	12	24	32	120	47	10	37	M10x1	1,0	18.306.63.12.Z/120	30337626	○
63	12	24	32	160	47	10	37	M10x1	1,1	18.306.63.12.Z/160	30337627	○
63	14	27	34	120	47	10	37	M10x1	1,1	18.306.63.14.Z/120	30337629	○
63	14	27	34	160	47	10	37	M10x1	1,2	18.306.63.14.Z/160	30337630	○
63	16	27	34	120	50	10	40	M12x1	1,2	18.306.63.16.Z/120	30337632	○
63	16	27	34	160	50	10	40	M12x1	1,4	18.306.63.16.Z/160	30337633	○
63	18	33	42	120	50	10	40	M12x1	1,3	18.306.63.18.Z/120	30337635	○
63	18	33	42	160	50	10	40	M12x1	1,5	18.306.63.18.Z.160	30337636	○
63	20	33	42	120	52	10	42	M16x1	1,3	18.306.63.20.Z/120	30337638	○
63	20	33	42	160	52	10	42	M16x1	1,5	18.306.63.20.Z/160	30337639	○
63	25	44	53	120	58	10	48	M16x1	1,6	18.306.63.25.Z/120	30337641	○
63	25	44	53	160	58	10	48	M16x1	1,8	18.306.63.25.Z/160	30337642	○
63	32	44	53	160	62	10	52	M16x1	1,7	18.306.63.32.Z/160	30337644	○

Dimensions in mm.

Shrink extensions at the end of this chapter.

Spare parts and accessories at the end of this chapter.

Special versions on request.

○ Products not on stock (delivery time on request).

● Available ex stock Germany.

# Shrink fit chuck

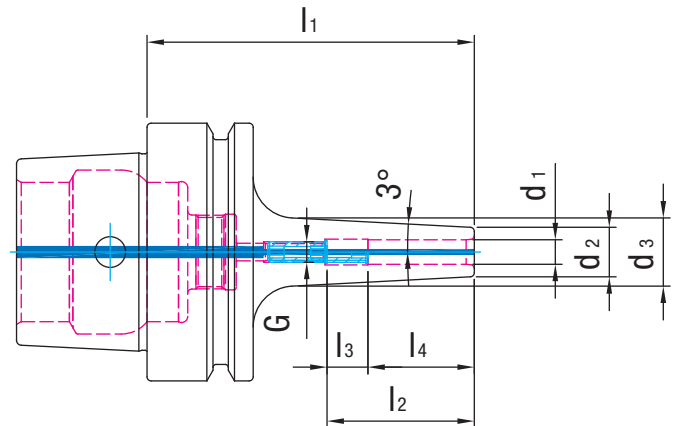
## DIN 69893-E

Slim version, 3°



### Quality characteristics:

- High transferable torque
- High accuracy of cyclic running
- 3° program
- Varied outer contour available
- High-strength hot forming tool steel
- Additional cooling ducts possible



Nominal size HSK-E	Dimensions							G	Weight kg	Ref. No.	SAP Ref. No.	On stock
	d <sub>1</sub>	d <sub>2</sub>	d <sub>3</sub>	l <sub>1</sub>	l <sub>2</sub>	l <sub>3</sub>	l <sub>4</sub>					
63	6	12	18	80	36	10	26	M5	0,8	18.304.63.06.Z/80	30456806	○
63	8	14	20	80	36	10	26	M6	0,8	18.304.63.08.Z/80	30456812	○
63	10	16	22	80	41	10	31	M5	0,8	18.304.63.10.Z/80	30456817	○
63	12	18	24	80	47	10	37	M5	0,8	18.304.63.12.Z/80	30456821	○

Dimensions in mm.

Shrink extensions at the end of this chapter.

Spare parts and accessories at the end of this chapter.

Special versions on request.

○ Products not on stock (delivery time on request).

● Available ex stock Germany.

# Shrink fit chuck

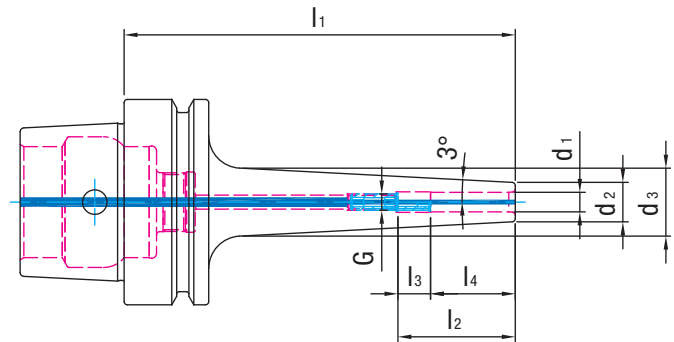
## DIN 69893-E

Long and slim version, 3°



### Quality characteristics:

- High transferable torque
- High accuracy of cyclic running
- 3° program
- Varied outer contour available
- High-strength hot forming tool steel
- Additional cooling ducts possible



Nominal size HSK-E	Dimensions							G	Weight kg	Ref. No.	SAP Ref. No.	On stock
	d <sub>1</sub>	d <sub>2</sub>	d <sub>3</sub>	l <sub>1</sub>	l <sub>2</sub>	l <sub>3</sub>	l <sub>4</sub>					
63	6	12	22	120	36	10	26	M5	0,9	18.304.63.06.Z/120	30456828	○
63	8	14	24	120	36	10	26	M6	0,9	18.304.63.08.Z/120	30456832	○
63	10	16	26	120	41	10	31	M8x1	0,9	18.304.63.10.Z/120	30456835	○
63	12	18	28	120	47	10	37	M10x1	1,0	18.304.63.12.Z/120	30456839	○

Dimensions in mm.

Shrink extensions at the end of this chapter.

Spare parts and accessories at the end of this chapter.

Special versions on request.

○ Products not on stock (delivery time on request).

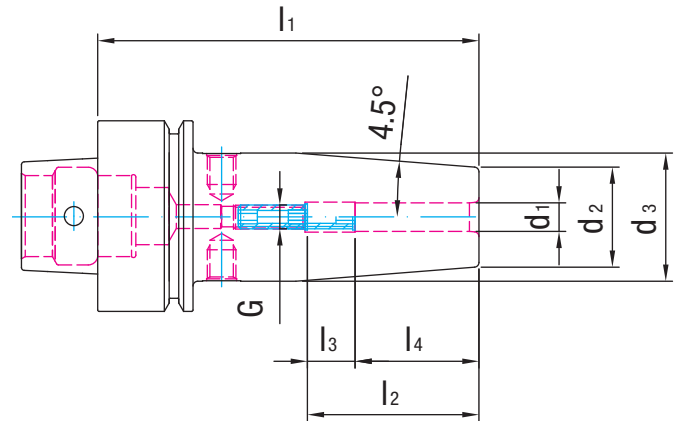
● Available ex stock Germany.

# Shrink fit chuck DIN 69893-F



## Quality characteristics:

- High transferable torque
- High accuracy of cyclic running
- 4,5° program
- Varied outer contour available
- High-strength hot forming tool steel



Nominal size HSK-F	Dimensions							G	Weight kg	Ref. No.	SAP Ref. No.	On stock
	d <sub>1</sub>	d <sub>2</sub>	d <sub>3</sub>	l <sub>1</sub>	l <sub>2</sub>	l <sub>3</sub>	l <sub>4</sub>					
40	3	10	15	60	28	16	12	M6	0,6	17.306.40.03	30337483	○
40	4	10	15	60	28	12	16	M6	0,7	17.306.40.04	30337484	○
40	5	10	15	60	30	10	20	M6	0,7	17.306.40.05	30337485	○
40	6	21	27	80	36	10	26	M5	0,8	17.306.40.06	30337486	○
40	8	21	27	80	36	10	26	M6	0,8	17.306.40.08	30337487	○
40	10	24	32	80	41	10	31	M8x1	0,9	17.306.40.10	30337488	○
40	12	24	32	90	47	10	37	M10x1	0,9	17.306.40.12	30337489	○

Dimensions in mm.

Space for data carrier acc. DIN 69873-E10.

Shrink extensions at the end of this chapter.

Spare parts and accessories at the end of this chapter.

Special versions on request.

○ Products not on stock (delivery time on request).

● Available ex stock Germany.

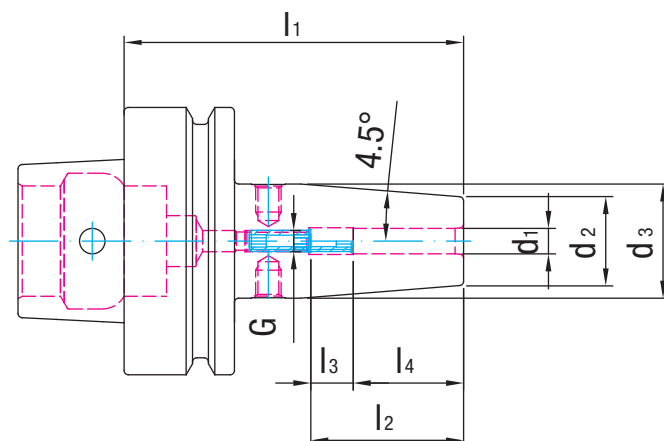
# Shrink fit chuck

## DIN 69893-F



### Quality characteristics:

- High transferable torque
- High accuracy of cyclic running
- 4,5° program
- Varied outer contour available
- High-strength hot forming tool steel



Nominal size HSK-F	Dimensions							G	Weight kg	Ref. No.	SAP Ref. No.	On stock
	d <sub>1</sub>	d <sub>2</sub>	d <sub>3</sub>	l <sub>1</sub>	l <sub>2</sub>	l <sub>3</sub>	l <sub>4</sub>					
63	3	10	15	80	28	16	12	M6	0,6	17.306.63.03	30337490	●
63	4	15	22	80	28	12	16	M6	0,7	17.306.63.04	30337493	●
63	5	15	22	80	30	10	20	M6	0,7	17.306.63.05	30337496	●
63	6	21	27	80	36	10	26	M5	0,8	17.306.63.06	30337499	●
63	8	21	27	80	36	10	26	M6	0,8	17.306.63.08	30337502	●
63	10	24	32	85	41	10	31	M8x1	0,9	17.306.63.10	30337505	●
63	12	24	32	90	47	10	37	M10x1	0,9	17.306.63.12	30337508	●
63	14	27	34	90	47	10	37	M10x1	0,9	17.306.63.14	30337511	●
63	16	27	34	95	50	10	40	M12x1	1,0	17.306.63.16	30337514	●
63	18	33	42	95	50	10	40	M12x1	1,1	17.306.63.18	30337517	●
63	20	33	42	100	52	10	42	M16x1	1,1	17.306.63.20	30337520	●
63	25	44	53	115	58	10	48	M16x1	1,6	17.306.63.25	30337523	●
63	32	44	53	120	62	10	52	M16x1	1,6	17.306.63.32	30337526	●

Dimensions in mm.

Space for data carrier acc. DIN 69873-E10.

Shrink extensions at the end of this chapter.

Spare parts and accessories at the end of this chapter.

Special versions on request.

○ Products not on stock (delivery time on request).

● Available ex stock Germany.



# Shrink fit chuck

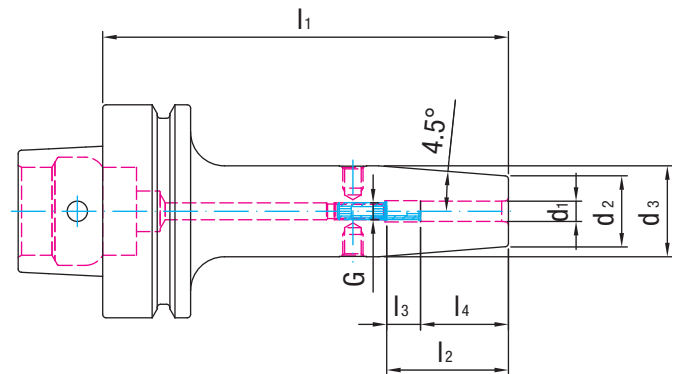
## DIN 69893-F

Long version



### Quality characteristics:

- High transferable torque
- High accuracy of cyclic running
- 4,5° program
- Varied outer contour available
- High-strength hot forming tool steel



Nominal size HSK-F	Dimensions							G	Weight kg	Ref. No.	SAP Ref. No.	On stock
	d <sub>1</sub>	d <sub>2</sub>	d <sub>3</sub>	l <sub>1</sub>	l <sub>2</sub>	l <sub>3</sub>	l <sub>4</sub>					
63	3	10	20	120			12		0,7	17.306.63.03/120	30337491	○
63	3	10	20	160			12		0,8	17.306.63.03/160	30337492	○
63	4	15	22	120			16		0,8	17.306.63.04/120	30337494	○
63	4	15	22	160			16		0,8	17.306.63.04/160	30337495	○
63	5	15	22	120			20		0,8	17.306.63.05/120	30337497	○
63	5	15	22	160			20		0,8	17.306.63.05/160	30337498	○
63	6	21	27	120	36	10	26	M5	1,0	17.306.63.06/120	30337500	○
63	6	21	27	160	36	10	26	M5	1,1	17.306.63.06/160	30337501	○
63	8	21	27	120	36	10	26	M6	1,0	17.306.63.08/120	30337503	○
63	8	21	27	160	36	10	26	M6	1,1	17.306.63.08/160	30337504	○
63	10	24	32	120	41	10	31	M8x1	1,1	17.306.63.10/120	30337506	○
63	10	24	32	160	41	10	31	M8x1	1,3	17.306.63.10/160	30337507	○
63	12	24	32	120	47	10	37	M10x1	1,1	17.306.63.12/120	30337509	○
63	12	24	32	160	47	10	37	M10x1	1,3	17.306.63.12/160	30337510	○
63	14	27	34	120	47	10	37	M10x1	1,1	17.306.63.14/120	30337512	○
63	14	27	34	160	47	10	37	M10x1	1,3	17.306.63.14/160	30337513	○
63	16	27	34	120	50	10	40	M12x1	1,1	17.306.63.16/120	30337515	○
63	16	27	34	160	50	10	40	M12x1	1,4	17.306.63.16/160	30337516	○
63	18	33	42	120	50	10	40	M12x1	1,3	17.306.63.18/120	30337518	○
63	18	33	42	160	50	10	40	M12x1	1,6	17.306.63.18/160	30337519	○
63	20	33	42	120	52	10	42	M16x1	1,3	17.306.63.20/120	30337521	○
63	20	33	42	160	52	10	42	M16x1	1,6	17.306.63.20/160	30337522	○
63	25	44	53	120	58	10	48	M16x1	1,7	17.306.63.25/120	30337524	○
63	25	44	53	160	58	10	48	M16x1	2,0	17.306.63.25/160	30337525	○

Dimensions in mm.

Space for data carrier acc. DIN 69873-E10.

Shrink extensions at the end of this chapter.

Spare parts and accessories at the end of this chapter.

Special versions on request.

○ Products not on stock (delivery time on request).

● Available ex stock Germany.

# Shrink fit chuck

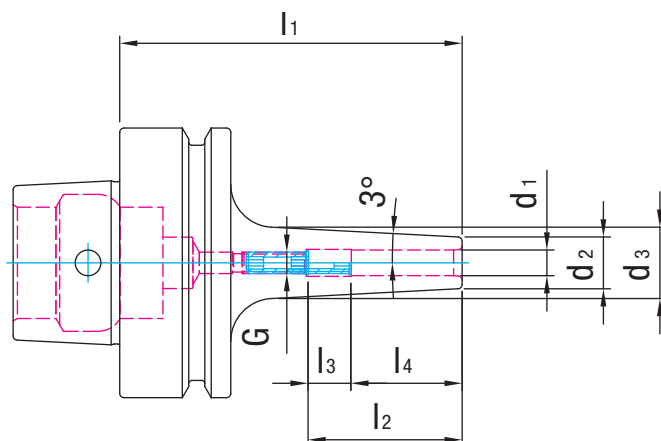
## DIN 69893-F

Slim version, 3°



### Quality characteristics:

- High transferable torque
- High accuracy of cyclic running
- 3° program
- Varied outer contour available
- High-strength hot forming tool steel
- Additional cooling ducts possible



Nominal size HSK-F	Dimensions							G	Weight kg	Ref. No.	SAP Ref. No.	On stock
	d <sub>1</sub>	d <sub>2</sub>	d <sub>3</sub>	l <sub>1</sub>	l <sub>2</sub>	l <sub>3</sub>	l <sub>4</sub>					
63	3	9	14	80	28	16	12	M6	0,7	17.304.63.03	30407202	○
63	4	10	15	80	28	12	16	M6	0,7	17.304.63.04	30407205	○
63	5	11	16	80	30	10	20	M6	0,8	17.304.63.05	30407209	○
63	6	12	17	80	36	10	26	M5	0,8	17.304.63.06	30407237	○
63	8	14	19	80	36	10	26	M6	0,8	17.304.63.08	30407239	○
63	10	16	22	85	41	10	31	M8x1	0,8	17.304.63.10	30407241	○
63	12	18	24	90	47	10	37	M10x1	0,8	17.304.63.12	30407243	○
63	14	20	26	90	47	10	37	M10x1	0,8	17.304.63.14	30407245	○
63	16	22	29	95	50	10	40	M12x1	0,9	17.304.63.16	30407247	○
63	18	24	31	95	50	10	40	M12x1	0,9	17.304.63.18	30407248	○
63	20	27	34	100	52	10	42	M16x1	1,0	17.304.63.20	30407249	○

Dimensions in mm.

Space for data carrier acc. DIN 69873-E10.

Shrink extensions at the end of this chapter.

Spare parts and accessories at the end of this chapter.

Special versions on request.

○ Products not on stock (delivery time on request).

● Available ex stock Germany.

# Shrink fit chuck

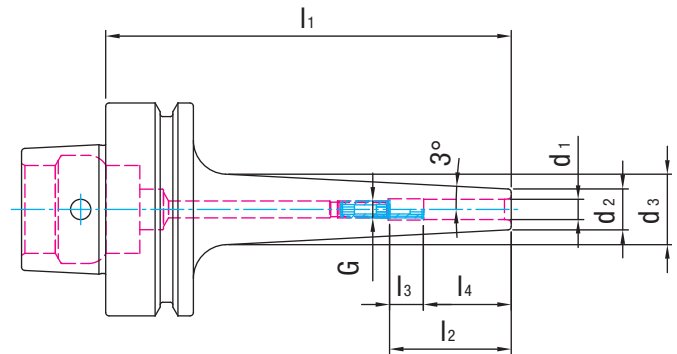
## DIN 69893-F

Long and slim version, 3°



### Quality characteristics:

- High transferable torque
- High accuracy of cyclic running
- 3° program
- Varied outer contour available
- High-strength hot forming tool steel
- Additional cooling ducts possible



Nominal size HSK-F	Dimensions							G	Weight kg	Ref. No.	SAP Ref. No.	On stock
	d <sub>1</sub>	d <sub>2</sub>	d <sub>3</sub>	l <sub>1</sub>	l <sub>2</sub>	l <sub>3</sub>	l <sub>4</sub>					
63	3	9	16	120			12		0,8	17.304.63.03/120	30407251	○
63	3	9	19	160			12		0,9	17.304.63.03/160	30407265	○
63	4	10	17	120			16		0,8	17.304.63.04/120	30407253	○
63	4	10	20	160			16		0,9	17.304.63.04/160	30407268	○
63	5	11	18	120			20		0,8	17.304.63.05/120	30407254	○
63	5	11	21	160			20		0,9	17.304.63.05/160	30407269	○
63	6	12	21	120	36	10	26	M5	0,9	17.304.63.06/120	30407255	○
63	6	12	24	160	36	10	26	M5	1,0	17.304.63.06/160	30407270	○
63	8	14	23	120	36	10	26	M6	0,9	17.304.63.08/120	30407256	○
63	8	14	24	160	36	10	26	M6	1,0	17.304.63.08/160	30407271	○
63	10	16	25	120	41	10	31	M8x1	0,9	17.304.63.10/120	30407257	○
63	10	16	28	160	41	10	31	M8x1	1,0	17.304.63.10/160	30407272	○
63	12	18	27	120	47	10	37	M10x1	1,0	17.304.63.12/120	30407258	○
63	12	18	30	160	47	10	37	M10x1	1,2	17.304.63.12/160	30407273	○
63	14	20	29	120	47	10	37	M10x1	1,0	17.304.63.14/120	30407259	○
63	14	20	32	160	47	10	37	M10x1	1,2	17.304.63.14/160	30407274	○
63	16	22	31	120	50	10	40	M12x1	1,0	17.304.63.16/120	30407260	○
63	16	22	34	160	50	10	40	M12x1	1,3	17.304.63.16/160	30407275	○
63	18	24	33	120	50	10	40	M12x1	1,0	17.304.63.18/120	30407263	○
63	18	24	36	160	50	10	40	M12x1	1,4	17.304.63.18/160	30407276	○
63	20	27	36	120	52	10	42	M16x1	1,0	17.304.63.20/120	30407264	○
63	20	27	38	160	52	10	42	M16x1	1,5	17.304.63.20/160	30407277	○

Dimensions in mm.

Space for data carrier acc. DIN 69873-E10.

Shrink extensions at the end of this chapter.

Spare parts and accessories at the end of this chapter.

Special versions on request.

○ Products not on stock (delivery time on request).

● Available ex stock Germany.

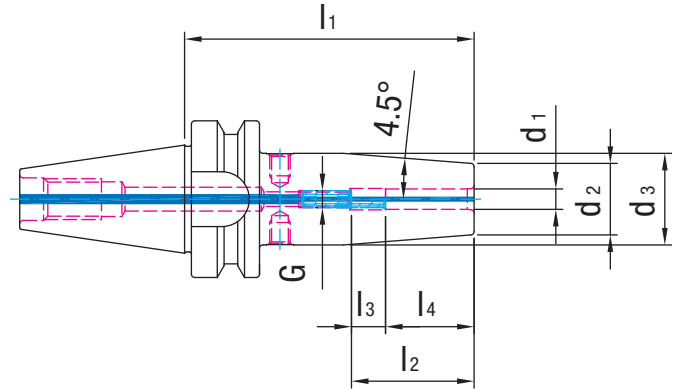
# Shrink fit chuck

## JIS B6339, Form AD



### Quality characteristics:

- High transferable torque
- High accuracy of cyclic running
- 4,5° program
- Varied outer contour available
- High-strength hot forming tool steel
- Additional cooling ducts possible



Nominal size BT	Dimensions							G	Weight kg	Ref. No.	SAP Ref. No.	On stock
	d <sub>1</sub>	d <sub>2</sub>	d <sub>3</sub>	l <sub>1</sub>	l <sub>2</sub>	l <sub>3</sub>	l <sub>4</sub>					
30	3	10	17	85	28	16	12	M6	0,7	22.306.30.03.Z	30337666	●
30	4	15	22	85	28	12	16	M6	0,7	22.306.30.04.Z	30337667	●
30	5	15	22	85	30	10	20	M6	0,7	22.306.30.05.Z	30337668	●
30	6	21	27	85	36	10	26	M5	0,8	22.306.30.06.Z	30337669	●
30	8	21	27	85	36	10	26	M6	0,8	22.306.30.08.Z	30337670	●
30	10	24	32	85	41	10	31	M8x1	0,8	22.306.30.10.Z	30337671	●
30	12	24	32	85	47	10	37	M10x1	0,9	22.306.30.12.Z	30337672	●
30	14	27	34	85	47	10	37	M10x1	0,9	22.306.30.14.Z	30337673	●
30	16	27	34	85	50	10	40	M12x1	0,9	22.306.30.16.Z	30337674	●
30	18	33	42	85	50	10	40	M12x1	1,0	22.306.30.18.Z	30337675	●
30	20	33	42	85	52	10	42	M16x1	1,0	22.306.30.20.Z	30337676	●

Dimensions in mm.

Shrink extensions at the end of this chapter.

Spare parts and accessories at the end of this chapter.

Special versions on request.

○ Products not on stock (delivery time on request).

● Available ex stock Germany.

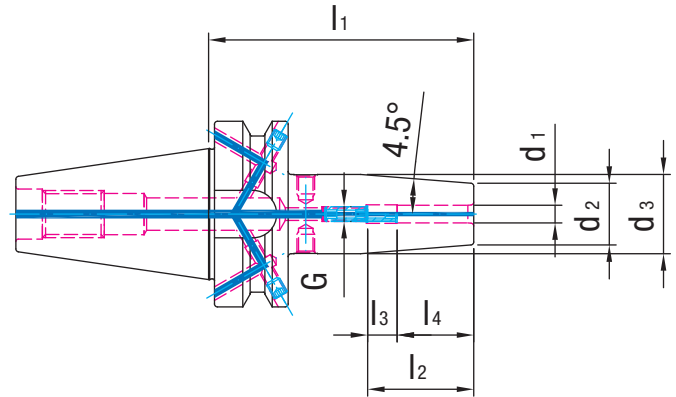
# Shrink fit chuck

## JIS B6339, Form AD/B



### Quality characteristics:

- High transferable torque
- High accuracy of cyclic running
- 4,5° program
- Varied outer contour available
- High-strength hot forming tool steel
- Additional cooling ducts possible



Nominal size BT	Dimensions							G	Weight kg	Ref. No.	SAP Ref. No.	On stock
	d <sub>1</sub>	d <sub>2</sub>	d <sub>3</sub>	l <sub>1</sub>	l <sub>2</sub>	l <sub>3</sub>	l <sub>4</sub>					
40	3	10	20	90	28	16	12	M6	1,0	22.306.40.03.Z	30337677	●
40	4	15	25	90	28	12	16	M6	1,1	22.306.40.04.Z	30337680	●
40	5	15	25	90	30	10	20	M6	1,1	22.306.40.05.Z	30337683	●
40	6	21	27	90	36	10	26	M5	1,1	22.306.40.06.Z	30337686	●
40	7	21	27	90	36	10	26	M5		22.306.40.07.Z	30337689	○
40	8	21	27	90	36	10	26	M6	1,1	22.306.40.08.Z	30337690	●
40	9	21	27	90	36	10	26	M6		22.306.40.09.Z	30337693	○
40	10	24	32	90	41	10	31	M8x1	1,2	22.306.40.10.Z	30337694	●
40	11	24	32	90	41	10	31	M8x1		22.306.40.11.Z	30337698	○
40	12	24	32	90	47	10	37	M10x1	1,2	22.306.40.12.Z	30337699	●
40	13	24	32	90	47	10	37	M10x1		22.306.40.13.Z	30337702	○
40	14	27	34	90	47	10	37	M10x1	1,2	22.306.40.14.Z	30337703	●
40	15	27	34	90	47	10	37	M10x1		22.306.40.15.Z	30337705	○
40	16	27	34	90	50	10	40	M12x1	1,2	22.306.40.16.Z	30337706	●
40	18	33	42	90	50	10	40	M12x1	1,3	22.306.40.18.Z	30337709	●
40	20	33	42	90	52	10	42	M16x1	1,3	22.306.40.20.Z	30337712	●
40	25	44	53	100	58	10	48	M16x1	1,7	22.306.40.25.Z	30337715	●
40	32	44	53	100	62	10	52	M16x1	1,5	22.306.40.32.Z	30337718	●

Dimensions in mm.

Basic form AD. Please indicate form AD or B in your order.

Shrink extensions at the end of this chapter.

Spare parts and accessories at the end of this chapter.

Special versions on request.

○ Products not on stock (delivery time on request).

● Available ex stock Germany.

# Shrink fit chuck

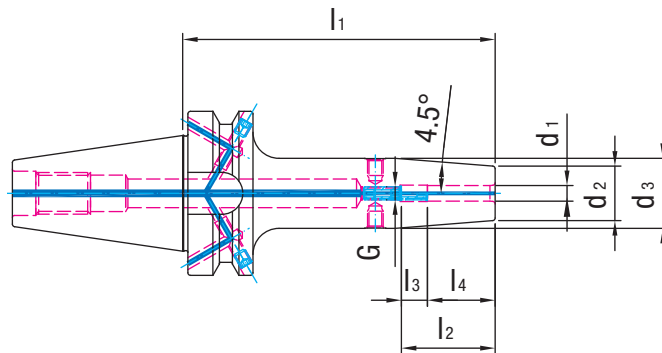
## JIS B6339, Form AD/B

Long version



### Quality characteristics:

- High transferable torque
- High accuracy of cyclic running
- 4,5° program
- Varied outer contour available
- High-strength hot forming tool steel
- Additional cooling ducts possible



Nominal size BT	Dimensions							G	Weight kg	Ref. No.	SAP Ref. No.	On stock
	d <sub>1</sub>	d <sub>2</sub>	d <sub>3</sub>	l <sub>1</sub>	l <sub>2</sub>	l <sub>3</sub>	l <sub>4</sub>					
40	3	10	20	120			12		1,2	22.306.40.03.Z/120	30337678	●
40	3	10	20	160			12		1,4	22.306.40.03.Z/160	30337679	●
40	4	15	22	120			16		1,3	22.306.40.04.Z/120	30337681	●
40	4	15	22	160			16		1,5	22.306.40.04.Z/160	30337682	●
40	5	15	22	120			20		1,3	22.306.40.05.Z/120	30337684	●
40	5	15	22	160			20		1,5	22.306.40.05.Z/160	30337685	●
40	6	21	27	120	36	10	26	M5	1,3	22.306.40.06.Z/120	30337687	●
40	6	21	27	160	36	10	26	M5	1,5	22.306.40.06.Z/160	30337688	●
40	8	21	27	120	36	10	26	M6	1,3	22.306.40.08.Z/120	30337691	●
40	8	21	27	160	36	10	26	M6	1,5	22.306.40.08.Z/160	30337692	●
40	10	24	32	120	41	10	31	M8x1	1,4	22.306.40.10.Z/120	30337695	●
40	10	24	32	160	41	10	31	M8x1	1,6	22.306.40.10.Z/160	30337696	●
40	12	24	32	120	47	10	37	M10x1	1,4	22.306.40.12.Z/120	30337700	●
40	12	24	32	160	47	10	37	M10x1	1,6	22.306.40.12.Z/160	30337701	●
40	14	27	34	120	47	10	37	M10x1	1,4	22.306.40.14.Z/120	30337704	●
40	14	27	34	160	47	10	37	M10x1	1,6	22.306.40.14.Z/160	30342696	●
40	16	27	34	120	50	10	40	M12x1	1,4	22.306.40.16.Z/120	30337707	●
40	16	27	34	160	50	10	40	M12x1	1,6	22.306.40.16.Z/160	30337708	●
40	18	33	42	120	50	10	40	M12x1	1,6	22.306.40.18.Z/120	30337710	●
40	18	33	42	160	50	10	40	M12x1	1,9	22.306.40.18.Z.160	30337711	●
40	20	33	42	120	52	10	42	M16x1	1,6	22.306.40.20.Z/120	30337713	●
40	20	33	42	160	52	10	42	M16x1	1,9	22.306.40.20.Z/160	30337714	●
40	25	44	53	120	58	10	48	M16x1	2,0	22.306.40.25.Z/120	30337716	●
40	25	44	53	160	58	10	48	M16x1	2,3	22.306.40.25.Z/160	30337717	●
40	32	44	53	120	62	10	52	M16x1	1,8	22.306.40.32.Z/120	30337719	●
40	32	44	53	160	62	10	52	M16x1	2,0	22.306.40.32.Z/160	30337720	●

Dimensions in mm.

Basic form AD. Please indicate form AD or B in your order.

Shrink extensions at the end of this chapter.

Spare parts and accessories at the end of this chapter.

Special versions on request.

○ Products not on stock (delivery time on request).

● Available ex stock Germany.

# Shrink fit chuck

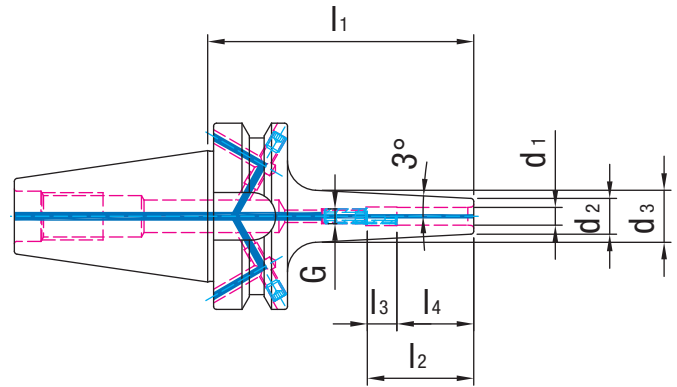
## JIS B6339, Form AD/B

Slim version, 3°



### Quality characteristics:

- High transferable torque
- High accuracy of cyclic running
- 3° program
- Varied outer contour available
- High-strength hot forming tool steel
- Additional cooling ducts possible



Nominal size BT	Dimensions							G	Weight kg	Ref. No.	SAP Ref. No.	On stock
	d <sub>1</sub>	d <sub>2</sub>	d <sub>3</sub>	l <sub>1</sub>	l <sub>2</sub>	l <sub>3</sub>	l <sub>4</sub>					
40	3	9	15	90	28	16	12	M6	1,0	22.304.40.03.Z	30385354	○
40	4	10	16	90	28	12	16	M6	1,0	22.304.40.04.Z	30385357	○
40	5	11	17	90	30	10	20	M6	1,1	22.304.40.05.Z	30385360	○
40	6	12	18	90	36	10	26	M5	1,1	22.304.40.06.Z	30385363	○
40	8	14	20	90	36	10	26	M6	1,1	22.304.40.08.Z	30385366	○
40	10	16	22	90	41	10	31	M8x1	1,1	22.304.40.10.Z	30385369	○
40	12	18	24	90	47	10	37	M10x1	1,1	22.304.40.12.Z	30385372	○
40	14	20	26	90	47	10	37	M10x1	1,1	22.304.40.14.Z	30385375	○
40	16	22	28	90	50	10	40	M12x1	1,2	22.304.40.16.Z	30385378	○
40	18	24	30	90	50	10	40	M12x1	1,2	22.304.40.18.Z	30385381	○
40	20	26	32	90	52	10	42	M16x1	1,2	22.304.40.20.Z	30385384	○

Dimensions in mm.

Basic form AD. Please indicate form AD or B in your order.

Shrink extensions at the end of this chapter.

Spare parts and accessories at the end of this chapter.

Special versions on request.

○ Products not on stock (delivery time on request).

● Available ex stock Germany.

# Shrink fit chuck

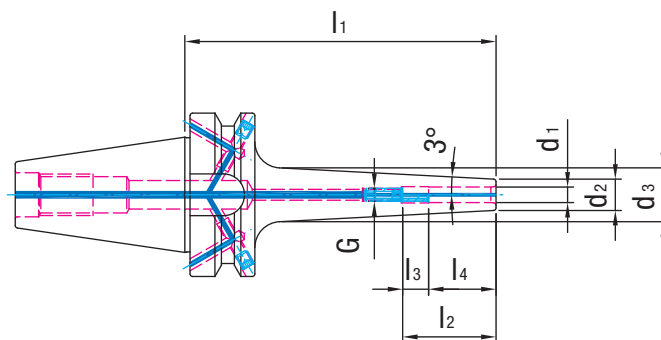
## JIS B6339, Form AD/B

Long and slim version, 3°



### Quality characteristics:

- High transferable torque
- High accuracy of cyclic running
- 3° program
- Varied outer contour available
- High-strength hot forming tool steel
- Additional cooling ducts possible



Nominal size BT	Dimensions							G	Weight kg	Ref. No.	SAP Ref. No.	On stock
	d <sub>1</sub>	d <sub>2</sub>	d <sub>3</sub>	l <sub>1</sub>	l <sub>2</sub>	l <sub>3</sub>	l <sub>4</sub>					
40	3	9	16	120			12		1,1	22.304.40.03.Z/120	30385355	○
40	3	9	19	160			12		1,2	22.304.40.03.Z/160	30385356	○
40	4	10	17	120			16		1,1	22.304.40.04.Z/120	30385358	○
40	4	10	20	160			16		1,2	22.304.40.04.Z/160	30385359	○
40	5	11	18	120			20		1,1	22.304.40.05.Z/120	30385361	○
40	5	11	21	160			20		1,2	22.304.40.05.Z/160	30385362	○
40	6	12	21	120	36	10	26	M5	1,1	22.304.40.06.Z/120	30385364	○
40	6	12	24	160	36	10	26	M5	1,2	22.304.40.06.Z/160	30385365	○
40	8	14	23	120	36	10	26	M6	1,2	22.304.40.08.Z/120	30385367	○
40	8	14	26	160	36	10	26	M6	1,3	22.304.40.08.Z/160	30385368	○
40	10	16	25	120	41	10	31	M8x1	1,2	22.304.40.10.Z/120	30385370	○
40	10	16	28	160	41	10	31	M8x1	1,3	22.304.40.10.Z/160	30385371	○
40	12	18	27	120	47	10	37	M10x1	1,2	22.304.40.12.Z/120	30385373	○
40	12	18	30	160	47	10	37	M10x1	1,4	22.304.40.12.Z/160	30385374	○
40	14	20	29	120	47	10	37	M10x1	1,3	22.304.40.14.Z/120	30385376	○
40	14	20	32	160	47	10	37	M10x1	1,5	22.304.40.14.Z/160	30385377	○
40	16	22	31	120	50	10	40	M12x1	1,3	22.304.40.16.Z/120	30385379	○
40	16	22	34	160	50	10	40	M12x1	1,5	22.304.40.16.Z/160	30385380	○
40	18	24	33	120	50	10	40	M12x1	1,3	22.304.40.18.Z/120	30385382	○
40	18	24	36	160	50	10	40	M12x1	1,6	22.304.40.18.Z.160	30385383	○
40	20	26	35	120	52	10	42	M16x1	1,3	22.304.40.20.Z/120	30385385	○
40	20	26	38	160	52	10	42	M16x1	1,7	22.304.40.20.Z/160	30385386	○

Dimensions in mm.

Basic form AD. Please indicate form AD or B in your order.

Shrink extensions at the end of this chapter.

Spare parts and accessories at the end of this chapter.

Special versions on request.

○ Products not on stock (delivery time on request).

● Available ex stock Germany.



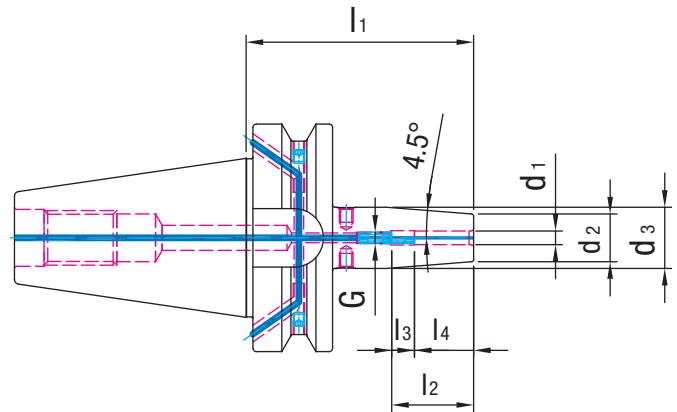
# Shrink fit chuck

## JIS B6339, Form AD/B



### Quality characteristics:

- High transferable torque
- High accuracy of cyclic running
- 4,5° program
- Varied outer contour available
- High-strength hot forming tool steel
- Additional cooling ducts possible



Nominal size BT	Dimensions							G	Weight kg	Ref. No.	SAP Ref. No.	On stock
	d <sub>1</sub>	d <sub>2</sub>	d <sub>3</sub>	l <sub>1</sub>	l <sub>2</sub>	l <sub>3</sub>	l <sub>4</sub>					
50	3	10	17	100			12		3,6	22.306.50.03.Z	30337721	●
50	4	15	22	100			16		3,7	22.306.50.04.Z	30337724	●
50	5	15	22	100			20		3,7	22.306.50.05.Z	30337727	●
50	6	21	27	100	36	10	26	M5	3,7	22.306.50.06.Z	30337730	●
50	8	21	27	100	36	10	26	M6	3,7	22.306.50.08.Z	30337733	●
50	10	24	32	100	41	10	31	M8x1	3,8	22.306.50.10.Z	30337736	●
50	12	24	32	100	47	10	37	M10x1	3,8	22.306.50.12.Z	30337739	●
50	14	27	34	100	47	10	37	M10x1	3,8	22.306.50.14.Z	30337742	●
50	16	27	34	100	50	10	40	M12x1	3,8	22.306.50.16.Z	30337745	●
50	18	33	42	100	50	10	40	M12x1	3,9	22.306.50.18.Z	30337748	●
50	20	33	42	100	52	10	42	M16x1	3,8	22.306.50.20.Z	30337751	●
50	25	44	53	110	58	10	48	M16x1	4,2	22.306.50.25.Z	30337754	●
50	32	44	53	110	62	10	52	M16x1	4,1	22.306.50.32.Z	30337757	●

Dimensions in mm.

Basic form AD. Please indicate form AD or B in your order.

Shrink extensions at the end of this chapter.

Spare parts and accessories at the end of this chapter.

Special versions on request.

○ Products not on stock (delivery time on request).

● Available ex stock Germany.

# Shrink fit chuck

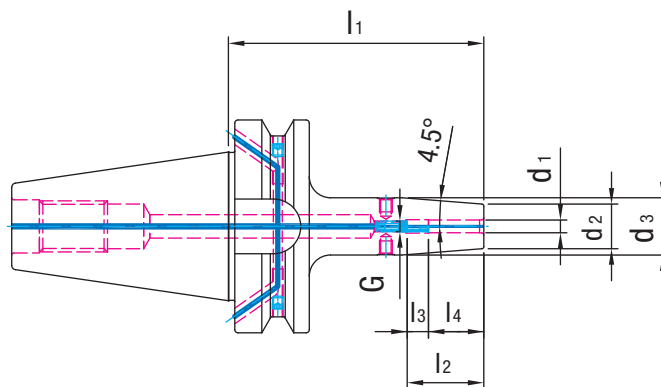
## JIS B6339, Form AD/B

Long version



### Quality characteristics:

- High transferable torque
- High accuracy of cyclic running
- 4,5° program
- Varied outer contour available
- High-strength hot forming tool steel
- Additional cooling ducts possible



Nominal size BT	Dimensions							G	Weight kg	Ref. No.	SAP Ref. No.	On stock
	d <sub>1</sub>	d <sub>2</sub>	d <sub>3</sub>	l <sub>1</sub>	l <sub>2</sub>	l <sub>3</sub>	l <sub>4</sub>					
50	3	10	20	120			12		3,7	22.306.50.03.Z/120	30337722	○
50	3	10	20	160			12		3,9	22.306.50.03.Z/160	30337723	○
50	4	15	22	120			16		3,8	22.306.50.04.Z/120	30337725	○
50	4	15	22	160			16		4,0	22.306.50.04.Z/160	30337726	○
50	5	15	22	120			20		3,8	22.306.50.05.Z/120	30337728	○
50	5	15	22	160			20		4,0	22.306.50.05.Z/160	30337729	○
50	6	21	27	120	36	10	26	M5	3,8	22.306.50.06.Z/120	30337731	○
50	6	21	27	160	36	10	26	M5	4,0	22.306.50.06.Z/160	30337732	○
50	8	21	27	120	36	10	26	M6	3,8	22.306.50.08.Z/120	30337734	○
50	8	21	27	160	36	10	26	M6	4,0	22.306.50.08.Z/160	30337735	○
50	10	24	32	120	41	10	31	M8x1	4,0	22.306.50.10.Z/120	30337737	○
50	10	24	32	160	41	10	31	M8x1	4,2	22.306.50.10.Z/160	30337738	○
50	12	24	32	120	47	10	37	M10x1	4,0	22.306.50.12.Z/120	30337740	○
50	12	24	32	160	47	10	37	M10x1	4,2	22.306.50.12.Z/160	30337741	○
50	14	27	34	120	47	10	37	M10x1	4,0	22.306.50.14.Z/120	30337743	○
50	14	27	34	160	47	10	37	M10x1	4,2	22.306.50.14.Z/160	30337744	○
50	16	27	34	120	50	10	40	M12x1	4,0	22.306.50.16.Z/120	30337746	○
50	16	27	34	160	50	10	40	M12x1	4,2	22.306.50.16.Z/160	30337747	○
50	18	33	42	120	50	10	40	M12x1	4,2	22.306.50.18.Z/120	30337749	○
50	18	33	42	160	50	10	40	M12x1	4,6	22.306.50.18.Z/160	30337750	○
50	20	33	42	120	52	10	42	M16x1	4,2	22.306.50.20.Z/120	30337752	○
50	20	33	42	160	52	10	42	M16x1	4,6	22.306.50.20.Z/160	30337753	○
50	25	44	53	120	58	10	48	M16x1	4,5	22.306.50.25.Z/120	30337755	○
50	25	44	53	160	58	10	48	M16x1	4,8	22.306.50.25.Z/160	30337756	○
50	32	44	53	120	62	10	52	M16x1	4,4	22.306.50.32.Z/120	30337758	○
50	32	44	53	160	62	10	52	M16x1	4,6	22.306.50.32.Z/160	30337759	○

Dimensions in mm.

Basic form AD. Please indicate form AD or B in your order.

Shrink extensions at the end of this chapter.

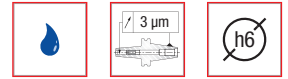
Spare parts and accessories at the end of this chapter.

Special versions on request.

○ Products not on stock (delivery time on request).

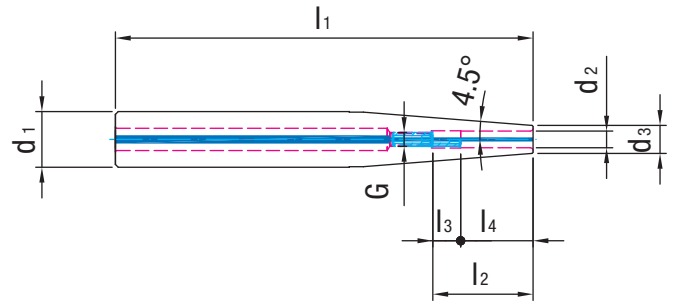
● Available ex stock Germany.

# Shrink extension



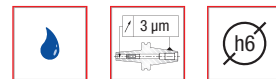
## Quality characteristics:

- Increases the transferable torque
- Especially for WTE shrink fit chucks
- Suitable for all WTE HPH chucks and WTE hydraulic chucks



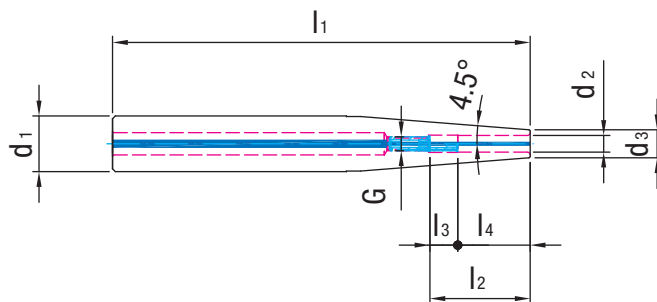
Dimensions							G	Weight kg	Ref. No.	SAP Ref. No.	On stock
d <sub>1</sub>	d <sub>2</sub>	d <sub>3</sub>	l <sub>1</sub>	l <sub>2</sub>	l <sub>3</sub>	l <sub>4</sub>					
12	3	8	150			12		0,1	40.357.12.03.Z	30344729	●
12	4	8	150			16		0,1	40.357.12.04.Z	30344730	●
12	5	10	150			20		0,1	40.357.12.05.Z	30344731	●
12	6	10	150	36	10	26	M5	0,1	40.357.12.06.Z	30344732	●
16	3	10	150			12		0,2	40.357.16.03.Z	30344733	●
16	4	10	150			16		0,2	40.357.16.04.Z	30344734	●
16	5	10	150			20		0,2	40.357.16.05.Z	30344735	●
16	6	10	150	36	10	26	M5	0,2	40.357.16.06.Z	30344736	●
16	8	12	150	36	10	26	M6	0,2	40.357.16.08.Z	30344737	●
20	3	10	150			12		0,3	40.357.20.03.Z	30344738	●
20	4	10	150			16		0,3	40.357.20.04.Z	30344739	●
20	5	10	150			20		0,3	40.357.20.05.Z	30344740	●
20	6	10	150	36	10	26	M5	0,3	40.357.20.06.Z	30344741	●
20	8	12	150	36	10	26	M6	0,3	40.357.20.08.Z	30344742	●
20	10	14	150	42	10	32	M6	0,3	40.357.20.10.Z	30344743	●
20	12	16	150	47	10	37	M10x1	0,3	40.357.20.12.Z	30344744	●

# Shrink extension



## Quality characteristics:

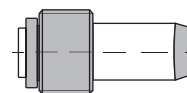
- Increases the transferable torque
- Especially for WTE shrink fit chucks
- Suitable for all WTE HPH chucks and WTE hydraulic chucks



Dimensions							G	Weight kg	Ref. No.	SAP Ref. No.	On stock
d <sub>1</sub>	d <sub>2</sub>	d <sub>3</sub>	l <sub>1</sub>	l <sub>2</sub>	l <sub>3</sub>	l <sub>4</sub>					
25	3	10	150			12		0,5	40.357.25.03.Z	30344745	●
25	4	10	150			16		0,5	40.357.25.04.Z	30344746	●
25	5	15	150			20		0,5	40.357.25.05.Z	30344747	●
25	6	20	150	36	10	26	M5	0,5	40.357.25.06.Z	30344748	●
25	8	20	150	36	10	26	M6	0,5	40.357.25.08.Z	30344749	●
25	10	20	150	42	10	32	M6	0,5	40.357.25.10.Z	30344750	●
25	12	20	150	47	10	37	M10x1	0,5	40.357.25.12.Z	30344751	●
25	14	20	150	47	10	37	M10x1	0,4	40.357.25.14.Z	30344752	●
25	16	22	150	50	10	40	M10x1	0,4	40.357.25.16.Z	30344753	●
32	6	20	150	36	10	26	M5	0,8	40.357.32.06.Z	30344754	●
32	8	20	150	36	10	26	M6	0,8	40.357.32.08.Z	30344755	●
32	10	24	150	42	10	32	M6	0,8	40.357.32.10.Z	30344756	●
32	12	24	150	47	10	37	M10x1	0,8	40.357.32.12.Z	30344757	●
32	14	27	150	47	10	37	M10x1	0,8	40.357.32.14.Z	30344758	●
32	16	27	150	50	10	40	M10x1	0,8	40.357.32.16.Z	30344759	●
32	18	27	150	50	10	40	M10x1	0,7	40.357.32.18.Z	30337832	●
32	20	27	150	52	10	42	M10x1	0,7	40.357.32.20.Z	30337833	●

## Coolant tube

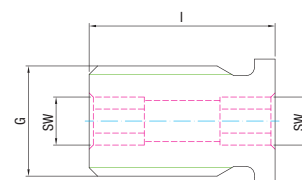
For DIN 69893-A/E



HSK	Weight kg	Ref. No.	SAP Ref. No.	On stock
32	0,01	89.220.72	30326003	○
40	0,01	89.220.73	30326004	○
50	0,02	89.220.74	30326005	●
63	0,02	89.220.75	30326006	●
80	0,02	89.220.76	30326007	○
100	0,03	89.220.77	30326008	○

## Set screw for direct clamping

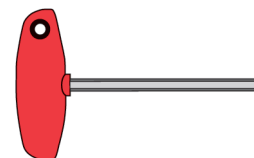
For axial length adjustment



G	SW	I	Weight kg	Ref. No.	SAP Ref. No.	On stock
M6	SW2	14	0,002	89.122.98	30252537	●
M5	SW2,5	12,5	0,001	89.122.88	30252539	●
M6	SW3	12,5	0,002	89.122.89	30252540	●
M8x1	SW3	13,5	0,004	89.122.23	30252541	●
M10x1	SW5	13,5	0,006	89.122.90	30252542	●
M12x1	SW5	13,5	0,011	89.122.24	30252543	●
M16x1	SW5	13,5	0,017	89.122.19	30252544	●
M16x1	SW8	13,5	0,021	89.122.91	30252547	●

## Allen-“T“-Wrench

For axial length adjustment



SW	I	Weight kg	Ref. No.	SAP Ref. No.	On stock
2,5	150	0,02	89.206.01	10034540	●
3	150	0,02	89.206.02	10013347	●
5	150	0,06	89.206.03	10041807	●
8	150	0,1	89.206.04	10041808	●

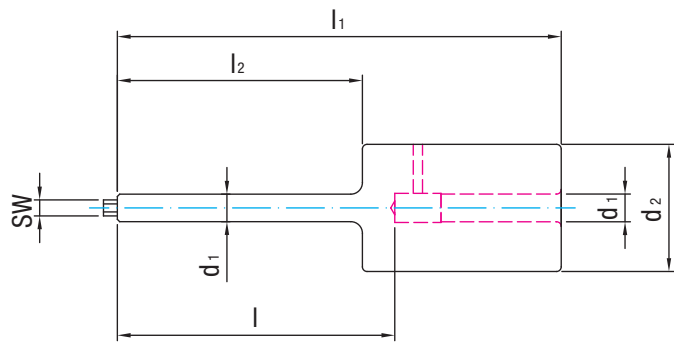
○ Products not on stock (delivery time on request).

● Available ex stock Germany.

Dimensions in mm.

## Presetting adapter for WTE shrink fit chucks

With the WTE presetting adapter you can easily preset the tool length before starting the shrinking process. They are suitable for all shrink fit chucks equipped with an adjustment screw with a hexagon socket on the side where the tool is inserted. Working carefully you will achieve a precision of  $\pm 0,03$  mm after the shrinking process.



Dimensions					SW	For	Weight kg	Ref. No.	SAP Ref. No.	On stock
d <sub>1</sub>	d <sub>2</sub>	l	l <sub>1</sub>	l <sub>2</sub>						
3	15	40	65	30	SW 2	WTE Shrink fit chucks		98.602.017	30345078	●
4	15	40	65	30	SW 2	WTE Shrink fit chucks		98.602.018	30387351	●
5	15	40	65	30	SW 2	WTE Shrink fit chucks		98.602.019	30387352	●
6	25	60	96	53	SW 2,5	WTE Shrink fit chucks	0,2	98.602.001	30345062	●
8	25	60	96	53	SW 3	WTE Shrink fit chucks	0,2	98.602.002	30345063	●
10	25	60	101	53	SW 3	WTE Shrink fit chucks	0,2	98.602.003	30345064	●
12	25	60	107	53	SW 5	WTE Shrink fit chucks	0,2	98.602.007	30345068	●
14	25	60	107	53	SW 5	WTE Shrink fit chucks	0,2	98.602.008	30345069	●
16	25	60	110	53	SW 5	WTE Shrink fit chucks	0,3	98.602.009	30345070	●
18	25	60	110	53	SW 5	HISO 50;63/SK30/BT30	0,3	98.602.010	30345071	●
18	25	60	110	53	SW 8	HSK 80;100/SK/BT	0,3	98.602.012	30345073	●
20	28	60	112	53	SW 5	HISO 50;63	0,3	98.602.011	30345072	●
20	28	60	112	53	SW 8	HSK 80;100/SK/BT	0,3	98.602.013	30345074	●
25	32	70	128	63	SW 5	WTE Shrink fit chucks HSK 63		98.602.020	30393208	●
25	32	70	128	63	SW 8	HSK 80;100/SK/BT		98.602.021	30393210	●
32	40	70	132	63	SW 5	HSK 63		98.602.022	30411108	●
32	40	70	132	63	SW 8	HSK 80;100/SK/BT		98.602.023	30411109	●

**Notes:**







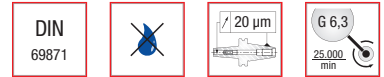
## CNC universal drill chuck

Shank type ISO 30/40	Page	148
Shank type ISO 30/40/50	Page	149
Shank type ISO 30/40/45/50	Page	150
Shank type ISO 40/50	Page	151-152
Shank type ISO 40/45/50	Page	153-154
Shank type HSK-A 32/40/50/63/80/100	Page	155-157
Shank type HSK-E 40/50/63	Page	158-160
Shank type B 12/16/18	Page	161
Shank type BT 30/35/40/50	Page	162
BT 40/50	Page	163-164
Wohlhaupter	Page	165-166
1835 B	Page	167-168
VDI	Page	169-171
MORI-SEIKI	Page	172
ABS Komet	Page	173
MK	Page	174-175
MAZAK	Page	176
UTS Widia	Page	177-178
PSC	Page	179-180
Lid	Page	181
Chiron	Page	182-184
Spare parts and accessories	Page	185-199

# CNC universal drill chuck

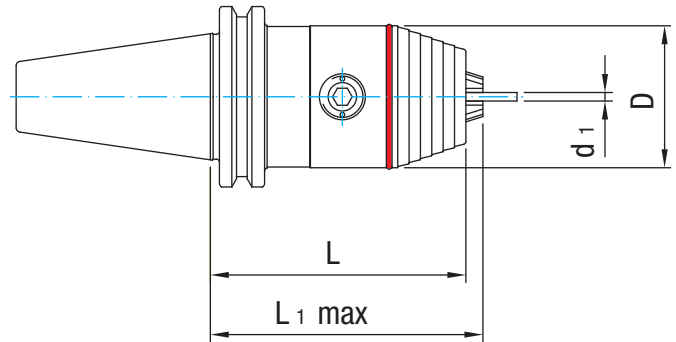
## DIN 69871

For wood working



### Quality characteristics:

- rpm range up to 35.000 min<sup>-1</sup>
- Variable clamping range
- Dependable bevel gear
- Clockwise and counterclockwise rotation
- Slim design



Nominal size ISO	WTE Design	Clamping range d <sub>1</sub>	Dimensions			Weight kg	Ref. No.	SAP Ref. No.	On stock
			D	L	L <sub>1</sub> max				
30	WTE 13	0,5 - 13	50	90	96	1,2	14.296.30.13/90	30335966	●
30	WTE 13	0,5 - 13	50	111	117	1,5	14.296.30.13	30335965	●
30	WTE 16	2,5 - 16	57	95	101	1,4	14.296.30.16/90	30335968	●
30	WTE 16	2,5 - 16	57	116	122	1,4	14.296.30.16	30335967	●
40	WTE 13	0,5 - 13	50	90	96	1,6	14.296.40.13	30335969	●
40	WTE 16	2,5 - 16	57	95	101	1,8	14.296.40.16	30335970	●

Dimensions in mm.

CNC universal drill chucks without groove (for drilling and milling in the wood working industry).

Spare parts and accessories at the end of this chapter.  
Special versions on request.

○ Products not on stock (delivery time on request).

● Available ex stock Germany.

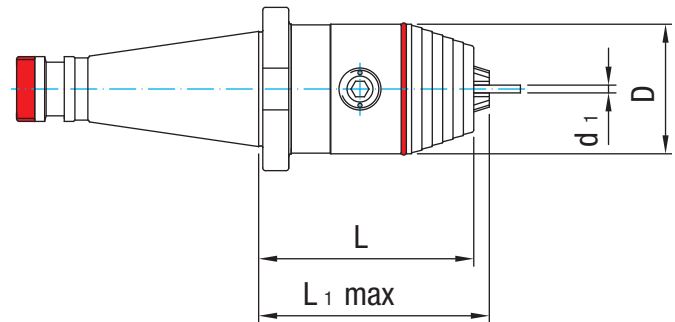
# CNC universal drill chuck

## DIN 2080, Form A



### Quality characteristics:

- rpm range up to 35.000 min<sup>-1</sup>
- Variable clamping range
- Dependable bevel gear
- Clockwise and counterclockwise rotation
- Slim design



Nominal size ISO	WTE Design	Clamping range d <sub>1</sub>	Dimensions			Weight kg	Ref. No.	SAP Ref. No.	On stock
			D	L	L <sub>1 max</sub>				
30	WTE 08	0,3 - 8	36	60	63	0,6	10.296.30.08	30335939	●
40	WTE 08	0,3 - 8	36	62	65	1,3	10.296.40.08	30335942	●
30	WTE 13	0,5 - 13	50	98	104	1,3	10.296.30.13	30335940	●
40	WTE 13	0,5 - 13	50	83	89	1,6	10.296.40.13	30335944	●
50	WTE 13	0,5 - 13	50	100	106	3,9	10.296.50.13	30335947	●
40	WTE 16	2,5 - 16	57	88	94	1,8	10.296.40.16	30335945	●
50	WTE 16	2,5 - 16	57	105	111	4,1	10.296.50.16	30335948	●

Dimensions in mm.

ISO 30 acc. DIN 2080, form A.

ISO 40 and ISO 50 sim. DIN 2080 with radial groove.

Spare parts and accessories at the end of this chapter.

Special versions on request.

○ Products not on stock (delivery time on request).

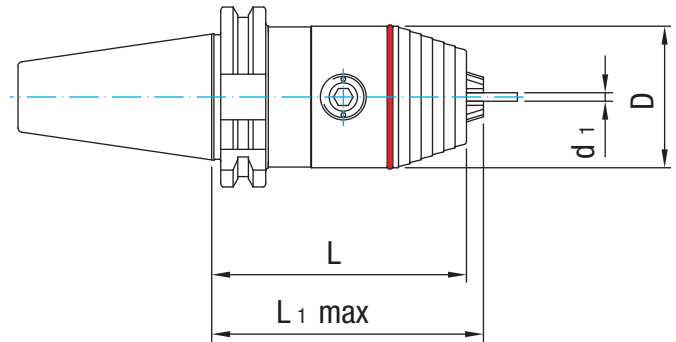
● Available ex stock Germany.

# CNC universal drill chuck DIN 69871-A



## Quality characteristics:

- rpm range up to 35.000 min<sup>-1</sup>
- Variable clamping range
- Dependable bevel gear
- Clockwise and counterclockwise rotation
- Slim design



Nominal size ISO	WTE Design	Clamping range d <sub>1</sub>	Dimensions			Weight kg	Ref. No.	SAP Ref. No.	On stock
			D	L	L <sub>1</sub> max				
30	WTE 08	0,3 - 8	36	70	73	0,7	11.296.30.08	30335949	●
40	WTE 08	0,3 - 8	36	70	73	1,3	11.296.40.08	30335952	●
30	WTE 13	0,5 - 13	50	111	117	1,5	11.296.30.13	30335951	●
40	WTE 13	0,5 - 13	50	90	96	1,6	11.296.40.13	30335953	●
45	WTE 13	0,5 - 13	50	90	96	2,4	11.296.45.13	30335955	●
50	WTE 13	0,5 - 13	50	106	112	4,1	11.296.50.13	30335959	●
40	WTE 16	2,5 - 16	57	95	101	1,8	11.296.40.16	30335954	●
45	WTE 16	2,5 - 16	57	95	101	2,6	11.296.45.16	30335957	●
50	WTE 16	2,5 - 16	57	111	117	4,3	11.296.50.16	30335962	●

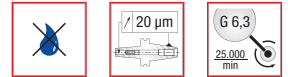
Dimensions in mm.

Spare parts and accessories at the end of this chapter. Special versions on request.

○ Products not on stock (delivery time on request).

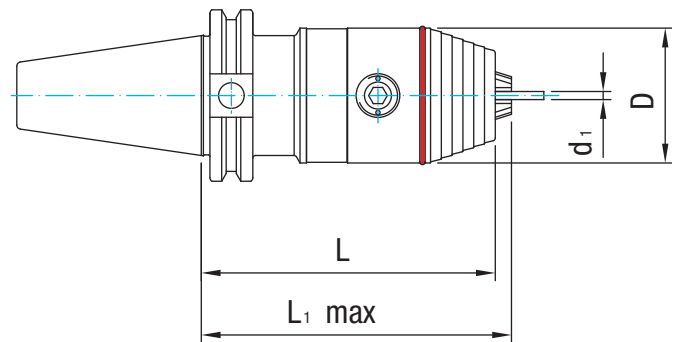
● Available ex stock Germany.

# CNC universal drill chuck ANSI-CAT



## Quality characteristics:

- rpm range up to 35.000 min<sup>-1</sup>
- Variable clamping range
- Dependable bevel gear
- Clockwise and counterclockwise rotation
- Slim design



Nominal size ISO	WTE Design	Clamping range d <sub>1</sub>	Dimensions			Weight kg	Ref. No.	SAP Ref. No.	On stock
			D	L	L <sub>1</sub> max				
40	WTE 13	0,5 - 13	50	109	115	1,8	30.296.40.13	30336091	●
50	WTE 13	0,5 - 13	50	106	112	4,1	30.296.50.13	30336093	●
40	WTE 16	2,5 - 16	57	114	120	2,0	30.296.40.16	30336092	●
50	WTE 16	2,5 - 16	57	111	117	4,3	30.296.50.16	30336094	●

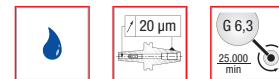
Dimensions in mm.

Spare parts and accessories at the end of this chapter. Special versions on request.

○ Products not on stock (delivery time on request).

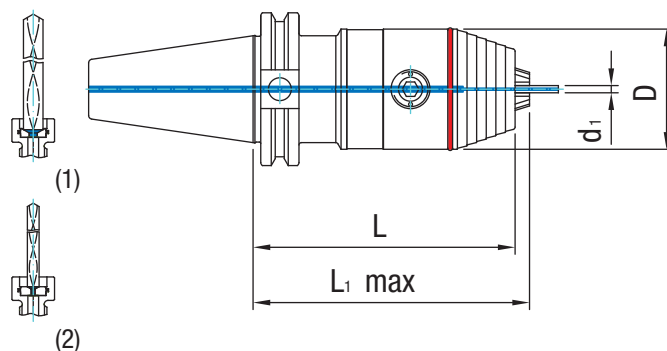
● Available ex stock Germany.

# CNC universal drill chuck ANSI-CAT



## Quality characteristics:

- rpm range up to 35.000 min<sup>-1</sup>
- Variable clamping range
- Dependable bevel gear
- Clockwise and counterclockwise rotation
- Slim design



Nominal size ISO	WTE Design	Clamping range d <sub>1</sub>	Dimensions			Weight kg	Ref. No.	SAP Ref. No.	On stock
			D	L	L <sub>1</sub> max				
40	WTE 13 IK	0,5 - 13	50	109	115	2,0	31.296.40.13.Z	30336097	●
50	WTE 13 IK	0,5 - 13	50	106	112	3,9	31.296.50.13.Z	30336099	●
40	WTE 16 IK	2,5 - 16	57	114	120	2,2	31.296.40.16.Z	30336098	●
50	WTE 16 IK	2,5 - 16	57	111	117	4,1	31.296.50.16.Z	30336100	●

(1) Gasket WTE 13 dia. 4.2 mm installed in drill chuck head, for drills with coolant supply dia. 6 - 13 mm with plain shank to DIN 6535 Form HA.

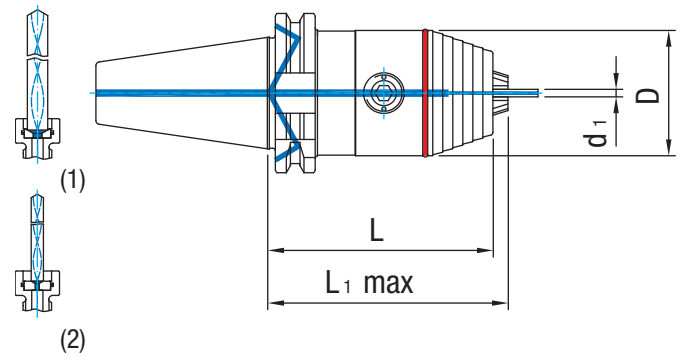
(2) Gasket WTE 13 dia. 2.05 mm included in scope of supply, for drills with coolant supply dia. 3 - 6 mm with plain shank to DIN 6535 Form HA.

# CNC universal drill chuck DIN 69871-AD/B



## Quality characteristics:

- rpm range up to 35.000 min<sup>-1</sup>
- Variable clamping range
- Dependable bevel gear
- Clockwise and counterclockwise rotation
- Slim design



Nominal size ISO	WTE Design	Clamping range d <sub>1</sub>	Dimensions			Weight kg	Ref. No.	SAP Ref. No.	On stock
			D	L	L <sub>1</sub> max				
40	WTE 08 IK	0,3 - 8	36	73	76	1,3	15.296.40.08	30335971	●
40	WTE 13 IK	0,5 - 13	50	90	96	1,7	15.296.40.13	30335973	●
45	WTE 13 IK	0,5 - 13	50	96	102	2,5	15.296.45.13	30335979	●
50	WTE 13 IK	0,5 - 13	50	106	112	3,9	15.296.50.13	30335984	●
40	WTE 16 IK	2,5 - 16	57	95	101	1,9	15.296.40.16	30335976	●
45	WTE 16 IK	2,5 - 16	57	101	107	2,7	15.296.45.16	30335981	●
50	WTE 16 IK	2,5 - 16	57	111	117	4,1	15.296.50.16	30335986	●

(1) Gasket WTE 13 dia. 4.2 mm installed in drill chuck head, for drills with coolant supply dia. 6 - 13 mm with plain shank to DIN 6535 Form HA.

(2) Gasket WTE 13 dia. 2.05 mm included in scope of supply, for drills with coolant supply dia. 3 - 6 mm with plain shank to DIN 6535 Form HA.

Dimensions in mm.

Basic form AD. Please indicate form AD or B in your order.

Assembly tool for gasket at the end of this chapter.

Spare parts and accessories at the end of this chapter.

Special versions on request.

○ Products not on stock (delivery time on request).

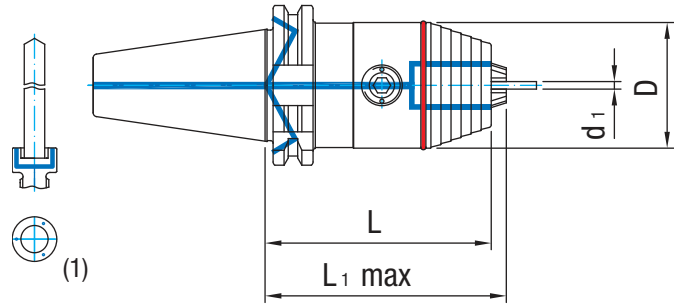
● Available ex stock Germany.

# CNC universal drill chuck DIN 69871-AD/B



## Quality characteristics:

- rpm range up to 35.000 min<sup>-1</sup>
- Variable clamping range
- Dependable bevel gear
- Clockwise and counterclockwise rotation
- Slim design



Nominal size ISO	WTE Design	Clamping range d <sub>1</sub>	Dimensions			Weight kg	Ref. No.	SAP Ref. No.	On stock
			D	L	L <sub>1</sub> max				
40	WTE 08 IK	0,3 - 8	36	73	76	1,3	15.296.40.08.ZBA	30335972	●
40	WTE 13 IK	0,5 - 13	50	90	96	1,7	15.296.40.13.ZBA	30335974	●
45	WTE 13 IK	0,5 - 13	50	96	102	2,5	15.296.45.13.ZBA	30335980	●
50	WTE 13 IK	0,5 - 13	50	106	112	3,9	15.296.50.13.ZBA	30335985	●
40	WTE 16 IK	2,5 - 16	57	95	101	1,9	15.296.40.16.ZBA	30335977	●
45	WTE 16 IK	2,5 - 16	57	101	107	2,7	15.296.45.16.ZBA	30335982	●
50	WTE 16 IK	2,5 - 16	57	111	117	4,1	15.296.50.16.ZBA	30335987	●

(1) Coolant supply for tools without cooling duct.

Dimensions in mm.

Basic form AD. Please indicate form AD or B in your order.

Spare parts and accessories at the end of this chapter.  
Special versions on request.

○ Products not on stock (delivery time on request).  
● Available ex stock Germany.



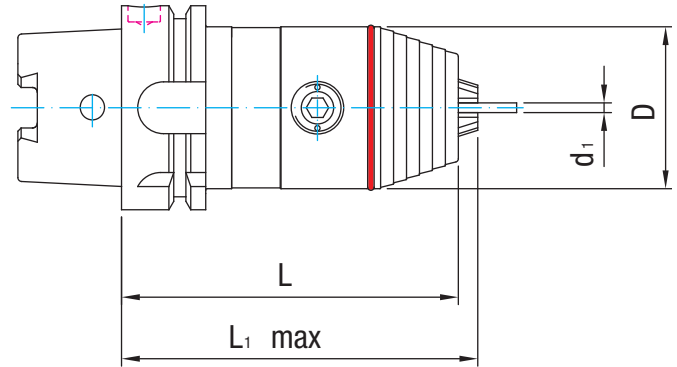
# CNC universal drill chuck

## DIN 69893-A



### Quality characteristics:

- rpm range up to 35.000 min<sup>-1</sup>
- Variable clamping range
- Dependable bevel gear
- Clockwise and counterclockwise rotation
- Slim design



Nominal size HSK-A	WTE Design	Clamping range d <sub>1</sub>	Dimensions			Weight kg	Ref. No.	SAP Ref. No.	On stock
			D	L	L <sub>1</sub> max				
32	WTE 08	0,3 - 8	36	90	93	0,5	16.296.32.08	30335995	●
40	WTE 08	0,3 - 8	36	91	94	0,5	16.296.40.08	30335998	●
50	WTE 08	0,3 - 8	36	95	98	0,7	16.296.50.08	30336001	●
63	WTE 08	0,3 - 8	36	96	99	1,1	16.296.63.08	30336010	●
50	WTE 13	0,5 - 13	50	116	122	1,4	16.296.50.13	30336004	●
63	WTE 13	0,5 - 13	50	104	110	1,7	16.296.63.13	30336013	●
80	WTE 13	0,5 - 13	50	109	115	2,1	16.296.80.13	30336021	●
100	WTE 13	0,5 - 13	50	111	117	3,1	16.296.100.13	30335988	●
50	WTE 16	2,5 - 16	57	121	127	1,7	16.296.50.16	30336007	●
63	WTE 16	2,5 - 16	57	109	115	1,9	16.296.63.16	30336017	●
80	WTE 16	2,5 - 16	57	114	120	2,3	16.296.80.16	30336024	●
100	WTE 16	2,5 - 16	57	116	122	3,3	16.296.100.16	30335992	●

Dimensions in mm.

Spare parts and accessories at the end of this chapter. Special versions on request.

○ Products not on stock (delivery time on request).

● Available ex stock Germany.

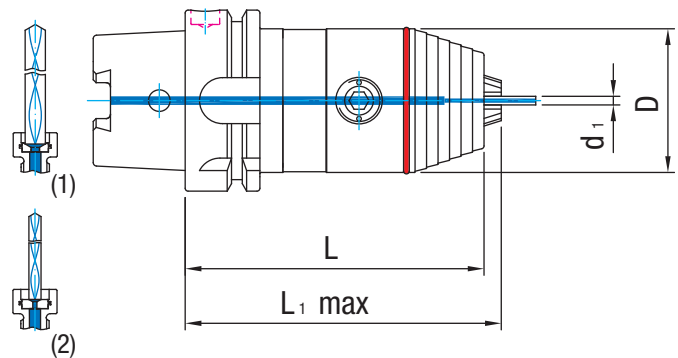
# CNC universal drill chuck

## DIN 69893-A



### Quality characteristics:

- rpm range up to 35.000 min<sup>-1</sup>
- Variable clamping range
- Dependable bevel gear
- Clockwise and counterclockwise rotation
- Slim design



Nominal size HSK-A	WTE Design	Clamping range d <sub>1</sub>	Dimensions			Weight kg	Ref. No.	SAP Ref. No.	On stock
			D	L	L <sub>1 max</sub>				
32	WTE 08 IK	0,3 - 8	36	90	93	0,5	16.296.32.08.Z	30335996	●
40	WTE 08 IK	0,3 - 8	36	91	94	0,5	16.296.40.08.Z	30335999	●
50	WTE 08 IK	0,3 - 8	36	95	98	0,7	16.296.50.08.Z	30336002	●
63	WTE 08 IK	0,3 - 8	36	96	99	1,1	16.296.63.08.Z	30336011	●
50	WTE 13 IKT	0,5 - 13	50	116	122	1,4	16.296.50.13.Z	30336005	●
63	WTE 13 IKT	0,5 - 13	50	104	110	1,7	16.296.63.13.Z	30336014	●
80	WTE 13 IK	0,5 - 13	50	109	115	2,1	16.296.80.13.Z	30336022	●
100	WTE 13 IK	0,5 - 13	50	111	117	3,1	16.296.100.13.Z	30335989	●
50	WTE 16 IKT	2,5 - 16	57	121	127	1,7	16.296.50.16.Z	30336008	●
63	WTE 16 IKT	2,5 - 16	57	109	115	1,9	16.296.63.16.Z	30336018	●
80	WTE 16 IK	2,5 - 16	57	114	120	2,3	16.296.80.16.Z	30336025	●
100	WTE 16 IK	2,5 - 16	57	116	122	3,3	16.296.100.16.Z	30335993	●

(1) Gasket WTE 13 dia. 4.2 mm installed in drill chuck head, for drills with coolant supply dia. 6 - 13 mm with plain shank to DIN 6535 Form HA.

(2) Gasket WTE 13 dia. 2.05 mm included in scope of supply, for drills with coolant supply dia. 3 - 6 mm with plain shank to DIN 6535 Form HA.

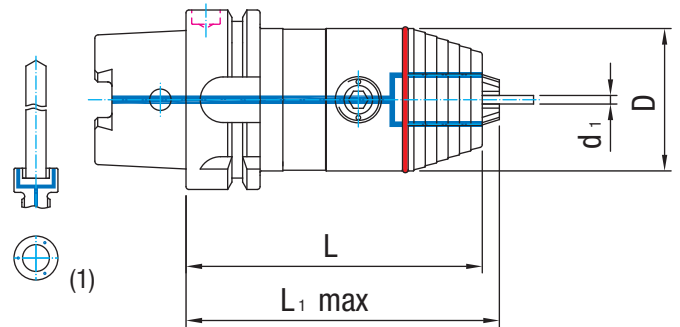
# CNC universal drill chuck

## DIN 69893-A



### Quality characteristics:

- rpm range up to 35.000 min<sup>-1</sup>
- Variable clamping range
- Dependable bevel gear
- Clockwise and counterclockwise rotation
- Slim design



Nominal size HSK-A	WTE Design	Clamping range d <sub>1</sub>	Dimensions			Weight kg	Ref. No.	SAP Ref. No.	On stock
			D	L	L <sub>1</sub> max				
32	WTE 08	0,3 - 8	36	90	93	0,5	16.296.32.08.ZBA	30335997	●
40	WTE 08	0,3 - 8	36	91	94	0,5	16.296.40.08.ZBA	30336000	●
50	WTE 08	0,3 - 8	36	95	98	0,7	16.296.50.08.ZBA	30336003	●
63	WTE 08	0,3 - 8	36	96	99	1,1	16.296.63.08.ZBA	30336012	●
50	WTE 13	0,5 - 13	50	116	122	1,4	16.296.50.13.ZBA	30336006	●
63	WTE 13	0,5 - 13	50	104	110	1,7	16.296.63.13.ZBA	30336016	●
80	WTE 13	0,5 - 13	50	109	115	2,1	16.296.80.13.ZBA	30336023	●
100	WTE 13	0,5 - 13	50	111	117	3,1	16.296.100.13.ZBA	30335990	●
50	WTE 16	2,5 - 16	57	121	127	1,7	16.296.50.16.ZBA	30336009	●
63	WTE 16	2,5 - 16	57	109	115	1,9	16.296.63.16.ZBA	30336020	●
80	WTE 16	2,5 - 16	57	114	120	2,3	16.296.80.16.ZBA	30336026	●
100	WTE 16	2,5 - 16	57	116	122	3,3	16.296.100.16.ZBA	30335994	●

(1) Coolant supply for tools without cooling duct.

Dimensions in mm.

Basic form AD. Please indicate form AD or B in your order.

Coolant tube not included.

Spare parts and accessories at the end of this chapter.  
Special versions on request.

○ Products not on stock (delivery time on request).  
● Available ex stock Germany.

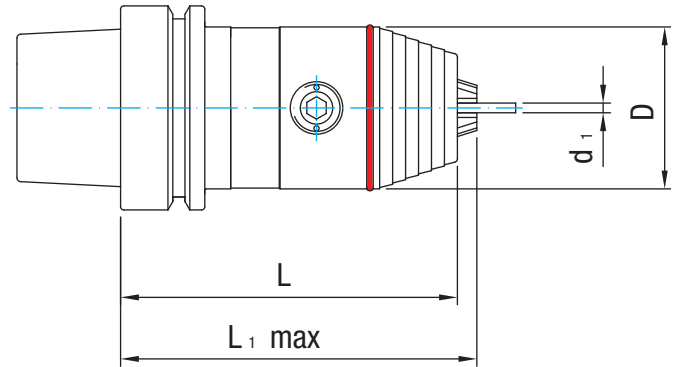
# CNC universal drill chuck

## DIN 69893-E



### Quality characteristics:

- rpm range up to 35.000 min<sup>-1</sup>
- Variable clamping range
- Dependable bevel gear
- Clockwise and counterclockwise rotation
- Slim design



Nominal size HSK-E	WTE Design	Clamping range d <sub>1</sub>	Dimensions			Weight kg	Ref. No.	SAP Ref. No.	On stock
			D	L	L <sub>1</sub> max				
40	WTE 08	0,3 - 8	36	91	94	0,7	18.296.40.08	30336033	●
50	WTE 08	0,3 - 8	36	95	98	1,0	18.296.50.08	30336035	●
63	WTE 08	0,3 - 8	36	96	99	1,2	18.296.63.08	30336043	●
50	WTE 13	0,5 - 13	50	116	122	1,5	18.296.50.13	30336038	●
63	WTE 13	0,5 - 13	50	104	110	1,7	18.296.63.13	30336045	●
50	WTE 16	2,5 - 16	57	121	127	1,6	18.296.50.16	30336041	●
63	WTE 16	2,5 - 16	57	109	115	1,8	18.296.63.16	30336047	●

Dimensions in mm.

Spare parts and accessories at the end of this chapter. Special versions on request.

○ Products not on stock (delivery time on request).

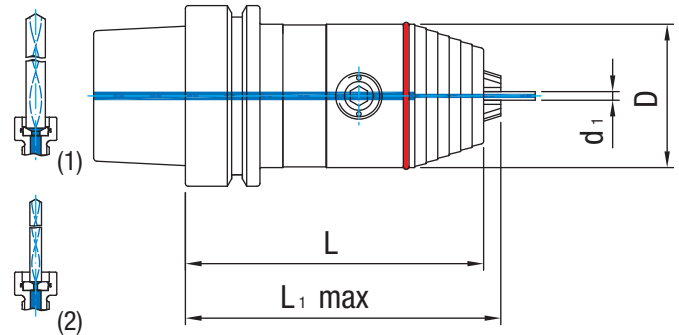
● Available ex stock Germany.

# CNC universal drill chuck DIN 69893-E



## Quality characteristics:

- rpm range up to 35.000 min<sup>-1</sup>
- Variable clamping range
- Dependable bevel gear
- Clockwise and counterclockwise rotation
- Slim design



Nominal size HSK-E	WTE Design	Clamping range d <sub>1</sub>	Dimensions			Weight kg	Ref. No.	SAP Ref. No.	On stock
			D	L	L <sub>1</sub> max				
40	WTE 08 IK	0,3 - 8	36	91	94	0,7	18.296.40.08.Z	30336034	●
50	WTE 08 IK	0,3 - 8	36	95	98	1,0	18.296.50.08.Z	30336036	●
63	WTE 08 IK	0,3 - 8	36	96	99	1,2	18.296.63.08.Z	30336044	●
50	WTE 13 IKT	0,5 - 13	50	116	122	1,5	18.296.50.13.Z	30336039	●
63	WTE 13 IKT	0,5 - 13	50	104	110	1,7	18.296.63.13.Z	30336046	●
50	WTE 16 IKT	2,5 - 16	57	121	127	1,6	18.296.50.16.Z	30336042	●
63	WTE 16 IKT	2,5 - 16	57	109	115	1,8	18.296.63.16.Z	30336048	●

(1) Gasket WTE 13 dia. 4.2 mm installed in drill chuck head, for drills with coolant supply dia. 6 - 13 mm with plain shank to DIN 6535 Form HA.

(2) Gasket WTE 13 dia. 2.05 mm included in scope of supply, for drills with coolant supply dia. 3 - 6 mm with plain shank to DIN 6535 Form HA.

Dimensions in mm.

Coolant tube not included.

Assembly tool for gasket at the end of this chapter.

Spare parts and accessories at the end of this chapter.

Special versions on request.

○ Products not on stock (delivery time on request).

● Available ex stock Germany.

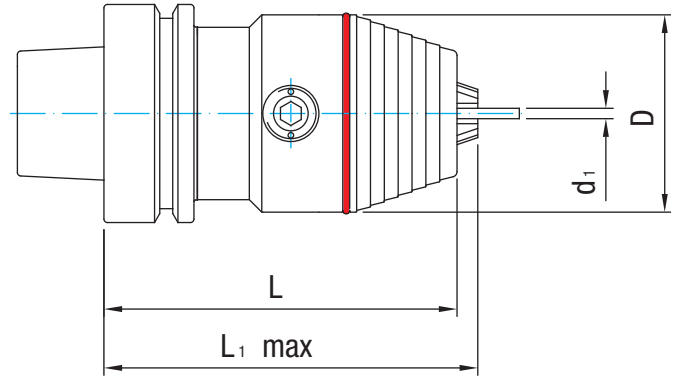
# CNC universal drill chuck

## DIN 69893-F



### Quality characteristics:

- rpm range up to 35.000 min<sup>-1</sup>
- Variable clamping range
- Dependable bevel gear
- Clockwise and counterclockwise rotation
- Slim design



Nominal size HSK-F	WTE Design	Clamping range d <sub>1</sub>	Dimensions			Weight kg	Ref. No.	SAP Ref. No.	On stock
			D	L	L <sub>1</sub> max				
40	WTE 08	0,3 - 8	36	87	90	0,6	17.296.40.08	30336027	●
50	WTE 13	0,5 - 13	50	116	122	1,5	17.296.50.13	30336028	●
63	WTE 13	0,5 - 13	50	97	103	1,7	17.296.63.13	30336031	●
50	WTE 16	2,5 - 16	57	121	127	1,6	17.296.50.16	30336029	●
63	WTE 16	2,5 - 16	57	102	108	1,8	17.296.63.16	30336032	●

Dimensions in mm.

Spare parts and accessories at the end of this chapter. Special versions on request.

○ Products not on stock (delivery time on request).

● Available ex stock Germany.

# CNC universal drill chuck

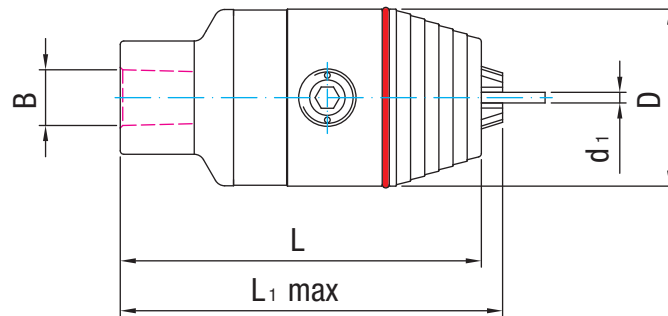
## WTE Plus

According DIN 238



### Quality characteristics:

- rpm range up to 35.000 min<sup>-1</sup>
- Variable clamping range
- Dependable bevel gear
- Clockwise and counterclockwise rotation
- Slim design



Nominal size B	WTE Design	Clamping range d <sub>1</sub>	Dimensions			Weight kg	Ref. No.	SAP Ref. No.	On stock
			D	L	L <sub>1 max</sub>				
B 12	WTE 08	0,3 - 8	36	76	79	0,4	12.296.B12.08	30344488	●
B 12	WTE 13	0,5 - 13	50	98	104	1,1	12.296.B12.13	30344489	●
B 16	WTE 08	0,3 - 8	36	82	85	0,5	12.296.B16.08	30344490	●
B 16	WTE 13	0,5 - 13	50	102	108	1,1	12.296.B16.13	30344491	●
B 16	WTE 16	2,5 - 16	57	107	113	1,3	12.296.B16.16	30344492	●
B 18	WTE 13	0,5 - 13	50	110	116	1,2	12.296.B18.13	30344493	●
B 18	WTE 16	2,5 - 16	57	115	121	1,4	12.296.B18.16	30344494	●

Dimensions in mm.

Spare parts and accessories at the end of this chapter. Special versions on request.

○ Products not on stock (delivery time on request).

● Available ex stock Germany.

# CNC universal drill chuck

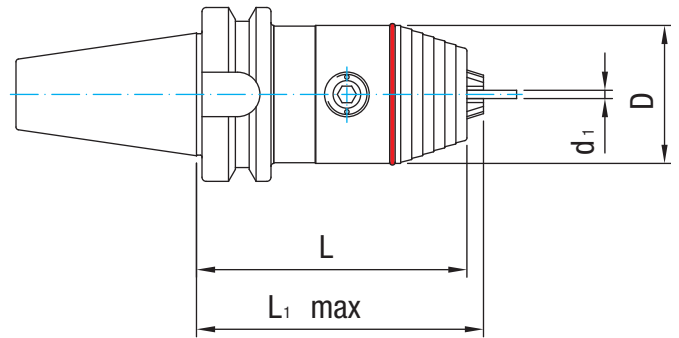
## JIS B6339, Form A

According MAS 403 BT



### Quality characteristics:

- rpm range up to 35.000 min<sup>-1</sup>
- Variable clamping range
- Dependable bevel gear
- Clockwise and counterclockwise rotation
- Slim design



Nominal size BT	WTE Design	Clamping range d <sub>1</sub>	Dimensions			Weight kg	Ref. No.	SAP Ref. No.	On stock
			D	L	L <sub>1</sub> max				
30	WTE 08	0,3 - 8	36	74	77	0,7	20.296.30.08	30336049	●
35	WTE 08	0,3 - 8	36	75	78	1,0	20.296.35.08	30336052	●
40	WTE 08	0,3 - 8	36	78	81	1,4	20.296.40.08	30336055	●
30	WTE 13	0,5 - 13	50	96	102	1,3	20.296.30.13	30336050	●
35	WTE 13	0,5 - 13	50	95	101	1,4	20.296.35.13	30336053	●
40	WTE 13	0,5 - 13	50	98	104	1,8	20.296.40.13	30336056	●
50	WTE 13	0,5 - 13	50	110	116	4,4	20.296.50.13	30336060	●
40	WTE 16	2,5 - 16	57	103	109	2,0	20.296.40.16	30336057	●
50	WTE 16	2,5 - 16	57	115	121	4,7	20.296.50.16	30336061	●

Dimensions in mm.

Spare parts and accessories at the end of this chapter. Special versions on request.

○ Products not on stock (delivery time on request).

● Available ex stock Germany.



# CNC universal drill chuck

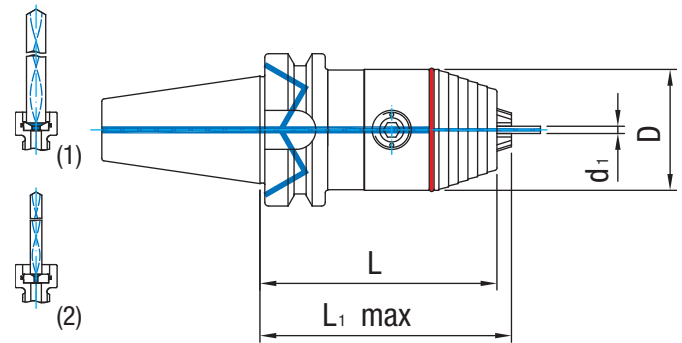
## JIS B6339, Form AD/B

According MAS 403 BT



### Quality characteristics:

- rpm range up to 35.000 min<sup>-1</sup>
- Variable clamping range
- Dependable bevel gear
- Clockwise and counterclockwise rotation
- Slim design



Nominal size BT	WTE Design	Clamping range d <sub>1</sub>	Dimensions			Weight kg	Ref. No.	SAP Ref. No.	On stock
			D	L	L <sub>1</sub> max				
40	WTE 08 IK	0,3 - 8	36	81	84	1,3	22.296.40.08	30336062	●
40	WTE 13 IK	0,5 - 13	50	98	104	1,8	22.296.40.13	30336064	●
50	WTE 13 IK	0,5 - 13	50	110	116	4,4	22.296.50.13	30336070	●
40	WTE 16 IK	2,5 - 16	57	103	109	2,0	22.296.40.16	30336067	●
50	WTE 16 IK	2,5 - 16	57	115	121	4,7	22.296.50.16	30336072	●

(1) Gasket WTE 13 dia. 4.2 mm installed in drill chuck head, for drills with coolant supply dia. 6 - 13 mm with plain shank to DIN 6535 Form HA.

(2) Gasket WTE 13 dia. 2.05 mm included in scope of supply, for drills with coolant supply dia. 3 - 6 mm with plain shank to DIN 6535 Form HA.

Dimensions in mm.

Basic form AD. Please indicate form AD or B in your order.

Assembly tool for gasket at the end of this chapter.

Spare parts and accessories at the end of this chapter.

Special versions on request.

○ Products not on stock (delivery time on request).

● Available ex stock Germany.

# CNC universal drill chuck

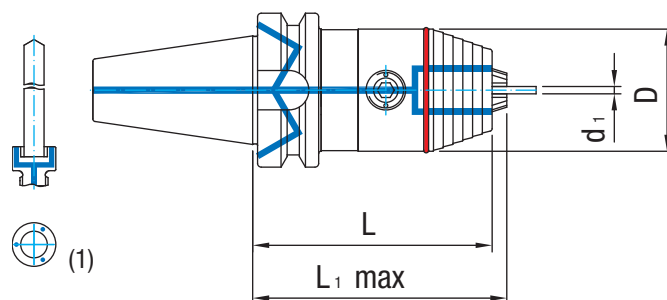
## JIS B6339, Form AD/B

According MAS 403 BT



### Quality characteristics:

- rpm range up to 35.000 min<sup>-1</sup>
- Variable clamping range
- Dependable bevel gear
- Clockwise and counterclockwise rotation
- Slim design



Nominal size BT	WTE Design	Clamping range d <sub>1</sub>	Dimensions			Weight kg	Ref. No.	SAP Ref. No.	On stock
			D	L	L <sub>1</sub> max				
40	WTE 08 IK	0,3 - 8	36	81	84	1,3	22.296.40.08.ZBA	30336063	●
40	WTE 13 IK	0,5 - 13	50	98	104	1,8	22.296.40.13.ZBA	30336065	●
50	WTE 13 IK	0,5 - 13	50	110	116	4,4	22.296.50.13.ZBA	30336071	●
40	WTE 16 IK	2,5 - 16	57	103	109	2,0	22.296.40.16.ZBA	30336068	●
50	WTE 16 IK	2,5 - 16	57	115	121	4,7	22.296.50.16.ZBA	30336073	●

(1) Coolant supply for tools without cooling duct.

Dimensions in mm.

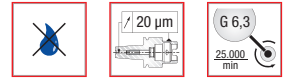
Basic form AD. Please indicate form AD or B in your order.

Spare parts and accessories at the end of this chapter.  
Special versions on request.

○ Products not on stock (delivery time on request).  
● Available ex stock Germany.

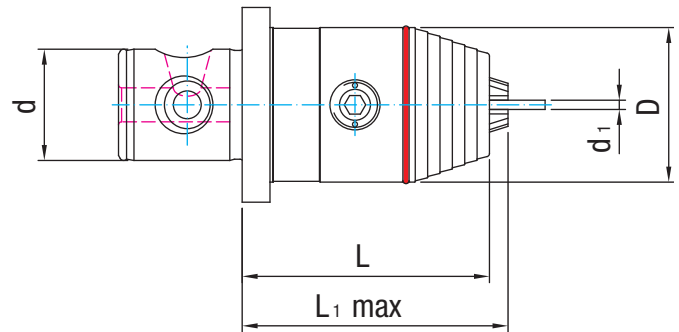
# CNC universal drill chuck

## Wohlhaupter



### Quality characteristics:

- rpm range up to 35.000 min<sup>-1</sup>
- Variable clamping range
- Dependable bevel gear
- Clockwise and counterclockwise rotation
- Slim design



Nominal size d	WTE Design	Clamping range d <sub>1</sub>	Dimensions			Weight kg	Ref. No.	SAP Ref. No.	On stock
			D	L	L <sub>1</sub> max				
28	WTE 13	0,5 - 13	50	80	86	1,1	61.296.28.13	30336205	●
36	WTE 13	0,5 - 13	50	80	86	1,3	61.296.36.13	30336210	●
28	WTE 16	2,5 - 16	57	85	91	1,3	61.296.28.16	30336207	●
36	WTE 16	2,5 - 16	57	85	91	1,5	61.296.36.16	30336212	●

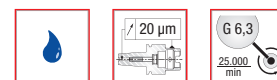
Dimensions in mm.

Spare parts and accessories at the end of this chapter. Special versions on request.

○ Products not on stock (delivery time on request).

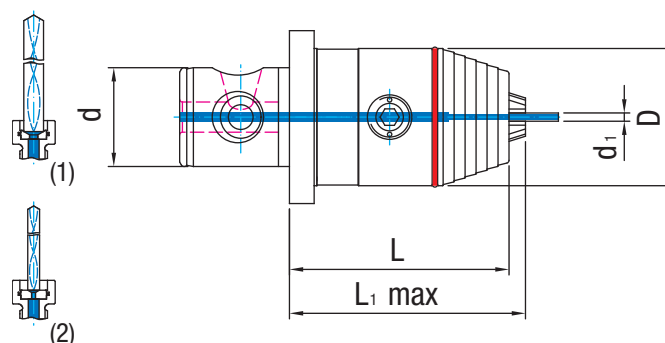
● Available ex stock Germany.

# CNC universal drill chuck Wohlhaupter



## Quality characteristics:

- rpm range up to 35.000 min<sup>-1</sup>
- Variable clamping range
- Dependable bevel gear
- Clockwise and counterclockwise rotation
- Slim design



Nominal size d	WTE Design	Clamping range d <sub>1</sub>	Dimensions			Weight kg	Ref. No.	SAP Ref. No.	On stock
			D	L	L <sub>1</sub> max				
28	WTE 13 IKT	0,5 - 13	50	80	86	1,2	61.296.28.13.Z	30336206	●
36	WTE 13 IKT	0,5 - 13	50	80	86	1,4	61.296.36.13.Z	30336211	●
28	WTE 16 IKT	2,5 - 16	57	85	91	1,4	61.296.28.16.Z	30336208	●
36	WTE 16 IKT	2,5 - 16	57	85	91	1,6	61.296.36.16.Z	30336213	●

(1) Gasket WTE 13 dia. 4.2 mm installed in drill chuck head, for drills with coolant supply dia. 6 - 13 mm with plain shank to DIN 6535 Form HA.

(2) Gasket WTE 13 dia. 2.05 mm included in scope of supply, for drills with coolant supply dia. 3 - 6 mm with plain shank to DIN 6535 Form HA.

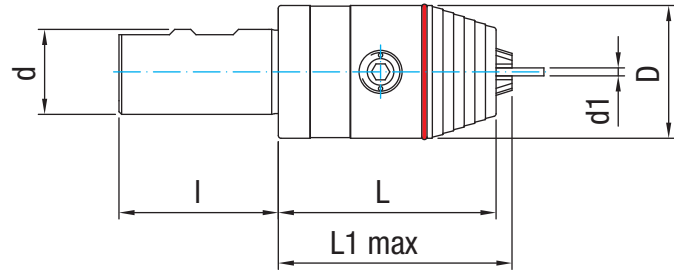
# CNC universal drill chuck

## DIN 1835-B



### Quality characteristics:

- rpm range up to 35.000 min<sup>-1</sup>
- Variable clamping range
- Dependable bevel gear
- Clockwise and counterclockwise rotation
- Slim design



Nominal size d x l	WTE Design	Clamping range d <sub>1</sub>	Dimensions			Weight kg	Ref. No.	SAP Ref. No.	On stock
			D	L	L <sub>1</sub> max				
20x50	WTE 08	0,3 - 8	36	59	62	0,8	40.296.20.08	30336132	●
25x56	WTE 08	0,3 - 8	36	52	55	0,9	40.296.25.08	30336135	●
32x60	WTE 08	0,3 - 8	36	52	55	1,0	40.296.32.08	30336138	●
20x50	WTE 13	0,5 - 13	50	82	88	1,1	40.296.20.13	30336133	●
25x56	WTE 13	0,5 - 13	50	82	88	1,2	40.296.25.13	30336136	●
32x60	WTE 13	0,5 - 13	50	82	88	1,3	40.296.32.13	30336139	●
40x70	WTE 13	0,5 - 13	50	80	86	1,6	40.296.40.13	30336141	●
50x80	WTE 13	0,5 - 13	50	80	86	2,2	40.296.50.13	30336143	●
25x56	WTE 16	2,5 - 16	57	87	93	1,4	40.296.25.16	30336137	●
32x60	WTE 16	2,5 - 16	57	87	93	1,5	40.296.32.16	30336140	●
40x70	WTE 16	2,5 - 16	57	85	91	1,8	40.296.40.16	30336142	●
50x80	WTE 16	2,5 - 16	57	85	91	2,4	40.296.50.16	30336144	●

Dimensions in mm.

Spare parts and accessories at the end of this chapter. Special versions on request.

○ Products not on stock (delivery time on request).

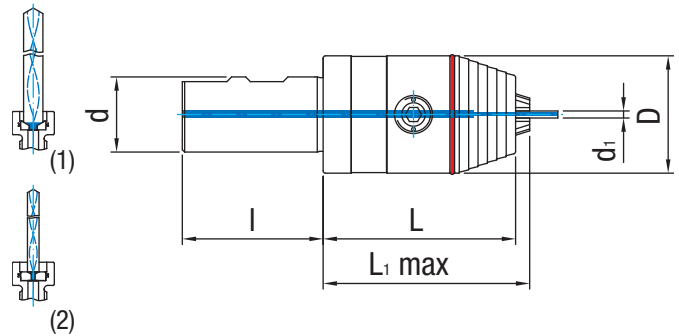
● Available ex stock Germany.

# CNC universal drill chuck DIN 1835-B



## Quality characteristics:

- rpm range up to 35.000 min<sup>-1</sup>
- Variable clamping range
- Dependable bevel gear
- Clockwise and counterclockwise rotation
- Slim design



Nominal size d x l	WTE Design	Clamping range d <sub>1</sub>	Dimensions			Weight kg	Ref. No.	SAP Ref. No.	On stock
			D	L	L <sub>1</sub> max				
20x50	WTE 08 IK	0,3 - 8	36	59	62	0,8	41.296.20.08.Z	30336145	●
25x56	WTE 08 IK	0,3 - 8	36	52	55	0,9	41.296.25.08.Z	30336148	●
32x60	WTE 08 IK	0,3 - 8	36	52	55	1,0	41.296.32.08.Z	30336154	●
20x50	WTE 13 IK	0,5 - 13	50	82	88	1,1	41.296.20.13.Z	30336146	●
25x56	WTE 13 IK	0,5 - 13	50	82	88	1,2	41.296.25.13.Z	30336150	●
32x60	WTE 13 IK	0,5 - 13	50	82	88	1,3	41.296.32.13.Z	30336155	●
40x70	WTE 13 IK	0,5 - 13	50	80	86	1,6	41.296.40.13.Z	30336158	●
50x80	WTE 13 IK	0,5 - 13	50	80	86	2,2	41.296.50.13.Z	30336162	●
25x56	WTE 16 IK	2,5 - 16	57	87	93	1,4	41.296.25.16.Z	30336152	●
32x60	WTE 16 IK	2,5 - 16	57	87	93	1,5	41.296.32.16.Z	30336157	●
40x70	WTE 16 IK	2,5 - 16	57	85	91	1,8	41.296.40.16.Z	30336160	●
50x80	WTE 16 IK	2,5 - 16	57	85	91	2,4	41.296.50.16.Z	30336163	●

(1) Gasket WTE 13 dia. 4.2 mm installed in drill chuck head, for drills with coolant supply dia. 6 - 13 mm with plain shank to DIN 6535 Form HA.

(2) Gasket WTE 13 dia. 2.05 mm included in scope of supply, for drills with coolant supply dia. 3 - 6 mm with plain shank to DIN 6535 Form HA.

# CNC universal drill chuck

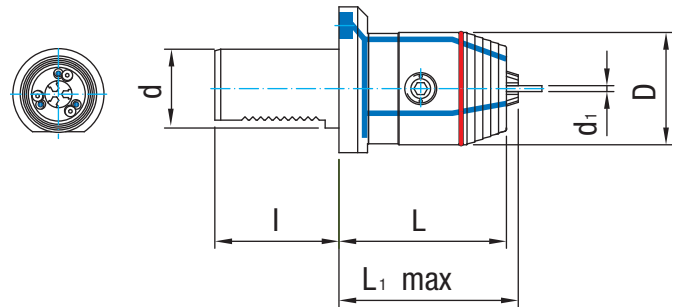
## DIN 69880

Coolant supply through spray nozzles



### Quality characteristics:

- rpm range up to 35.000 min<sup>-1</sup>
- Variable clamping range
- Dependable bevel gear
- Clockwise and counterclockwise rotation
- Slim design



Nominal size d x l	WTE Design	Clamping range d <sub>1</sub>	Dimensions			Weight kg	Ref. No.	SAP Ref. No.	On stock
			D	L	L <sub>1</sub> max				
16x32	WTE 08 VDI	0,3 - 8	40	60	63	0,6	47.296.16.08	30336165	●
20x40	WTE 08 VDI	0,3 - 8	40	60	63	0,7	47.296.20.08	30336166	●
25x48	WTE 08 VDI	0,3 - 8	40	60	63	0,8	47.296.25.08	30336168	●
30x55	WTE 08 VDI	0,3 - 8	40	60	63	1,0	47.296.30.08	30336171	●
40x63	WTE 08 VDI	0,3 - 8	40	65	68	1,7	47.296.40.08	30336174	●
20x40	WTE 13 VDI	0,5 - 13	57	82	88	1,7	47.296.20.13	30336167	●
25x48	WTE 13 VDI	0,5 - 13	57	82	88	1,7	47.296.25.13	30336169	●
30x55	WTE 13 VDI	0,5 - 13	57	82	88	2,1	47.296.30.13	30336172	●
40x63	WTE 13 VDI	0,5 - 13	57	85	91	2,6	47.296.40.13	30336175	●
50x78	WTE 13 VDI	0,5 - 13	57	85	91	3,4	47.296.50.13	30336177	●
30x55	WTE 16 VDI	2,5 - 16	57	82	93	2,1	47.296.30.16	30336173	●
40x63	WTE 16 VDI	2,5 - 16	57	85	96	2,6	47.296.40.16	30336176	●
50x78	WTE 16 VDI	2,5 - 16	57	85	96	3,4	47.296.50.16	30336178	●
60x94	WTE 16 VDI	2,5 - 16	57	93	104	4,9	47.296.60.16	30336179	●

Dimensions in mm.

Spare parts and accessories at the end of this chapter. Special versions on request.

○ Products not on stock (delivery time on request).

● Available ex stock Germany.

# CNC universal drill chuck

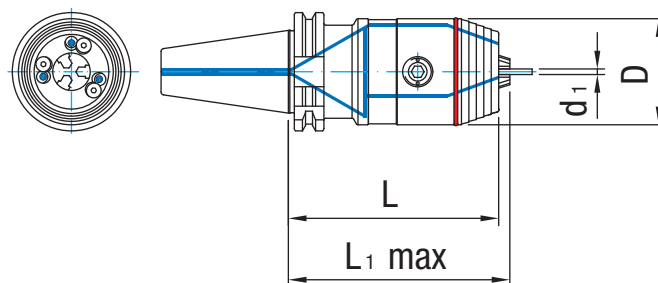
## DIN 69871 VDI

Coolant supply through spray nozzles



### Quality characteristics:

- rpm range up to 35.000 min<sup>-1</sup>
- Variable clamping range
- Dependable bevel gear
- Clockwise and counterclockwise rotation
- Slim design



Nominal size	WTE Design	Clamping range d <sub>1</sub>	Dimensions			Weight kg	Ref. No.	SAP Ref. No.	On stock
			D	L	L <sub>1</sub> max				
40	WTE 13 VDI	0,5 - 13	57	113	119	1,7	93.296.0022.13	30336248	●
40	WTE 16 VDI	2,5 - 16	57	113	124	1,9	93.296.0022.16	30336249	●

Dimensions in mm.

Spare parts and accessories at the end of this chapter. Special versions on request.

○ Products not on stock (delivery time on request).

● Available ex stock Germany.



# CNC universal drill chuck

## DIN 69880

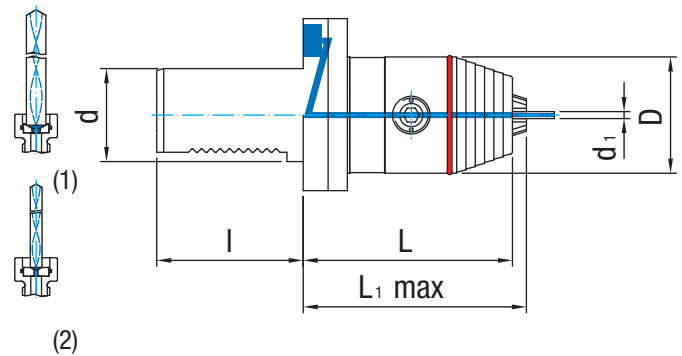
Internal coolant supply

DIN  
69880



### Quality characteristics:

- rpm range up to 35.000 min<sup>-1</sup>
- Variable clamping range
- Dependable bevel gear
- Clockwise and counterclockwise rotation
- Slim design



Nominal size d x l	WTE Design	Clamping range d <sub>1</sub>	Dimensions			Weight kg	Ref. No.	SAP Ref. No.	On stock
			D	L	L <sub>1</sub> max				
16x32	WTE 08 IK	0,3 - 8	36	68	71	0,6	48.296.16.08	30336180	●
20x40	WTE 08 IK	0,3 - 8	36	68	71	0,7	48.296.20.08	30336181	●
25x48	WTE 08 IK	0,3 - 8	36	68	71	0,8	48.296.25.08	30336185	●
30x55	WTE 08 IK	0,3 - 8	36	68	71	1,1	48.296.30.08	30336187	●
40x63	WTE 08 IK	0,3 - 8	36	68	71	1,5	48.296.40.08	30336194	●
20x40	WTE 13 IK	0,5 - 13	50	90	96	1,7	48.296.20.13	30336183	●
25x48	WTE 13 IK	0,5 - 13	50	90	96	1,7	48.296.25.13	30336186	●
30x55	WTE 13 IK	0,5 - 13	50	90	96	1,8	48.296.30.13	30336189	●
40x63	WTE 13 IK	0,5 - 13	50	90	96	2,3	48.296.40.13	30336195	●
50x78	WTE 13 IK	0,5 - 13	50	90	96	3,0	48.296.50.13	30336201	●
30x55	WTE 16 IK	2,5 - 16	57	95	101	2,0	48.296.30.16	30336192	●
40x63	WTE 16 IK	2,5 - 16	57	95	101	2,5	48.296.40.16	30336198	●
50x78	WTE 16 IK	2,5 - 16	57	95	101	3,3	48.296.50.16	30336202	●
60x94	WTE 16 IK	2,5 - 16	57	95	101	4,9	48.296.60.16	30336203	●

(1) Gasket WTE 13 dia. 4.2 mm installed in drill chuck head, for drills with coolant supply dia. 6 - 13 mm with plain shank to DIN 6535 Form HA.

(2) Gasket WTE 13 dia. 2.05 mm included in scope of supply, for drills with coolant supply dia. 3 - 6 mm with plain shank to DIN 6535 Form HA.

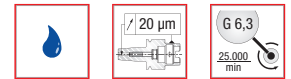
Dimensions in mm.

Spare parts and accessories at the end of this chapter. Special versions on request.

○ Products not on stock (delivery time on request).

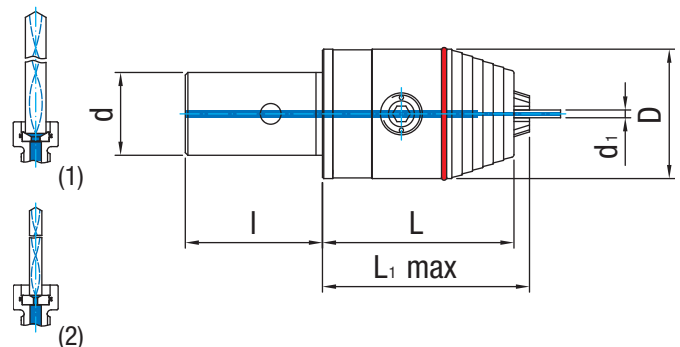
● Available ex stock Germany.

# CNC universal drill chuck MORI-SEIKI



## Quality characteristics:

- rpm range up to 35.000 min<sup>-1</sup>
- Variable clamping range
- Dependable bevel gear
- Clockwise and counterclockwise rotation
- Slim design



Nominal size d x l	WTE Design	Clamping range d <sub>1</sub>	Dimensions			Weight kg	Ref. No.	SAP Ref. No.	On stock
			D	L	L <sub>1</sub> max				
32x53	WTE 08 IK	0,3 - 8	36	54	57	0,7	93.296.0014.08	30336241	●
32x53	WTE 13 IK	0,5 - 13	50	74	80	1,1	93.296.0015.13	30336242	●
32x53	WTE 16 IK	2,5 - 16	57	79	85	1,3	93.296.0015.16	30336243	●
40x53	WTE 13 IK	0,5 - 13	50	74	80	1,3	93.296.0018.13	30336244	●
40x53	WTE 16 IK	2,5 - 16	57	79	85	1,5	93.296.0018.16	30336245	●

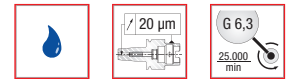
(1) Gasket WTE 13 dia. 4.2 mm installed in drill chuck head, for drills with coolant supply dia. 6 - 13 mm with plain shank to DIN 6535 Form HA.

(2) Gasket WTE 13 dia. 2.05 mm included in scope of supply, for drills with coolant supply dia. 3 - 6 mm with plain shank to DIN 6535 Form HA.

# CNC universal drill chuck

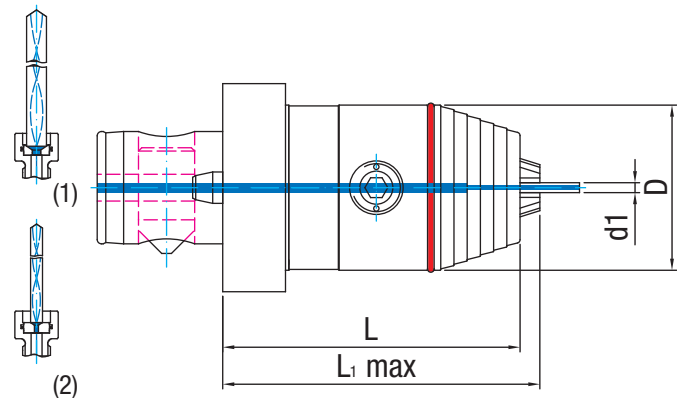
## ABS

Licence Komet



### Quality characteristics:

- rpm range up to 35.000 min<sup>-1</sup>
- Variable clamping range
- Dependable bevel gear
- Clockwise and counterclockwise rotation
- Slim design



Nominal size ABS	WTE Design	Clamping range d <sub>1</sub>	Dimensions			Weight kg	Ref. No.	SAP Ref. No.	On stock
			D	L	L <sub>1</sub> max				
50	WTE 13 IKT	0,5 - 13	50	85	91	1,2	63.296.50.13.Z	30336217	●
63	WTE 13 IKT	0,5 - 13	50	90	96	1,5	63.296.63.13.Z	30336219	●
50	WTE 16 IKT	2,5 - 16	57	90	96	1,4	63.296.50.16.Z	30336218	●
63	WTE 16 IKT	2,5 - 16	57	95	101	1,5	63.296.63.16.Z	30336220	●

- (1) Gasket WTE 13 dia. 4.2 mm installed in drill chuck head, for drills with coolant supply dia. 6 - 13 mm with plain shank to DIN 6535 Form HA.  
 (2) Gasket WTE 13 dia. 2.05 mm included in scope of supply, for drills with coolant supply dia. 3 - 6 mm with plain shank to DIN 6535 Form HA.

Dimensions in mm.

Assembly tool for gasket at the end of this chapter.

Spare parts and accessories at the end of this chapter.

Special versions on request.

○ Products not on stock (delivery time on request).

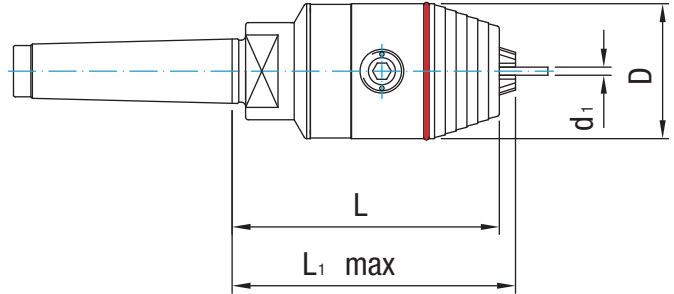
● Available ex stock Germany.

# CNC universal drill chuck DIN 228-A



## Quality characteristics:

- rpm range up to 35.000 min<sup>-1</sup>
- Variable clamping range
- Dependable bevel gear
- Clockwise and counterclockwise rotation
- Slim design



Nominal size MK	WTE Design	Clamping range d <sub>1</sub>	Dimensions			Weight kg	Ref. No.	SAP Ref. No.	On stock
			D	L	L <sub>1</sub> max				
MK2	WTE 08	0,3 - 8	36	73	76	0,7	36.296.02.08	30336113	●
MK3	WTE 08	0,3 - 8	36	73	76	0,8	36.296.03.08	30336115	●
MK2	WTE 13	0,5 - 13	50	99	105	1,1	36.296.02.13	30336114	●
MK3	WTE 13	0,5 - 13	50	99	105	1,2	36.296.03.13	30336116	●
MK4	WTE 13	0,5 - 13	50	104	110	1,6	36.296.04.13	30336118	●
MK5	WTE 13	0,5 - 13	50	106	112	2,6	36.296.05.13	30336120	●
MK3	WTE 16	2,5 - 16	57	104	110	1,4	36.296.03.16	30336117	●
MK4	WTE 16	2,5 - 16	57	109	115	1,9	36.296.04.16	30336119	●
MK5	WTE 16	2,5 - 16	57	111	117	2,8	36.296.05.16	30336121	●

Dimensions in mm.

Spare parts and accessories at the end of this chapter. Special versions on request.

○ Products not on stock (delivery time on request).

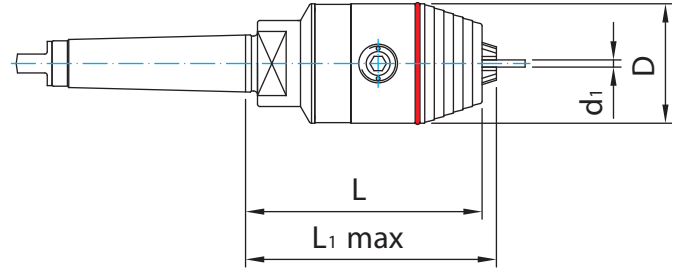
● Available ex stock Germany.

# CNC universal drill chuck DIN 228-B



## Quality characteristics:

- rpm range up to 35.000 min<sup>-1</sup>
- Variable clamping range
- Dependable bevel gear
- Clockwise and counterclockwise rotation
- Slim design



Nominal size MK	WTE Design	Clamping range d <sub>1</sub>	Dimensions			Weight kg	Ref. No.	SAP Ref. No.	On stock
			D	L	L <sub>1</sub> max				
MK2	WTE 08	0,3 - 8	36	73	76	0,7	37.296.02.08	30336122	●
MK3	WTE 08	0,3 - 8	36	73	76	0,8	37.296.03.08	30336125	●
MK2	WTE 13	0,5 - 13	50	99	105	1,1	37.296.02.13	30336123	●
MK3	WTE 13	0,5 - 13	50	99	105	1,2	37.296.03.13	30336126	●
MK4	WTE 13	0,5 - 13	50	104	110	1,6	37.296.04.13	30336128	●
MK5	WTE 13	0,5 - 13	50	106	112	2,6	37.296.05.13	30336130	●
MK3	WTE 16	2,5 - 16	57	104	110	1,4	37.296.03.16	30336127	●
MK4	WTE 16	2,5 - 16	57	109	115	1,9	37.296.04.16	30336129	●
MK5	WTE 16	2,5 - 16	57	111	117	2,8	37.296.05.16	30336131	●

Dimensions in mm.

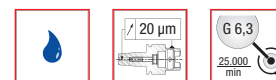
Spare parts and accessories at the end of this chapter. Special versions on request.

○ Products not on stock (delivery time on request).

● Available ex stock Germany.

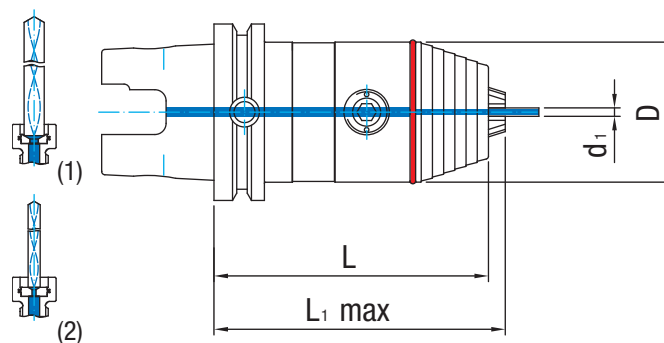
# CNC universal drill chuck INTEGREX

With MAZAK shank, 100, 200, 300, 400 (Y/SY)



## Quality characteristics:

- rpm range up to 35.000 min<sup>-1</sup>
- Variable clamping range
- Dependable bevel gear
- Clockwise and counterclockwise rotation
- Slim design



Nominal size MAZAK	WTE Design	Clamping range d <sub>1</sub>	Dimensions			Weight kg	Ref. No.	SAP Ref. No.	On stock
			D	L	L <sub>1</sub> max				
63	WTE 08 IK	0,5 - 13	36	78	81	1,0	66.296.63.08.Z	30336227	●
63	WTE 13 IKT	0,5 - 13	50	98	104	1,7	66.296.63.13.Z	30336228	●
63	WTE 16 IKT	2,5 - 16	57	103	109	1,9	66.296.63.16.Z	30336229	●

(1) Gasket WTE 13 dia. 4.2 mm installed in drill chuck head, for drills with coolant supply dia. 6 - 13 mm with plain shank to DIN 6535 Form HA.

(2) Gasket WTE 13 dia. 2.05 mm included in scope of supply, for drills with coolant supply dia. 3 - 6 mm with plain shank to DIN 6535 Form HA.

Dimensions in mm.

According Ref. No. „KM63 XMZ“.

Assembly tool for gasket at the end of this chapter.

Spare parts and accessories at the end of this chapter.

Special versions on request.

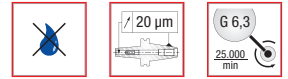
○ Products not on stock (delivery time on request).

● Available ex stock Germany.

# CNC universal drill chuck

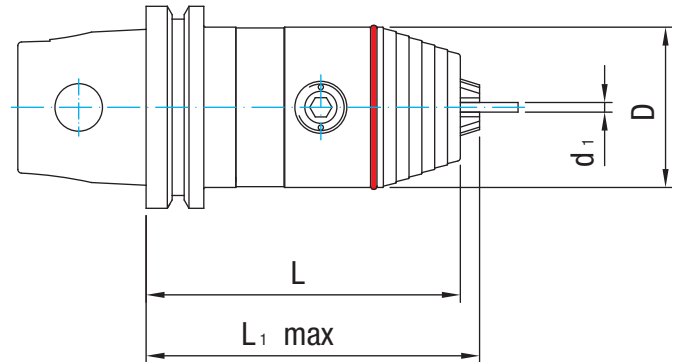
## UTS

Licence Widia



### Quality characteristics:

- rpm range up to 35.000 min<sup>-1</sup>
- Variable clamping range
- Dependable bevel gear
- Clockwise and counterclockwise rotation
- Slim design



Nominal size UTS	WTE Design	Clamping range d <sub>1</sub>	Dimensions			Weight kg	Ref. No.	SAP Ref. No.	On stock
			D	L	L <sub>1</sub> max				
63	WTE 08	0,5 - 13	36	78	81	1,0	65.296.63.08	30336221	●
63	WTE 13	0,5 - 13	50	98	104	1,7	65.296.63.13	30336223	●
63	WTE 16	2,5 - 16	57	103	109	1,9	65.296.63.16	30336225	●

Dimensions in mm.

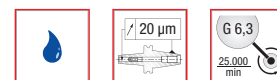
For MAZAK and MORI-SEIKI machines, please send an extra inquiry.

Spare parts and accessories at the end of this chapter.  
Special versions on request.

○ Products not on stock (delivery time on request).  
● Available ex stock Germany.

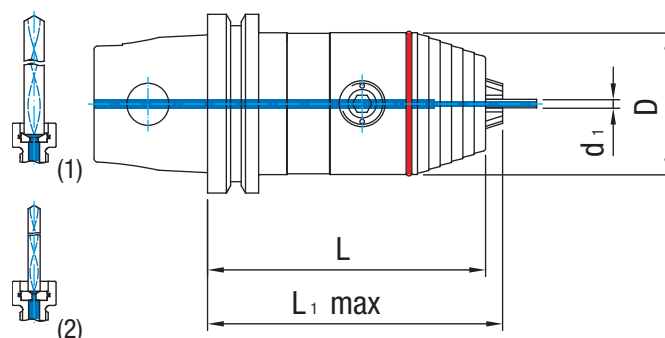
# CNC universal drill chuck UTS

Licence Widia, internal coolant supply



## Quality characteristics:

- rpm range up to 35.000 min<sup>-1</sup>
- Variable clamping range
- Dependable bevel gear
- Clockwise and counterclockwise rotation
- Slim design



Nominal size UTS	WTE Design	Clamping range d <sub>1</sub>	Dimensions			Weight kg	Ref. No.	SAP Ref. No.	On stock
			D	L	L <sub>1</sub> max				
63	WTE 08 IK	0,5 - 13	36	78	81	1,0	65.296.63.08.Z	30336222	●
63	WTE 13 IKT	0,5 - 13	50	98	104	1,7	65.296.63.13.Z	30336224	●
63	WTE 16 IKT	2,5 - 16	57	103	109	1,9	65.296.63.16.Z	30336226	●

(1) Gasket WTE 13 dia. 4.2 mm installed in drill chuck head, for drills with coolant supply dia. 6 - 13 mm with plain shank to DIN 6535 Form HA.

(2) Gasket WTE 13 dia. 2.05 mm included in scope of supply, for drills with coolant supply dia. 3 - 6 mm with plain shank to DIN 6535 Form HA.

Dimensions in mm.

For MAZAK and MORI-SEIKI machines, please send an extra inquiry.

Assembly tool for gasket at the end of this chapter.

Spare parts and accessories at the end of this chapter.

Special versions on request.

○ Products not on stock (delivery time on request).

● Available ex stock Germany.



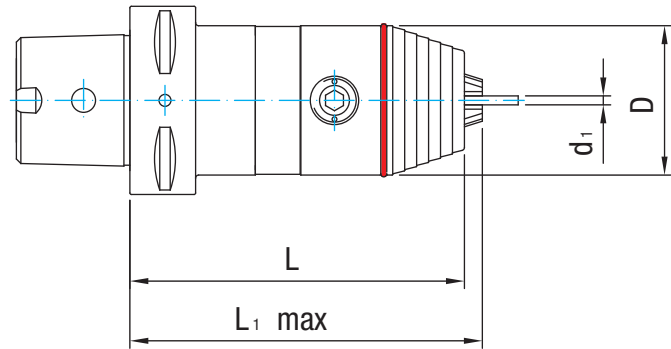
# CNC universal drill chuck mit Polygonschaft (PSC)

Acc. ISO 26623-1



## Quality characteristics:

- rpm range up to 35.000 min<sup>-1</sup>
- Variable clamping range
- Dependable bevel gear
- Clockwise and counterclockwise rotation
- Slim design



Nominal size PSC	WTE Design	Clamping range d <sub>1</sub>	Dimensions			Weight kg	Ref. No.	SAP Ref. No.	On stock
			D	L	L <sub>1</sub> max				
63	WTE 08	0,5 - 13	36	91	94	1,1	67.296.63.08	30336230	●
63	WTE 13	0,5 - 13	50	112	118	1,9	67.296.63.13	30336232	●
63	WTE 16	2,5 - 16	57	117	123	2,1	67.296.63.16	30336234	●

Dimensions in mm.

Spare parts and accessories at the end of this chapter. Special versions on request.

○ Products not on stock (delivery time on request).

● Available ex stock Germany.

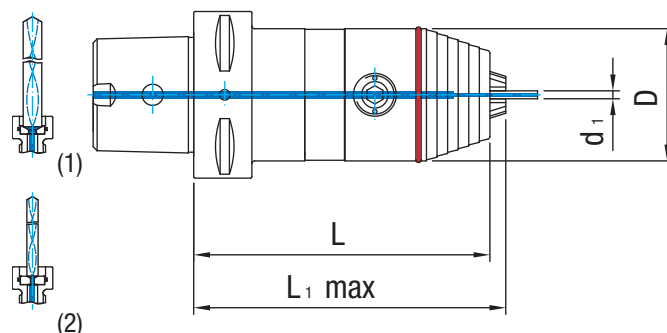
# CNC universal drill chuck mit Polygonschaft (PSC)

Acc. ISO 26623-1, internal coolant supply



## Quality characteristics:

- rpm range up to 35.000 min<sup>-1</sup>
- Variable clamping range
- Dependable bevel gear
- Clockwise and counterclockwise rotation
- Slim design



Nominal size PSC	WTE Design	Clamping range d <sub>1</sub>	Dimensions			Weight kg	Ref. No.	SAP Ref. No.	On stock
			D	L	L <sub>1 max</sub>				
63	WTE 08 IK	0,5 - 13	36	91	94	1,1	67.296.63.08.Z	30336231	●
63	WTE 13 IK	0,5 - 13	50	112	118	1,9	67.296.63.13.Z	30336233	●
63	WTE 16 IK	2,5 - 16	57	117	123	2,1	67.296.63.16.Z	30336235	●

(1) Gasket WTE 13 dia. 4.2 mm installed in drill chuck head, for drills with coolant supply dia. 6 - 13 mm with plain shank to DIN 6535 Form HA.

(2) Gasket WTE 13 dia. 2.05 mm included in scope of supply, for drills with coolant supply dia. 3 - 6 mm with plain shank to DIN 6535 Form HA.

Dimensions in mm.

Spare parts and accessories at the end of this chapter.

Assembly tool for gaskets at the end of this chapter.

○ Products not on stock (delivery time on request).

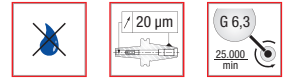
Assembly tool for gasket at the end of this chapter.

Special versions on request.

● Available ex stock Germany.

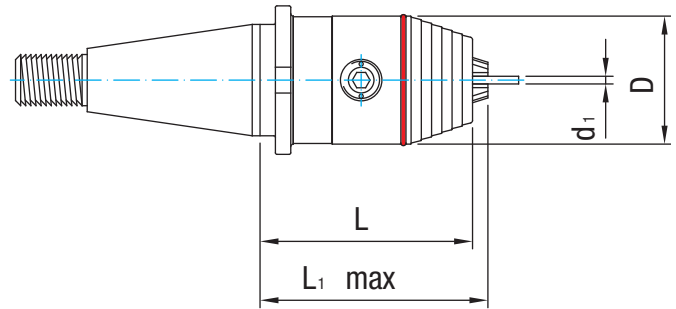
# CNC universal drill chuck S20x2 (Deckel)

For Deckel machines with screw cutting



## Quality characteristics:

- rpm range up to 35.000 min<sup>-1</sup>
- Variable clamping range
- Dependable bevel gear
- Clockwise and counterclockwise rotation
- Slim design



Nominal size	WTE Design	Clamping range d <sub>1</sub>	Dimensions			Weight kg	Ref. No.	SAP Ref. No.	On stock
			D	L	L <sub>1</sub> max				
40	WTE 08	0,5 - 13	36	62	65	1,2	62.296.40.08	30336214	●
40	WTE 13	0,5 - 13	50	83	89	1,6	62.296.40.13	30336215	●
40	WTE 16	2,5 - 16	57	88	94	1,8	62.296.40.16	30336216	●

Dimensions in mm.

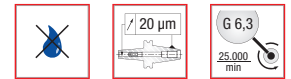
Spare parts and accessories at the end of this chapter. Special versions on request.

○ Products not on stock (delivery time on request).

● Available ex stock Germany.

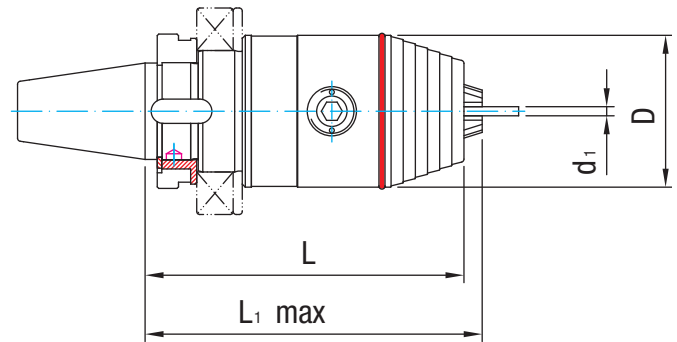
# CNC universal drill chuck

## Chiron



### Quality characteristics:

- rpm range up to 35.000 min<sup>-1</sup>
- Variable clamping range
- Dependable bevel gear
- Clockwise and counterclockwise rotation
- Slim design



Nominal size	WTE Design	Clamping range d <sub>1</sub>	Dimensions			Weight kg	Ref. No.	SAP Ref. No.	On stock
			D	L	L <sub>1</sub> max				
30	WTE 08	0,3 - 8	36	85	88	0,8	25.296.30.08	30336083	●
30	WTE 13	0,5 - 13	50	105	111	1,4	25.296.30.13	30336085	●
30	WTE 16	2,5 - 16	57	110	116	1,6	25.296.30.16	30336087	●

Dimensions in mm.

Ball bearing not included.

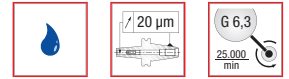
Spare parts and accessories at the end of this chapter.

Special versions on request.

○ Products not on stock (delivery time on request).

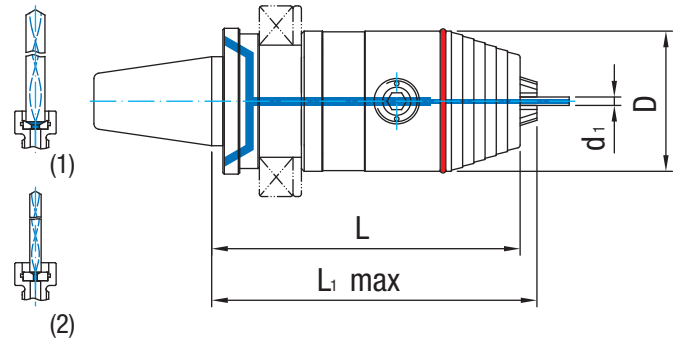
● Available ex stock Germany.

# CNC universal drill chuck Chiron



## Quality characteristics:

- rpm range up to 35.000 min<sup>-1</sup>
- Variable clamping range
- Dependable bevel gear
- Clockwise and counterclockwise rotation
- Slim design



Nominal size	WTE Design	Clamping range d <sub>1</sub>	Dimensions			Weight kg	Ref. No.	SAP Ref. No.	On stock
			D	L	L <sub>1</sub> max				
30	WTE 08 IK	0,3 - 8	36	89	92	0,9	25.296.30.08.Z	30336084	●
30	WTE 13 IKT	0,5 - 13	50	110	116	1,5	25.296.30.13.Z	30336086	●
30	WTE 16 IKT	2,5 - 16	57	115	121	1,6	25.296.30.16.Z	30336088	●

(1) Gasket WTE 13 dia. 4.2 mm installed in drill chuck head, for drills with coolant supply dia. 6 - 13 mm with plain shank to DIN 6535 Form HA.

(2) Gasket WTE 13 dia. 2.05 mm included in scope of supply, for drills with coolant supply dia. 3 - 6 mm with plain shank to DIN 6535 Form HA.

Dimensions in mm.

Ball bearing not included.

Assembly tool for gasket at the end of this chapter.

Spare parts and accessories at the end of this chapter.

Special versions on request.

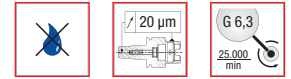
○ Products not on stock (delivery time on request).

● Available ex stock Germany.

# CNC universal drill chuck

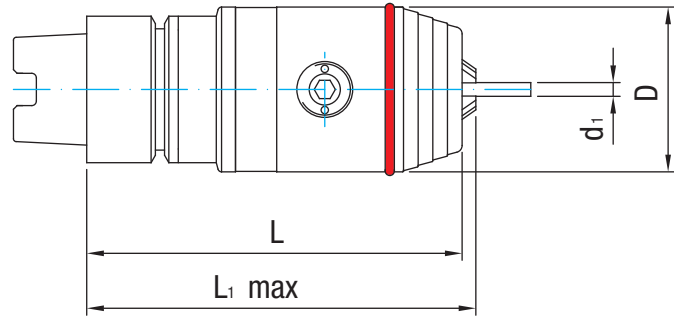
## Chiron FZ 08

For basket changer with 12 tool stations



### Quality characteristics:

- rpm range up to 35.000 min<sup>-1</sup>
- Variable clamping range
- Dependable bevel gear
- Clockwise and counterclockwise rotation
- Slim design



Nominal size	WTE Design	Clamping range d <sub>1</sub>	Dimensions			Weight kg	Ref. No.	SAP Ref. No.	On stock
			D	L	L <sub>1</sub> max				
32	WTE 08	0,5 - 13	36	82	85	0,6	93.296.0012.08	30336239	●

Dimensions in mm.

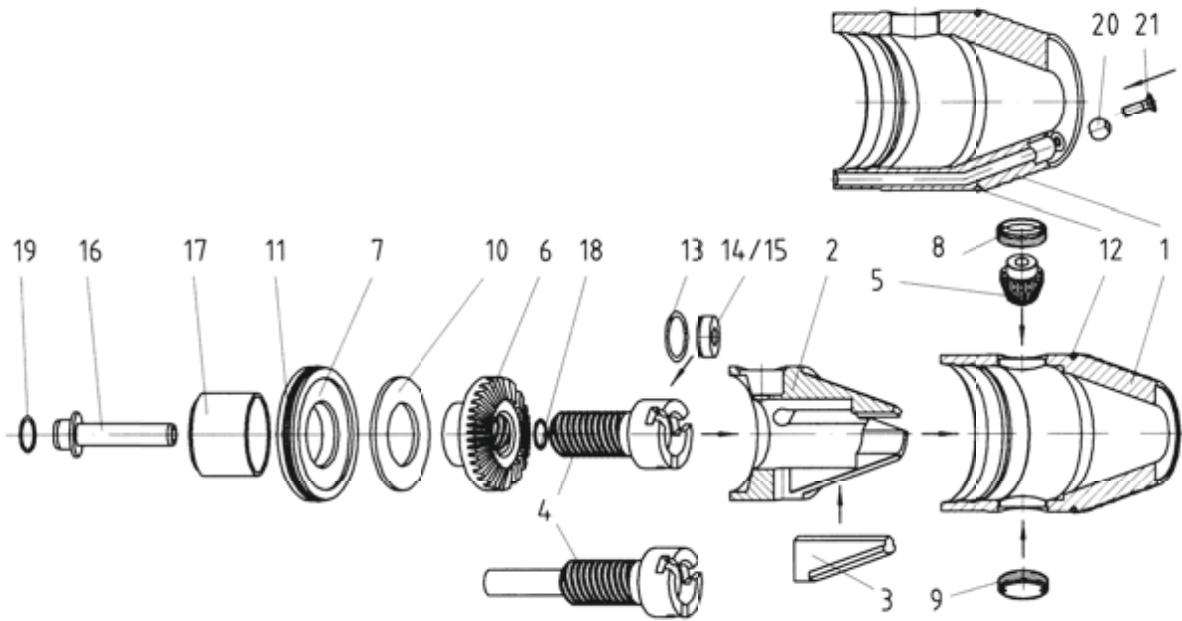
Spare parts and accessories at the end of this chapter. Special versions on request.

○ Products not on stock (delivery time on request).

● Available ex stock Germany.

# Spare parts for CNC universal drill chucks

Design WTE 08



Nr.	Type	Ref. No.	SAP Ref. No.	On stock
1	Shell	89.208.01	30266093	●
2	Spreader cone	89.208.02	30266130	●
3	Clamping jaw(1Satz/3)	89.208.03	30266138	●
4	Spindle	89.208.04	30266107	●
5	Pinion	89.208.05	30266141	●
6	Bevel gear	89.208.06	30266194	●
7	Thrust member	89.208.07	30266164	●
8	Pinion bolt	89.208.08	30266192	●
9	Lid	89.208.09	30266152	●
10	Thrust washer	89.208.10	30266156	●
11	O-Ring 24 x 1	89.208.11	10072512	●
12	O-Ring, red	89.208.39	30263594	●

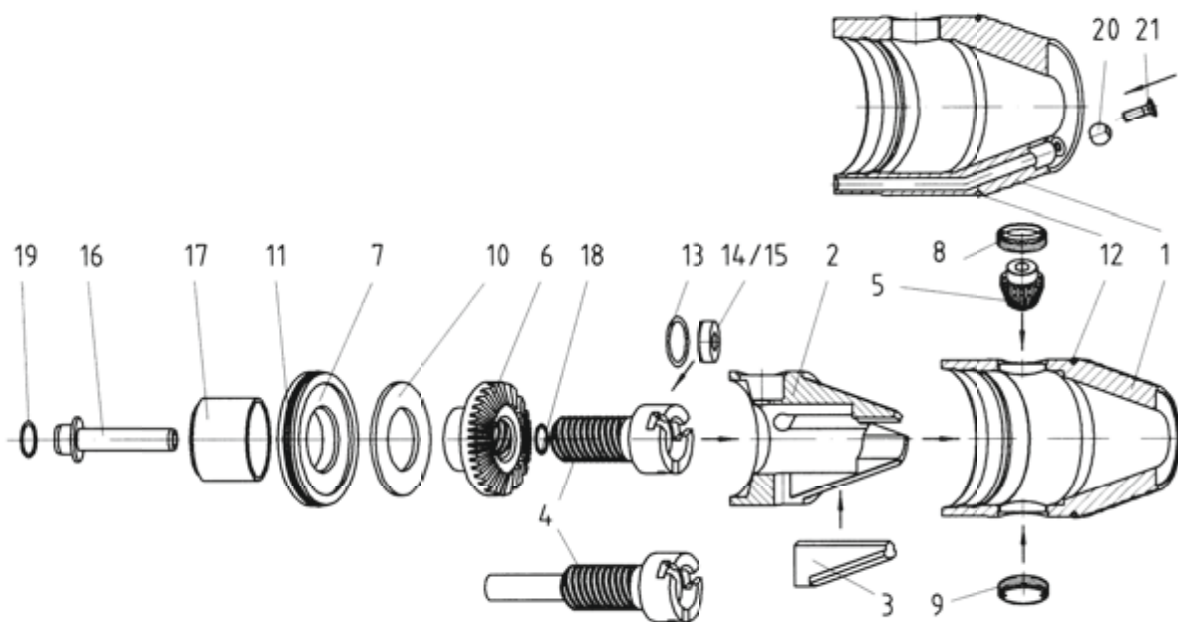
○ Products not on stock (delivery time on request).

● Available ex stock Germany.

Dimensions in mm.

# Spare parts for CNC universal drill chucks

Design WTE 08 IC



Nr.	Type	Ref. No.	SAP Ref. No.	On stock
1	Shell	89.208.01	30266093	●
2	Spreader cone	89.208.02	30266130	●
3	Clamping jaw(1Satz/3)	89.208.03	30266138	●
4	Spindle	89.208.13	30266108	●
5	Pinion	89.208.05	30266141	●
6	Bevel gear	89.208.06	30266194	●
7	Thrust member	89.208.07	30266164	●
8	Pinion bolt	89.208.08	30266192	●
9	Lid	89.208.09	30266152	●
10	Thrust washer	89.208.10	30266156	●
11	O-Ring 24 x 1	89.208.11	10072512	●
12	O-Ring, red	89.208.39	30263594	●
13	O-Ring 8 x 1	89.208.14	10015675	●
14	Gasket Ø 1,8 - 4	89.208.15	30266123	●
15	Gasket Ø 3,2 - 8	89.208.16	30266125	●
19	O-Ring 8 x 1,5	89.213.20	10015676	●

○ Products not on stock (delivery time on request).

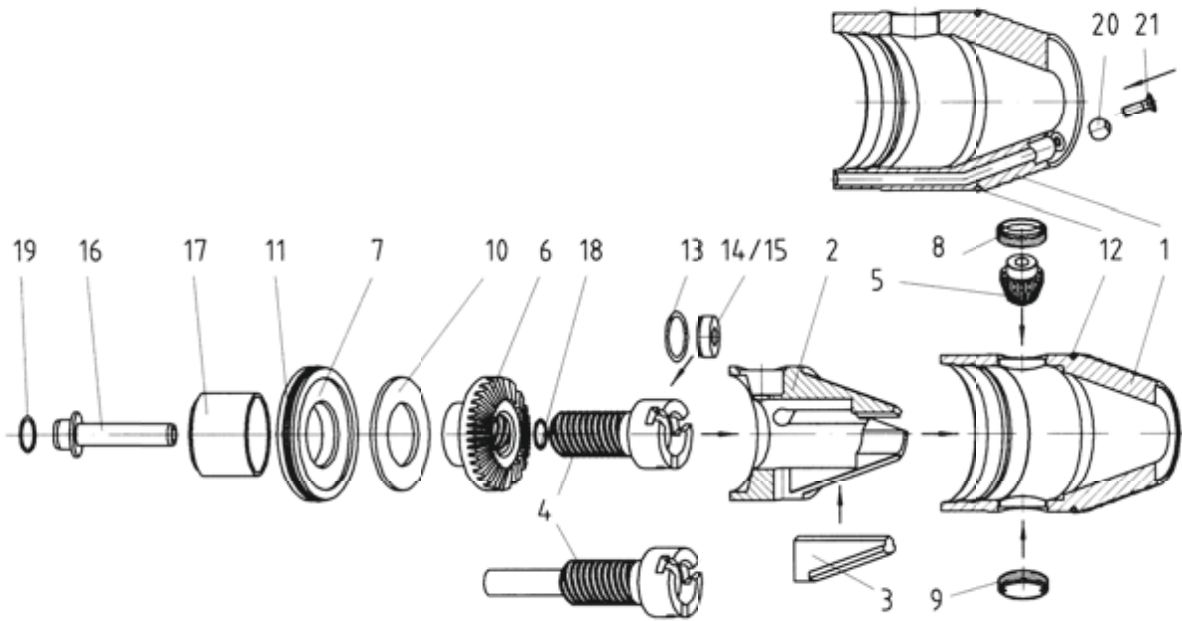
● Available ex stock Germany.

Dimensions in mm.



# Spare parts for CNC universal drill chucks

Design WTE 08 VDI



Nr.	Type	Ref. No.	SAP Ref. No.	On stock
1	Shell	89.208.17	30266094	●
2	Spreader cone	89.208.02	30266130	●
3	Clamping jaw(1Satz/3)	89.208.03	30266138	●
4	Spindle	89.208.04	30266107	●
5	Pinion	89.208.05	30266141	●
6	Bevel gear	89.208.06	30266194	●
7	Thrust member	89.208.07	30266164	●
8	Pinion bolt	89.208.08	30266192	●
10	Thrust washer	89.208.10	30266156	●
11	O-Ring 24 x 1	89.208.11	10072512	●
12	O-Ring, red	89.208.39	30263594	●
20	Ball Ø 5,5	89.208.18	30266161	●
21	Countersink head screw	89.208.19	10003770	●

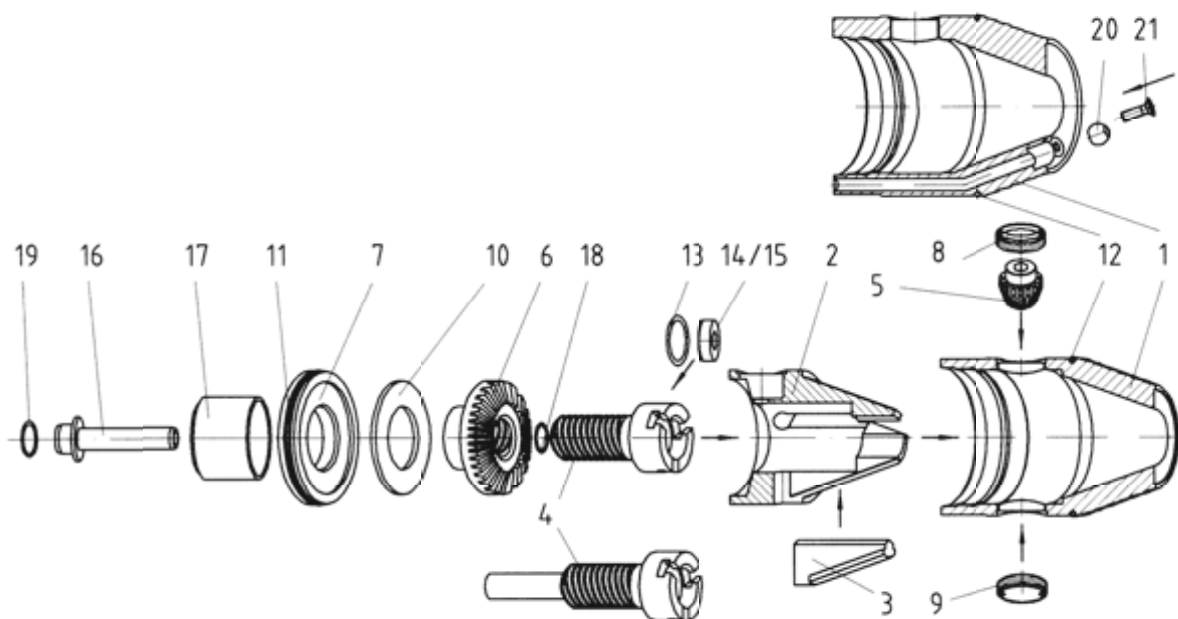
Dimensions in mm.

○ Products not on stock (delivery time on request).

● Available ex stock Germany.

# Spare parts for CNC universal drill chucks

Design WTE 13



Nr.	Type	Ref. No.	SAP Ref. No.	On stock
1	Shell	89.213.01	30266096	●
2	Spreader cone	89.213.02	30266133	●
3	Clamping jaw (1 Satz = 3 Stück)	89.213.03	30266139	●
4	Spindle	89.213.04	30266111	●
5	Pinion	89.213.05	30266142	●
6	Bevel gear	89.213.06	30266195	●
7	Thrust member	89.213.07	30266165	●
8	Pinion bolt	89.213.08	30266193	●
9	Lid	89.213.09	30266153	●
10	Thrust washer	89.213.10	30266155	●
11	O-Ring 38x1,5	89.213.11	10019664	●
12	O-Ring, red	89.213.39	30346068	●

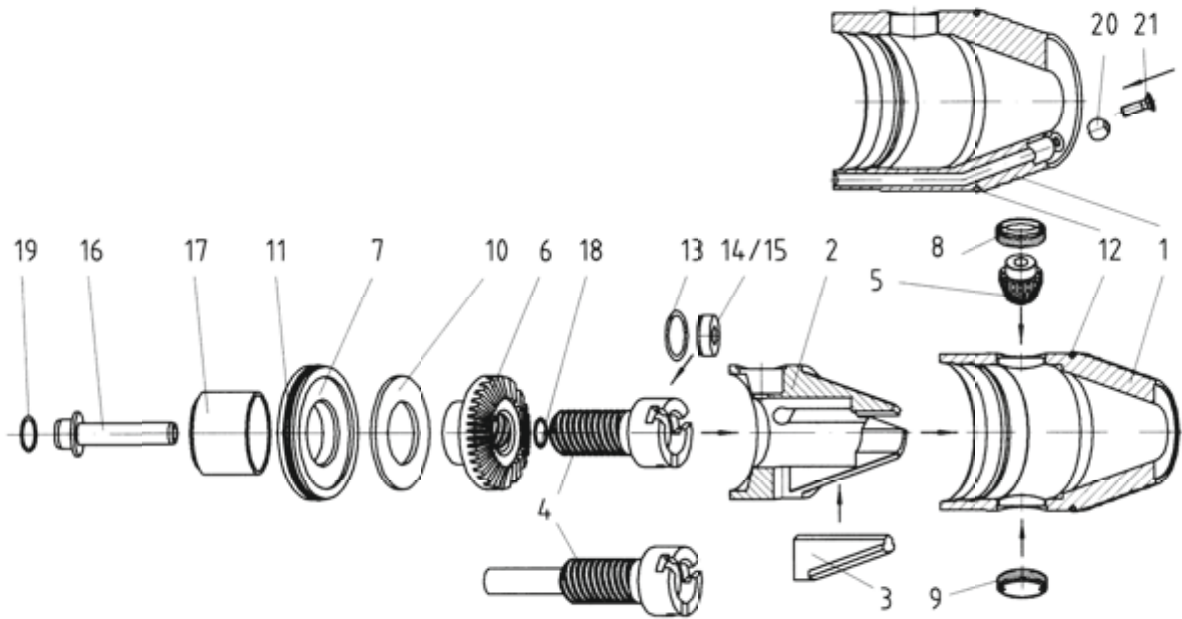
○ Products not on stock (delivery time on request).

● Available ex stock Germany.

Dimensions in mm.

# Spare parts for CNC universal drill chucks

Design WTE 13 IC



Nr.	Type	Ref. No.	SAP Ref. No.	On stock
1	Shell	89.213.01	30266096	●
2	Spreader cone	89.213.02	30266133	●
3	Clamping jaw (1 Satz = 3 Stück)	89.213.03	30266139	●
4	Spindle	89.213.13	30266112	●
5	Pinion	89.213.05	30266142	●
6	Bevel gear	89.213.06	30266195	●
7	Thrust member	89.213.07	30266165	●
8	Pinion bolt	89.213.08	30266193	●
9	Lid	89.213.09	30266153	●
10	Thrust washer	89.213.10	30266155	●
11	O-Ring 38x1,5	89.213.11	10019664	●
12	O-Ring, red	89.213.39	30346068	●
13	O-Ring 13x1,5	89.213.14	10002538	●
14	Gasket Ø 3-6	89.213.15	30266126	●
15	Gasket Ø 6-13	89.213.16	30266127	●
19	O-Ring 8 x 1,5	89.213.20	10015676	●

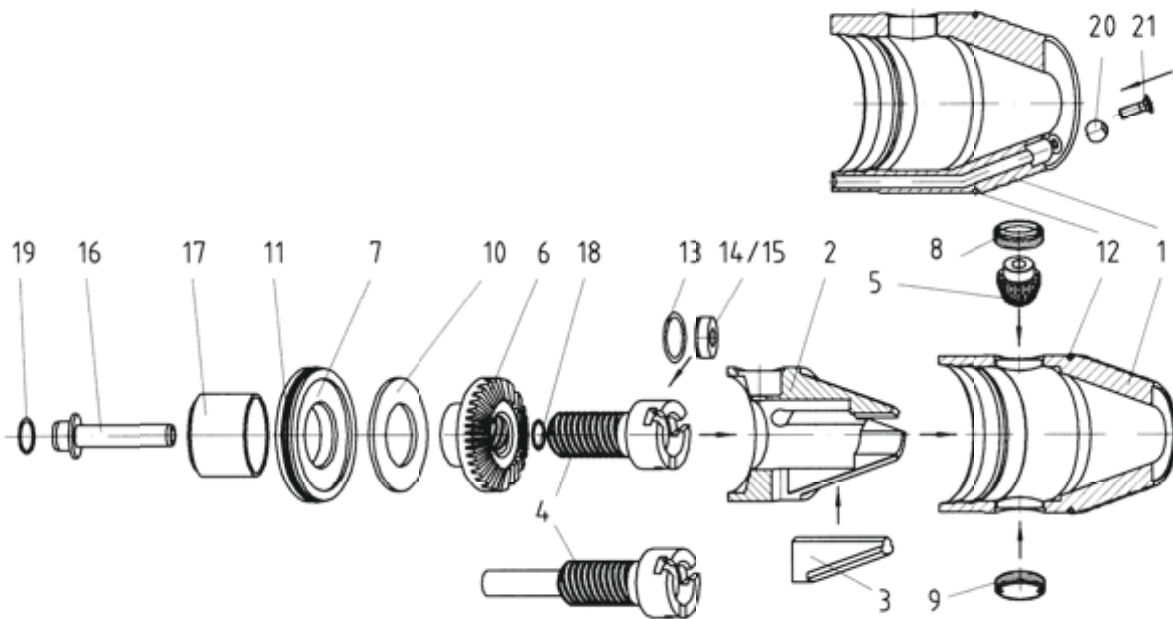
Dimensions in mm.

○ Products not on stock (delivery time on request).

● Available ex stock Germany.

# Spare parts for CNC universal drill chucks

Design WTE 13 ICT



Nr.	Type	Ref. No.	SAP Ref. No.	On stock
1	Shell	89.213.01	30266096	●
2	Spreader cone	89.213.02	30266133	●
3	Clamping jaw (1 Satz = 3 Stück)	89.213.03	30266139	●
4	Spindle	89.213.13	30266112	●
5	Pinion	89.213.05	30266142	●
6	Bevel gear	89.213.06	30266195	●
7	Thrust member	89.213.07	30266165	●
8	Pinion bolt	89.213.08	30266193	●
9	Lid	89.213.09	30266153	●
10	Thrust washer	89.213.10	30266155	●
11	O-Ring 38x1,5	89.213.11	10019664	●
12	O-Ring, red	89.213.39	30346068	●
13	O-Ring 13x1,5	89.213.14	10002538	●
14	Gasket Ø 3-6	89.213.15	30266126	●
15	Gasket Ø 6-13	89.213.16	30266127	●
16	Coolant tube	89.213.29	30266167	●
17	Spacer	89.213.30	30266168	●
18	O-Ring 6 x 1,5	89.213.36	10002608	●
19	O-Ring 8 x 1,5	89.213.20	10015676	●

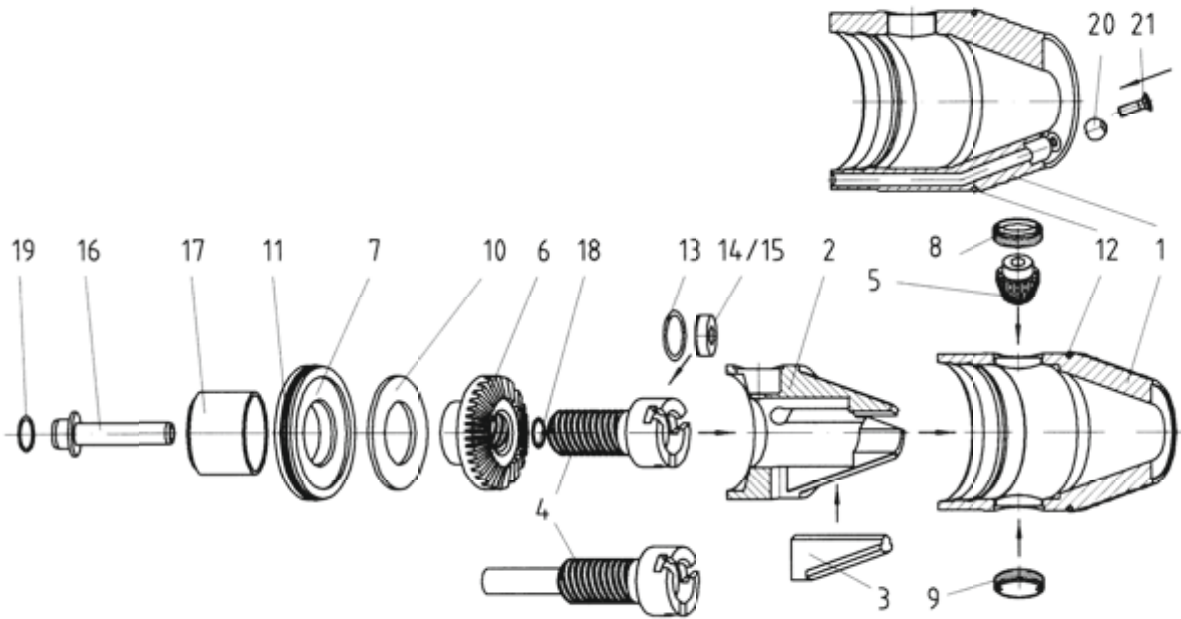
○ Products not on stock (delivery time on request).

● Available ex stock Germany.

Dimensions in mm.

# Spare parts for CNC universal drill chucks

Design WTE 13 VDI



Nr.	Type	Ref. No.	SAP Ref. No.	On stock
1	Shell	89.213.17	30266097	●
2	Spreader cone	89.213.02	30266133	●
3	Clamping jaw (1 Satz = 3 Stück)	89.213.03	30266139	●
4	Spindle	89.213.04	30266111	●
5	Pinion	89.213.05	30266142	●
6	Bevel gear	89.216.06	30266196	●
7	Thrust member	89.213.07	30266165	●
8	Pinion bolt	89.213.08	30266193	●
10	Thrust washer	89.213.10	30266155	●
11	O-Ring 38x1,5	89.213.11	10019664	●
12	O-Ring, red	89.216.12	30269069	●
20	Ball Ø 7	89..213.18	30266163	●
21	Countersink head screw	89..213.19	30336466	●

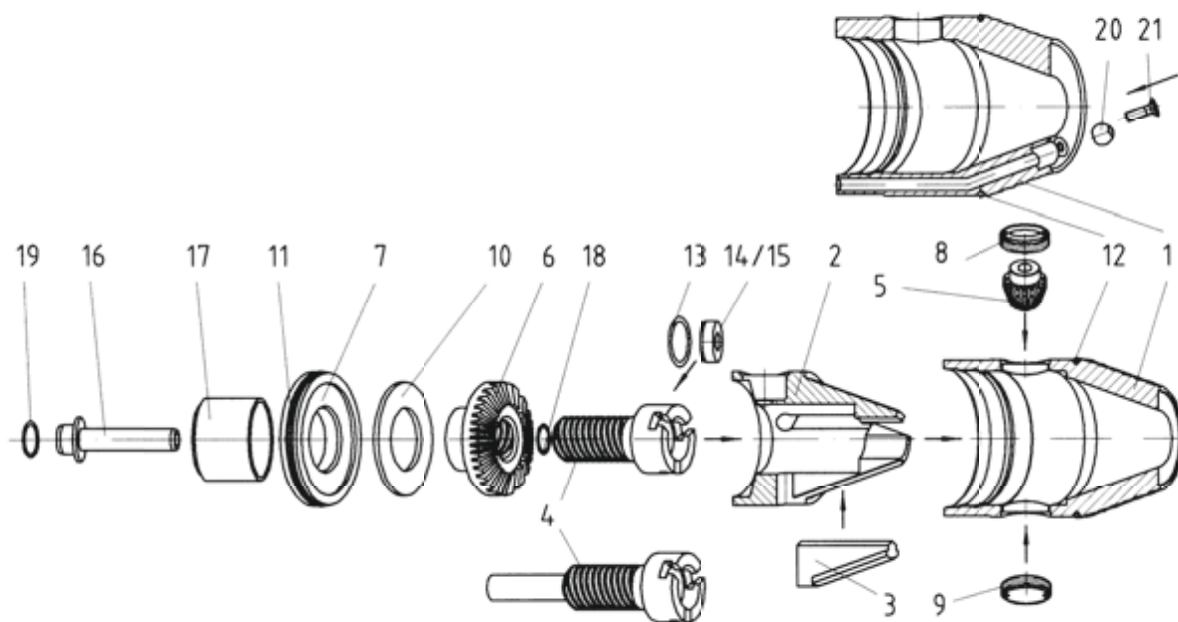
Dimensions in mm.

○ Products not on stock (delivery time on request).

● Available ex stock Germany.

# Spare parts for CNC universal drill chucks

Design WTE 16



Nr.	Type	Ref. No.	SAP Ref. No.	On stock
1	Shell	89.216.72	30266099	●
2	Spreader cone	89.216.71	30266134	●
3	Clamping jaw (1 Satz = 3 Stück)	89.213.03	30266139	●
4	Spindle	89.216.04	30266146	●
5	Pinion	89.216.05	30266143	●
6	Bevel gear	89.216.06	30266196	●
7	Thrust member	89.213.07	30266165	●
8	Pinion bolt	89.213.08	30266193	●
9	Lid	89.213.09	30266153	●
10	Thrust washer	89.213.10	30266155	●
11	O-Ring 38x1,5	89.213.11	10019664	●
12	O-Ring, red	89.216.39	30263595	●

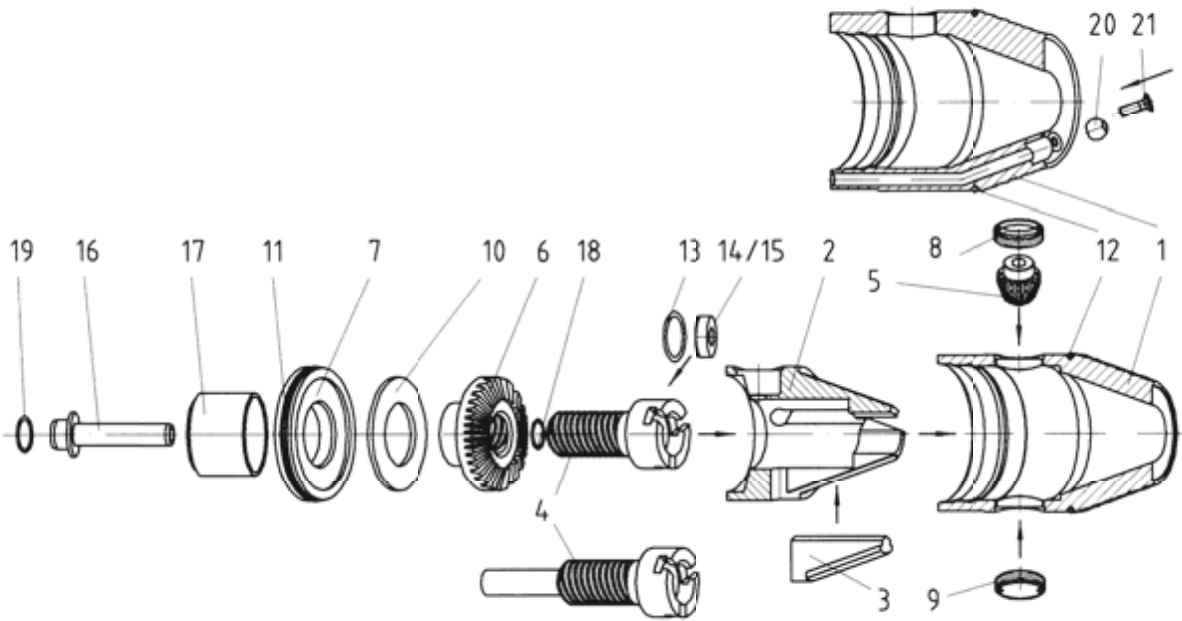
○ Products not on stock (delivery time on request).

● Available ex stock Germany.

Dimensions in mm.

# Spare parts for CNC universal drill chucks

Design WTE 16 IC



Nr.	Type	Ref. No.	SAP Ref. No.	On stock
1	Shell	89.216.72	30266099	●
2	Spreader cone	89.216.71	30266134	●
3	Clamping jaw (1 Satz = 3 Stück)	89.213.03	30266139	●
4	Spindle	89.216.13	30266147	●
5	Pinion	89.216.05	30266143	●
6	Bevel gear	89.216.06	30266196	●
7	Thrust member	89.213.07	30266165	●
8	Pinion bolt	89.213.08	30266193	●
9	Lid	89.213.09	30266153	●
10	Thrust washer	89.213.10	30266155	●
11	O-Ring 38x1,5	89.213.11	10019664	●
12	O-Ring, red	89.216.39	30263595	●
13	O-Ring 16 x 1,5	89.216.14	10002547	●
14	Gasket Ø 3-6	89.216.15	30266128	●
15	Gasket Ø 6-16	89.216.16	30266129	●
19	O-Ring 8 x 1,5	89.213.20	10015676	●

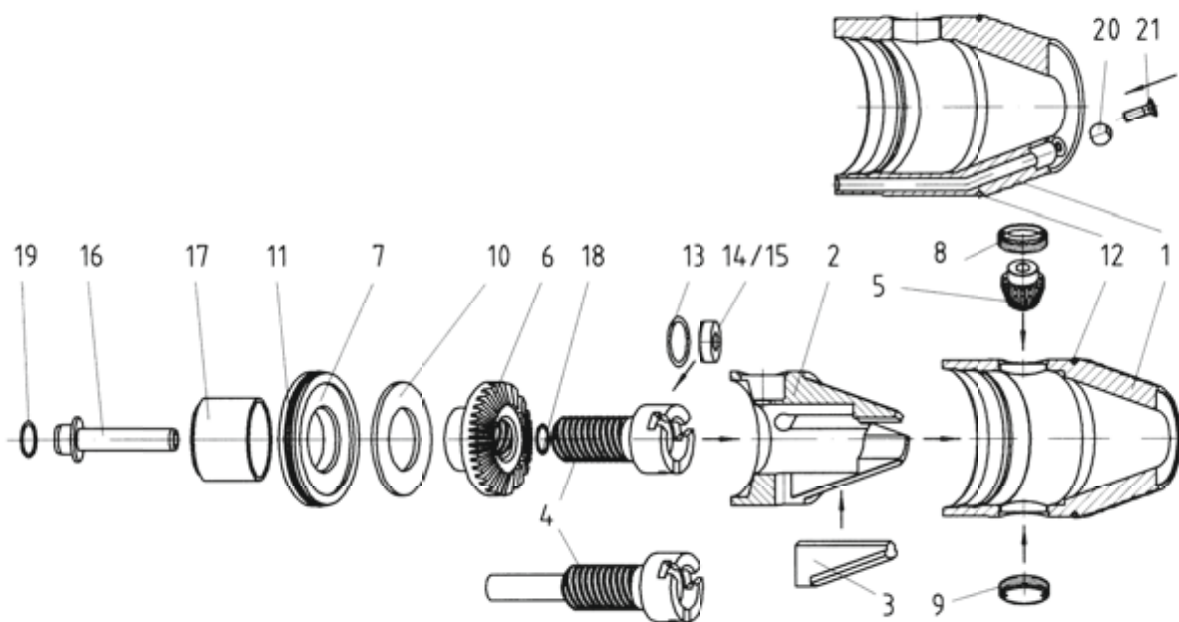
Dimensions in mm.

○ Products not on stock (delivery time on request).

● Available ex stock Germany.

# Spare parts for CNC universal drill chucks

Design WTE 16 ICT



Nr.	Type	Ref. No.	SAP Ref. No.	On stock
1	Shell	89.216.72	30266099	●
2	Spreader cone	89.216.71	30266134	●
3	Clamping jaw (1 Satz = 3 Stück)	89.213.03	30266139	●
4	Spindle	89.216.13	30266147	●
5	Pinion	89.216.05	30266143	●
6	Bevel gear	89.216.06	30266196	●
7	Thrust member	89.213.07	30266165	●
8	Pinion bolt	89.213.08	30266193	●
9	Lid	89.213.09	30266153	●
10	Thrust washer	89.213.10	30266155	●
11	O-Ring 38x1,5	89.213.11	10019664	●
12	O-Ring, red	89.216.39	30263595	●
13	O-Ring 16 x 1,5	89.216.14	10002547	●
14	Gasket Ø 3-6	89.216.15	30266128	●
15	Gasket Ø 6-16	89.216.16	30266129	●
16	Coolant tube	89.213.29	30266167	●
17	Spacer	89.213.30	30266168	●
18	O-Ring 6 x 1.5	89.213.36	10002608	●
19	O-Ring 8 x 1,5	89.213.20	10015676	●

○ Products not on stock (delivery time on request).

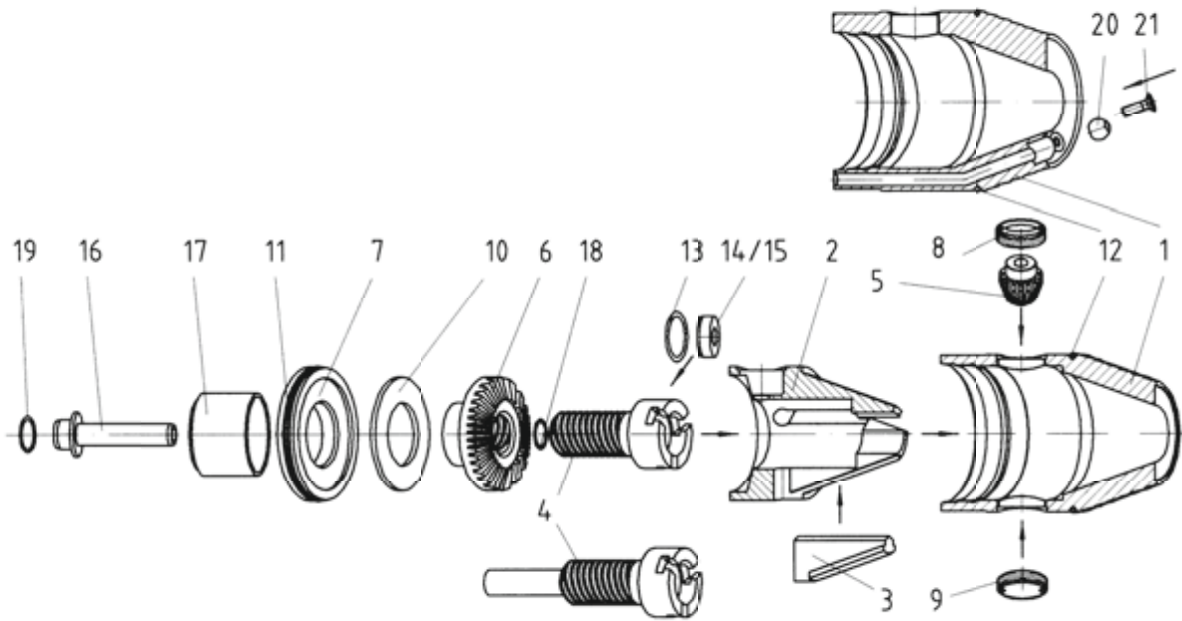
● Available ex stock Germany.

Dimensions in mm.



# Spare parts for CNC universal drill chucks

Design WTE 16 VDI



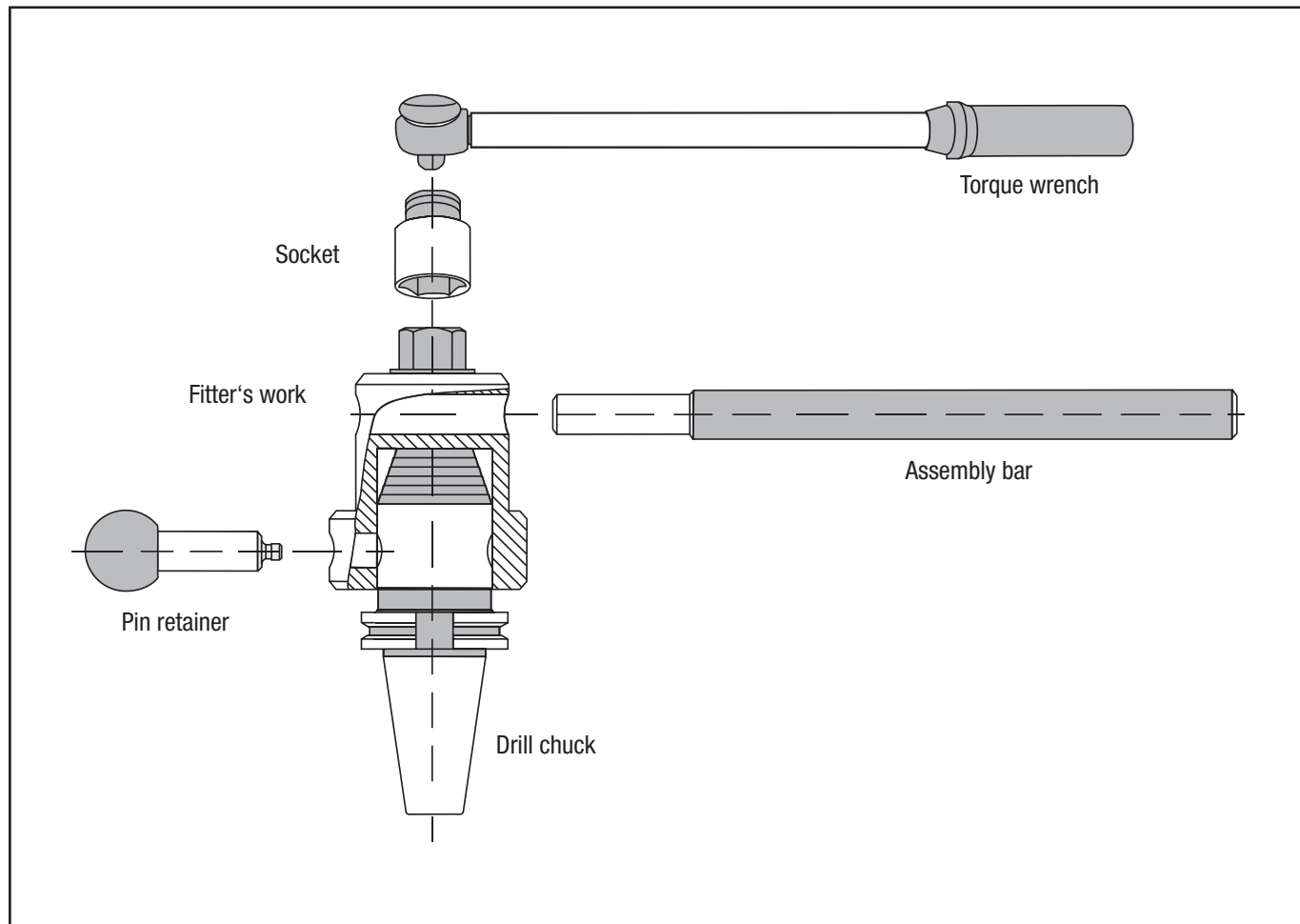
Nr.	Type	Ref. No.	SAP Ref. No.	On stock
1	Shell	89.216.17	30266100	●
2	Spreader cone	89.216.02	30266182	●
3	Clamping jaw (1 Satz = 3 Stück)	89.213.03	30266139	●
4	Spindle	89.216.04	30266146	●
5	Pinion	89.216.05	30266143	●
6	Bevel gear	89.216.06	30266196	●
7	Thrust member	89.213.07	30266165	●
8	Pinion bolt	89.213.08	30266193	●
10	Thrust washer	89.213.10	30266155	●
11	O-Ring 38x1,5	89.213.11	10019664	●
12	O-Ring, red	89.216.12	30269069	●
20	Ball Ø 7	89.213.18	30266163	●
21	Countersink head srew	89.213.19	30336466	●

Dimensions in mm.

○ Products not on stock (delivery time on request).

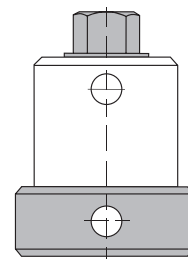
● Available ex stock Germany.

# Assembly tools for CNC universal drill chucks



## Fitter's work

Pin retainer included



No.	Suitable for	Weight kg	Ref. No.	SAP Ref. No.	On stock
1	WTE 08/08 IK	0,3	89.208.22	30266169	●
2	WTE 08 VDI	0,3	89.208.23	30266170	●
3	WTE 13/13 IK/13 IKT	0,4	89.213.23	30266171	●
4	WTE 13 VDI/16/16 IK/16 IKT/16 VDI	0,5	89.216.25	30336487	●

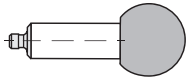
○ Products not on stock (delivery time on request).

● Available ex stock Germany.

Dimensions in mm.

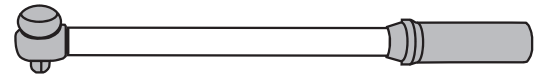
## Pin retainer

For fitter's work



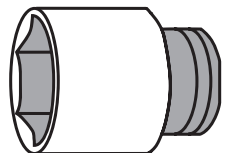
Suitable for	Weight kg	Ref. No.	SAP Ref. No.	On stock
Nr. 1 / Nr. 2	0,3	89.208.26	30336449	●
Nr. 3 / Nr. 4	0,3	89.213.26	30266176	●

## Torque wrench



Torque range	Square drive	Ref. No.	SAP Ref. No.	On stock
20 - 200 Nm	1/2 "	89.208.35	30266178	●

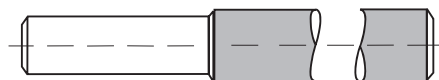
## Socket



Internal hexagon	Square drive	Ref. No.	SAP Ref. No.	On stock
SW 19	1/2 "	89.208.34	30266180	●

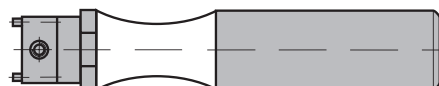
## Assembly bar

Suitable for all versions of fitter's work



Weight kg	Ref. No.	SAP Ref. No.	On stock
1,0	89.208.30	30266181	●

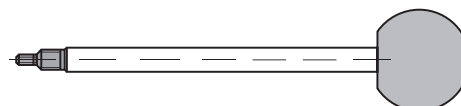
## Screwdriver for pinion



WTE Design	Weight kg	Ref. No.	SAP Ref. No.	On stock
WTE 08	0,04	89.208.24	30266182	●
WTE 13 / 16	0,04	89.213.21	30266183	●

## Assembly tool

For gasket



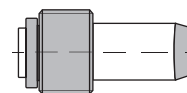
WTE Design	Weight kg	Ref. No.	SAP Ref. No.	On stock
WTE 08	0,03	89.208.44	30266184	●
WTE 13 / 16	0,03	89.213.44	30336476	●

○ Products not on stock (delivery time on request).

● Available ex stock Germany.

## Coolant tube

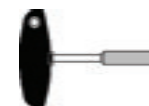
For DIN 69893-A/E



HSK	Weight kg	Ref. No.	SAP Ref. No.	On stock
32	0,01	89.220.72	30326003	○
40	0,01	89.220.73	30326004	○
50	0,02	89.220.74	30326005	●
63	0,02	89.220.75	30326006	●
80	0,02	89.220.76	30326007	○
100	0,03	89.220.77	30326008	○

## Socket wrench

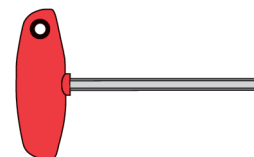
For coolant tube



SW	Weight kg	Ref. No.	SAP Ref. No.	On stock
32	0,01	89.206.20	30336671	○
40	0,01	89.206.21	30336672	○
50	0,01	89.206.22	30336673	○
63	0,01	89.206.23	30336675	●
80	0,02	89.206.24	10074774	○
100	0,02	89.206.25	30336676	○

## Allen „T“-Wrench

For axial length adjustment



SW	l	Weight kg	Ref. No.	SAP Ref. No.	On stock
2,5	150	0,02	89.206.01	10034540	●
3	150	0,02	89.206.02	10013347	●
5	150	0,06	89.206.03	10041807	●
8	150	0,1	89.206.04	10041808	●

Dimensions in mm.

○ Products not on stock (delivery time on request).

● Available ex stock Germany.





## NC standard drill chucks

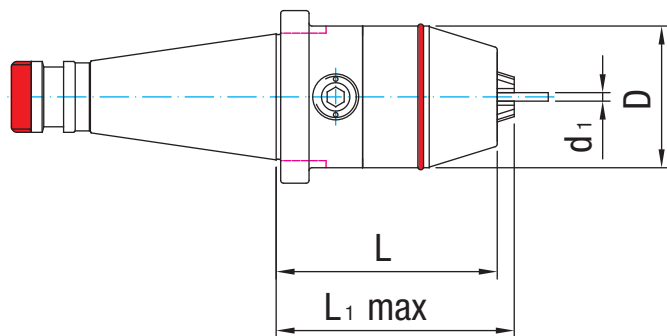
Shank type ISO 40	Page	202-203
Shank type BT 40	Page	204
Spare parts and accessories	Page	205-206

# NC standard drill chuck DIN 2080, Form A



## Quality characteristics:

- Clamping in two different ranges
- Clockwise and counterclockwise rotation
- Slim design



Nominal size ISO	WTE Design	Clamping range $d_1$	Dimensions			Weight kg	Ref. No.	SAP Ref. No.	On stock
			D	L	L <sub>1</sub> max				
40	WTE 13	0,5 - 13	50	78	84	1,5	10.297.40.13	30342426	●
40	WTE 16	2,5 - 16	57	78	86	1,7	10.297.40.16	30342427	●

Dimensions in mm.

Spare parts and accessories at the end of this chapter. Special versions on request.

○ Products not on stock (delivery time on request).

● Available ex stock Germany.

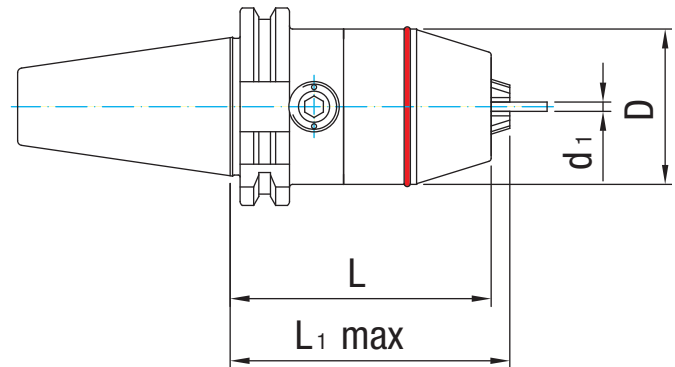


# NC standard drill chuck DIN 69871-A



## Quality characteristics:

- Clamping in two different ranges
- Clockwise and counterclockwise rotation
- Slim design



Nominal size ISO	WTE Design	Clamping range $d_1$	Dimensions			Weight kg	Ref. No.	SAP Ref. No.	On stock
			D	L	L <sub>1</sub> max				
40	WTE 13	0,5 - 13	50	84	90	1,5	11.297.40.13	30342428	●
40	WTE 16	2,5 - 16	57	84	92	1,7	11.297.40.16	30342429	●

Dimensions in mm.

Spare parts and accessories at the end of this chapter. Special versions on request.

○ Products not on stock (delivery time on request).

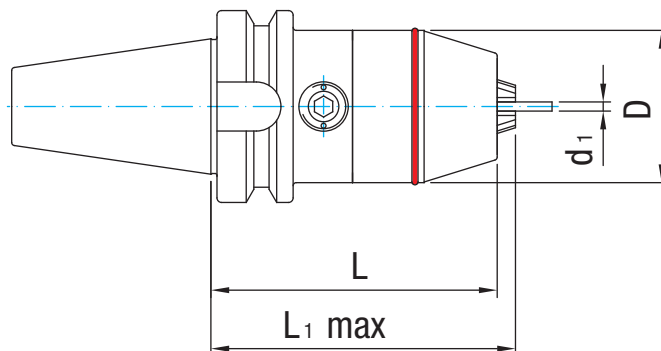
● Available ex stock Germany.

# NC standard drill chuck JIS 6339, Form A



## Quality characteristics:

- Clamping in two different ranges
- Clockwise and counterclockwise rotation
- Slim design



Nominal size ISO	WTE Design	Clamping range $d_1$	Dimensions			Weight kg	Ref. No.	SAP Ref. No.	On stock
			D	L	L <sub>1</sub> max				
40	WTE 13	0,5 - 13	50	94	100	1,8	20.297.40.13	30342430	●
40	WTE 16	2,5 - 16	57	94	102	2,0	20.297.40.16	30342431	●

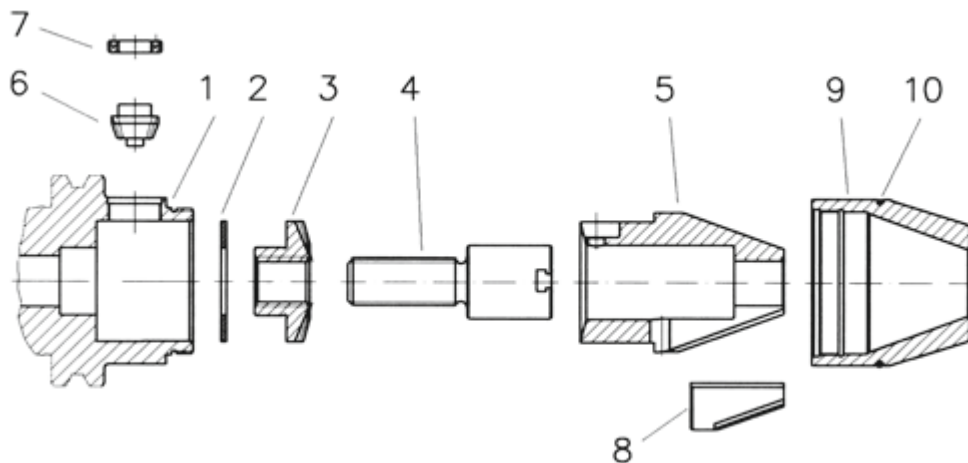
Dimensions in mm.

Spare parts and accessories at the end of this chapter. Special versions on request.

○ Products not on stock (delivery time on request).

● Available ex stock Germany.

## Spare parts for NC standard drill chucks



Design WTE 13

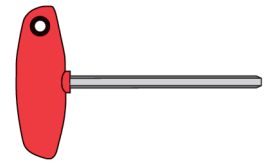
Nr.	Type	Ref. No.	SAP Ref. No.	On stock
2	Thrust washer	89.213.10	30266155	●
3	Bevel gear	89.213.06	30266195	●
4	Spindle	89.213.103	30336465	●
5	Spreader cone	89.213.101	30336463	●
6	Pinion	89.213.102	30336464	●
7	Pinion screw	89.213.08	30266193	●
8	Clamping jaw (1 Satz = 3 Stück)	89.213.03	30266139	●
9	Shell	89.213.100	30336462	●
10	O-Ring, red	89.213.39	30346068	●

Design WTE 16

Nr.	Type	Ref. No.	SAP Ref. No.	On stock
2	Thrust washer	89.213.10	30266155	●
3	Bevel gear	89.213.06	30266195	●
4	Spindle	89.216.103	30336485	●
5	Spreader cone	89.216.101	30336484	●
6	Pinion	89.213.102	30336464	●
7	Pinion screw	89.213.08	30266193	●
8	Clamping jaw (1 Satz = 3 Stück)	89.213.03	30266139	●
9	Shell	89.216.100	30336483	●
10	O-Ring, red	89.216.39	30263595	●

# Allen „T“-Wrench

For axial length adjustment



SW	l	Weight kg	Ref. No.	SAP Ref. No.	On stock
2,5	150	0,02	89.206.01	10034540	●
3	150	0,02	89.206.02	10013347	●
5	150	0,06	89.206.03	10041807	●
8	150	0,1	89.206.04	10041808	●

**Notes:**





## Precision micro drill chucks

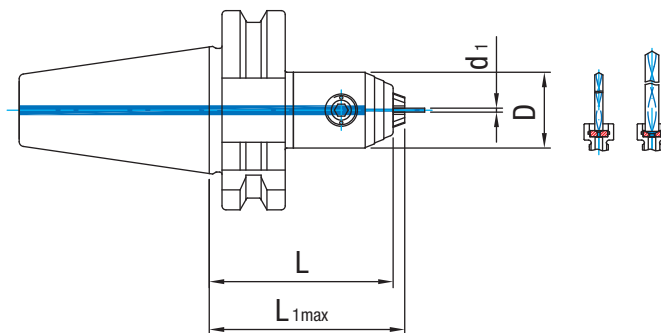
Shank type ISO 30	Page	210
Shank type HSK-A 32	Page	211
Shank type HSK-A 40	Page	212
Shank type HSK-A 50	Page	213
Shank type HSK-E 25	Page	214
Shank type HSK-E 32	Page	215
Shank type HSK-E 40	Page	216
Shank type BT 30	Page	217
Spare parts and accessories	Page	218-219

# Precision micro drill chuck DIN 69871-AD



## Quality characteristics:

- rpm range up to 60.000 min<sup>-1</sup>
- Clamping range from 0,2 mm to 3,4 mm
- Very high holding forces
- High transferable torque
- Different shank types available



Nominal size ISO	WTE Design	Clamping range d <sub>1</sub>	Dimensions			Weight kg	Ref. No.	SAP Ref. No.	On stock
			D	L	L <sub>1 max</sub>				
30	WTE 03	0,2-3,4	19	45	48	0,41	15.236.30.03.Z	30439744	●

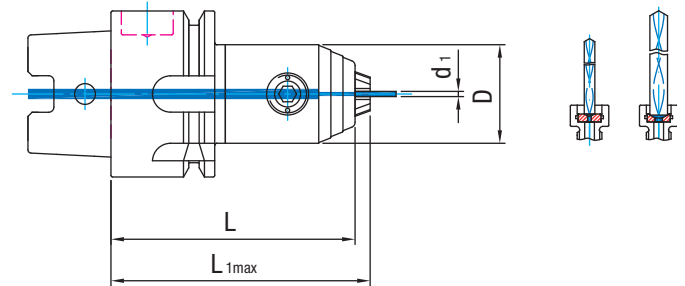


# Precision micro drill chuck DIN 69893-A



## Quality characteristics:

- rpm range up to 60.000 min<sup>-1</sup>
- Clamping range from 0,2 mm to 3,4 mm
- Very high holding forces
- High transferable torque
- Different shank types available



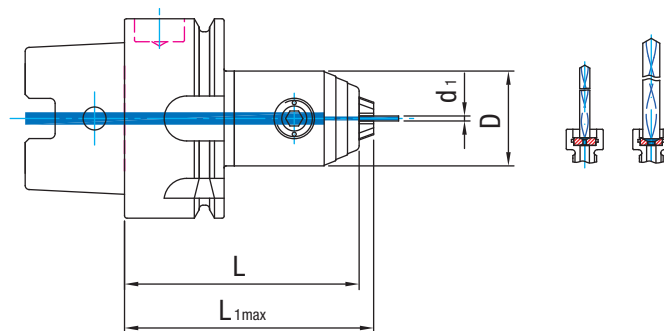
Nominal size HSK-A	WTE Design	Clamping range d <sub>1</sub>	Dimensions			Weight kg	Ref. No.	SAP Ref. No.	On stock
			D	L	L <sub>1 max</sub>				
32	WTE 03	0,2-3,4	19	46	49	0,16	16.236.32.03.Z	30439728	●

# Precision micro drill chuck DIN 69893-A

DIN 69893	Form A			
--------------	-----------	--	--	--

## Quality characteristics:

- rpm range up to 60.000 min<sup>-1</sup>
- Clamping range from 0,2 mm to 3,4 mm
- Very high holding forces
- High transferable torque
- Different shank types available



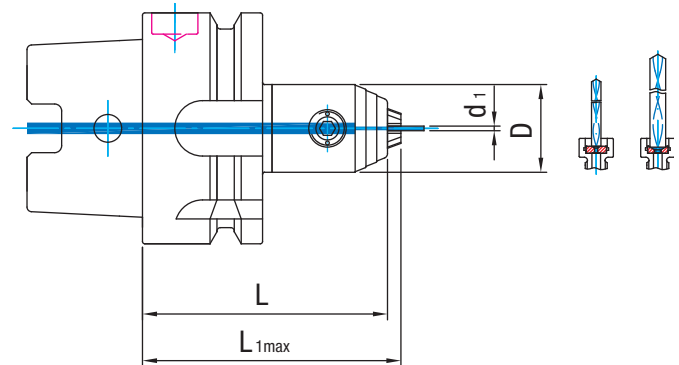
Nominal size HSK-A	WTE Design	Clamping range d <sub>1</sub>	Dimensions			Weight kg	Ref. No.	SAP Ref. No.	On stock
			D	L	L <sub>1 max</sub>				
40	WTE 03	0,2-3,4	19	46	49	0,24	16.236.40.03.Z	30439736	●

# Precision micro drill chuck DIN 69893-A



## Quality characteristics:

- rpm range up to 60.000 min<sup>-1</sup>
- Clamping range from 0,2 mm to 3,4 mm
- Very high holding forces
- High transferable torque
- Different shank types available



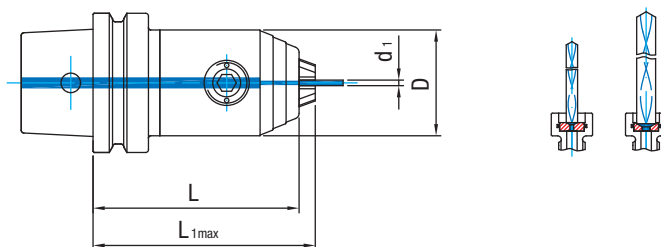
Nominal size HSK-A	WTE Design	Clamping range d <sub>1</sub>	Dimensions			Weight kg	Ref. No.	SAP Ref. No.	On stock
			D	L	L <sub>1 max</sub>				
50	WTE 03	0,2-3,4	19	52	55	0,43	16.236.50.03.Z	30439739	●

# Precision micro drill chuck DIN 69893-E



## Quality characteristics:

- rpm range up to 60.000 min<sup>-1</sup>
- Clamping range from 0,2 mm to 3,4 mm
- Very high holding forces
- High transferable torque
- Different shank types available



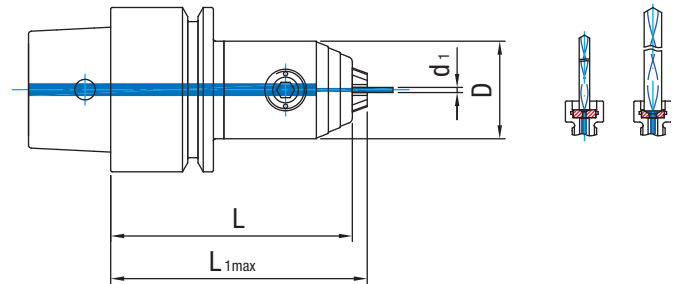
Nominal size HSK-E	WTE Design	Clamping range d <sub>1</sub>	Dimensions			Weight kg	Ref. No.	SAP Ref. No.	On stock
			D	L	L <sub>1</sub> max				
25	WTE 03	0,2-3,4	19	37	40	0,1	18.236.25.03.Z	30439663	●

# Precision micro drill chuck DIN 69893-E



## Quality characteristics:

- rpm range up to 60.000 min<sup>-1</sup>
- Clamping range from 0,2 mm to 3,4 mm
- Very high holding forces
- High transferable torque
- Different shank types available



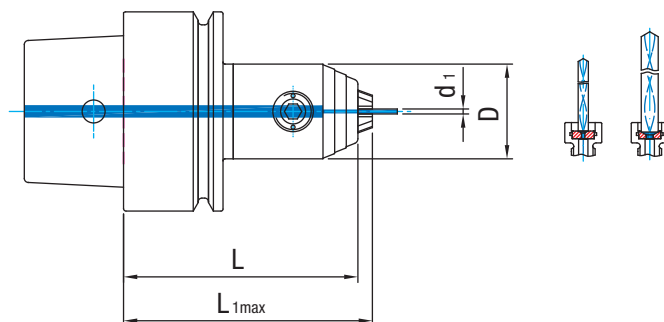
Nominal size HSK-E	WTE Design	Clamping range d <sub>1</sub>	Dimensions			Weight kg	Ref. No.	SAP Ref. No.	On stock
			D	L	L <sub>1 max</sub>				
32	WTE 03	0,2-3,4	19	46	49	0,17	18.236.32.03.Z	30439686	●

# Precision micro drill chuck DIN 69893-E

DIN 69893	Form E			
--------------	-----------	--	--	--

## Quality characteristics:

- rpm range up to 60.000 min<sup>-1</sup>
- Clamping range from 0,2 mm to 3,4 mm
- Very high holding forces
- High transferable torque
- Different shank types available



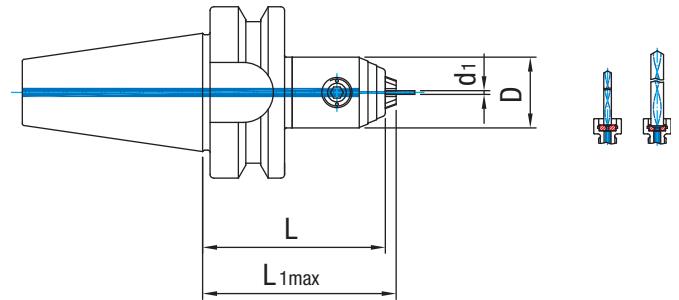
Nominal size HSK-E	WTE Design	Clamping range d <sub>1</sub>	Dimensions			Weight kg	Ref. No.	SAP Ref. No.	On stock
			D	L	L <sub>1 max</sub>				
40	WTE 03	0,2-3,4	19	46	49	0,25	18.236.40.03.Z	30439722	●

# Precision micro drill chuck JIS 6339, Form AD



## Quality characteristics:

- rpm range up to 60.000 min<sup>-1</sup>
- Clamping range from 0,2 mm to 3,4 mm
- Very high holding forces
- High transferable torque
- Different shank types available



Nominal size BT	WTE Design	Clamping range d <sub>1</sub>	Dimensions			Weight kg	Ref. No.	SAP Ref. No.	On stock
			D	L	L <sub>1 max</sub>				
30	WTE 03	0,2-3,4	19	48	51	0,47	22.236.30.03.Z	30439751	●

# Clamping tool extension

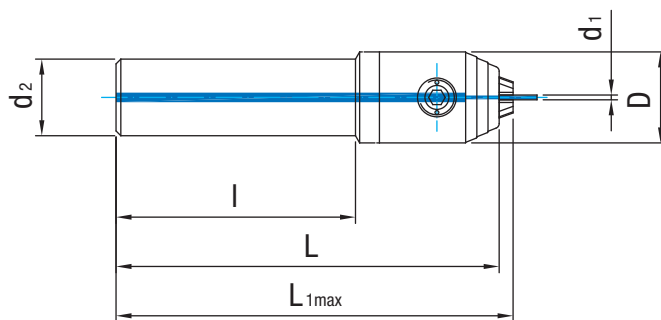
Diameter 16 mm, for WTE-Norm 03

DIN  
69893

Form  
A

## Quality characteristics:

- rpm range up to 60.000 min<sup>-1</sup>
- Clamping range from 0,2 mm to 3,4 mm
- Very high holding forces
- High transferable torque
- Different shank types available



Nominal size WV	WTE Design	Clamping range $d_1$	Dimensions					Weight kg	Ref. No.	SAP Ref. No.	On stock
			D	$d_2$	L	$L_{1max}$	I				
16	WTE 03	0,2-3,4	16	19	80	83	50	0,13	40.257.16.03.Z	30439821	●
16	WTE 03	0,2-3,4	16	19	100	103	70	0,16	40.257.16.03.Z/100	30439832	●
16	WTE 03	0,2-3,4	16	19	160	163	130	0,26	40.257.16.03.Z/160	30439837	●



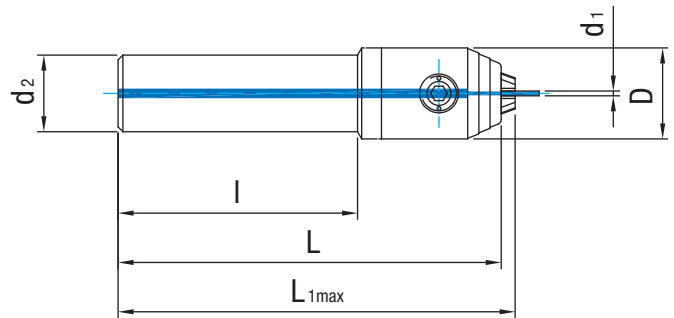
# Clamping tool extension

Diameter 20 mm, for WTE-Norm 03

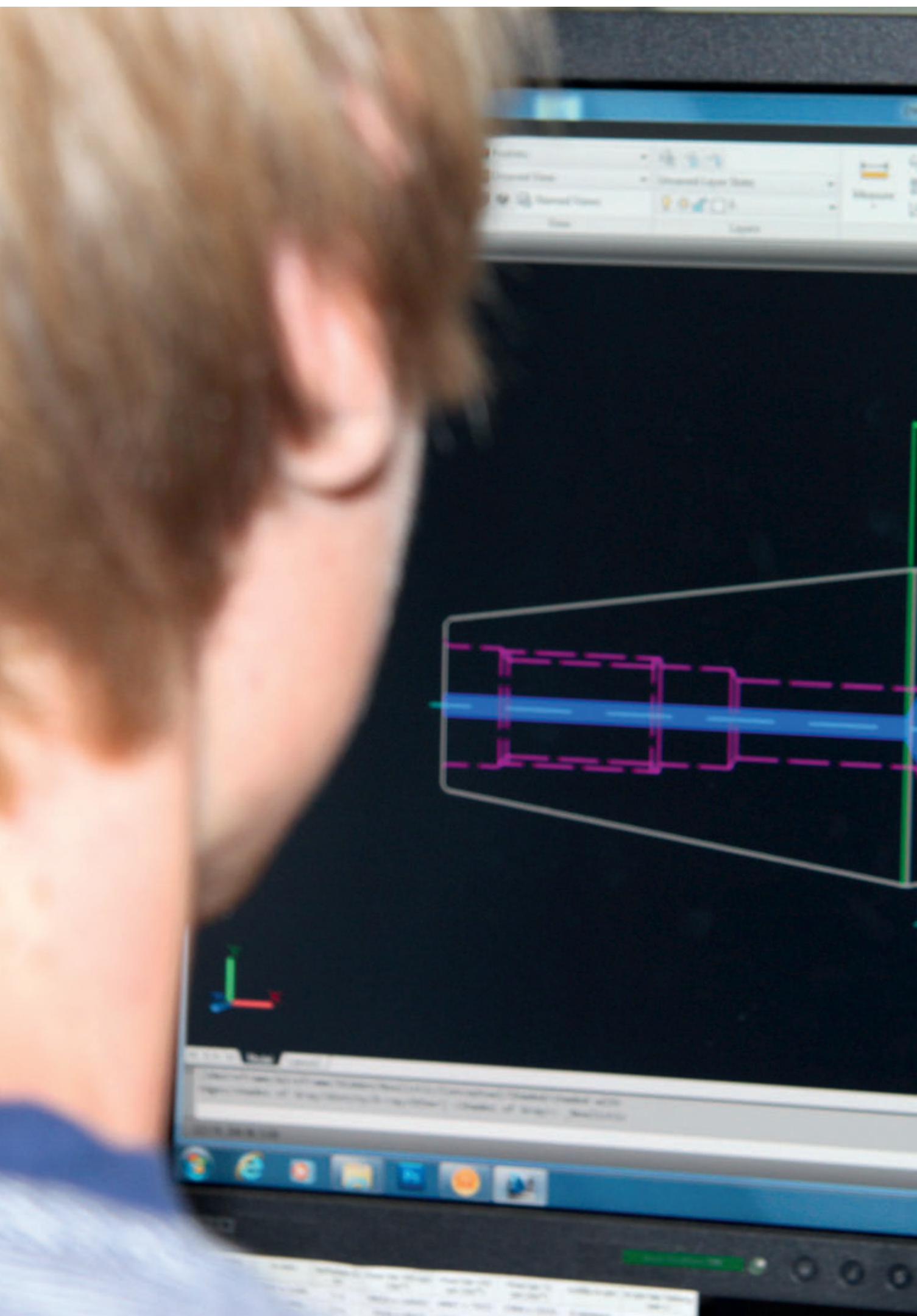


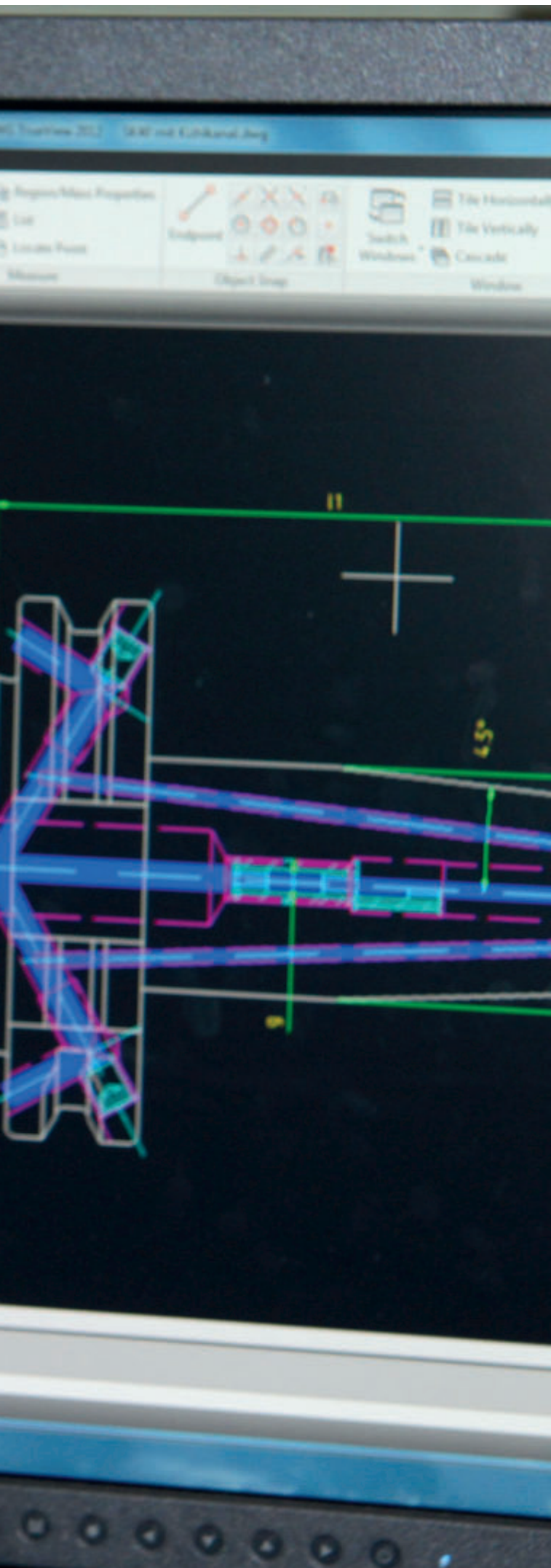
## Quality characteristics:

- rpm range up to 60.000 min<sup>-1</sup>
- Clamping range from 0,2 mm to 3,4 mm
- Very high holding forces
- High transferable torque
- Different shank types available



Nominal size WV	WTE Design	Clamping range d <sub>1</sub>	Dimensions					Weight kg	Ref. No.	SAP Ref. No.	On stock
			D	d <sub>2</sub>	L	L <sub>1 max</sub>	l				
20	WTE 03	0,2-3,4	20	19	80	83	52	0,17	40.257.20.03.Z	30439755	●
20	WTE 03	0,2-3,4	20	19	100	103	72	0,21	40.257.20.03.Z/100	30439758	●
20	WTE 03	0,2-3,4	20	19	160	163	132	0,36	40.257.20.03.Z/160	30439763	●





## Technical information

In the following chapter you will find technical information about our products and their operational elements. In addition to the basic information of the particular product lines will be given important information regarding maintenance or technical service. Further more you will receive information concerning handling, functional principles and our products application range.

## Utilization of hydraulic clamping technology



Hydraulic chuck with axial or radial length adjustment for metal and wood processing machines with rotating cutting tools.

Types for automatic tool change:

- DIN 69871
- DIN 69893-A
- DIN 69893-F
- DIN 69893-E
- JIS B6339 MAS BT

Types for manual tool change:

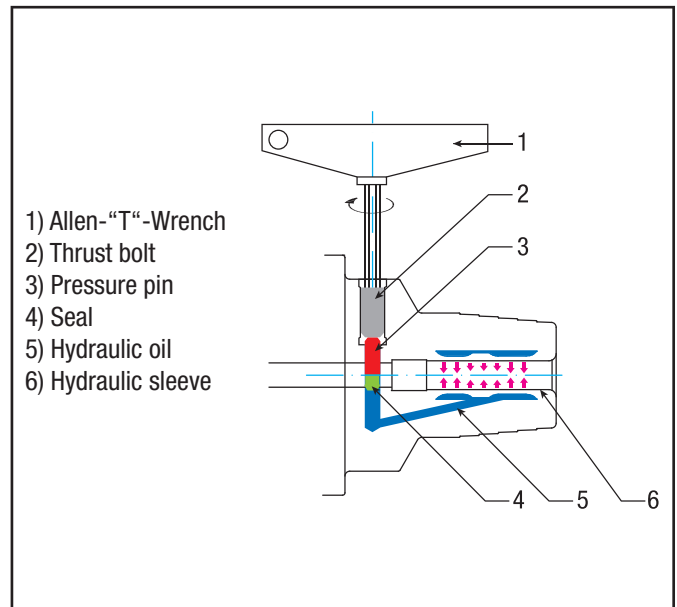
- DIN 69893-C

## Advantages of the hydraulic clamping technology

- Tool change in shortest time
- High accuracy of cycling running
- Vibration damped tool clamping
- Increase of tool life
- Decrease of micro blowouts at the tool cutting edge
- Improvement of the surface quality
- Flexibility using reducing sleeves
- Low maintenance efforts because of the closed clamping system
- Easy handling
- High transferable torque
- Design according to DIN 69882-7
- High degree of positioning and repetition accuracy
- Tool clamping with highest degree of cycling running (max. 3 µm)
- Continuous improvement
- Certified production according to DIN EN ISO 9001:2000

## Components and operating mode of hydraulic clamping technologies

1. The thrust bolt (2) is screwed into the stop using an Allen-„T“ Wrench or a hex wrench.
2. The pressure pin presses the hydraulic medium into the expansion chamber and that causes the increase of the pressure inside.
3. The thin-walled expanding sleeve bows evenly against the tool shank.
4. Due to this clamping process the tool shank is first centered and then powerfully clamped over a large area.
5. The special sealing element ensures absolute freedom from leaks and a long service life.





## Safe clamping / Maintenance

With each clamping procedure according to the WTE operating instructions the safe function of the hydraulic chuck WTE is tested. If a deviation arises the safe transferable torques can not be achieved and the chuck has to be checked by our repair service. Do not clamp the hydraulic chuck without a tool.

Clean the tool shaft and the clamping bore (free from grease) and check them for damage (do not use damaged components).

Depending on the environmental conditions it may be necessary to adjust cleaning and lubrication of the adjustment screw. Before using clean mounting bore and taper.

Protect the hydraulic chuck against corrosion before storing. Stock in unclamped position.



### NEW: Radial length adjustment

- Length adjustment to the micron due to the compact setting gear
- Position of the tool not changed by inherent weight or axial force due to the self-locking adjustment screw
- 10 mm adjustment path for all clamping diameters with adjustment stop screw at the rear
- Insensitive to soiling
- Solid mechanism
- Coolant seal up to 100 bar
- Easy to use and reliable

## Utilization of WTE drill chuck technologies



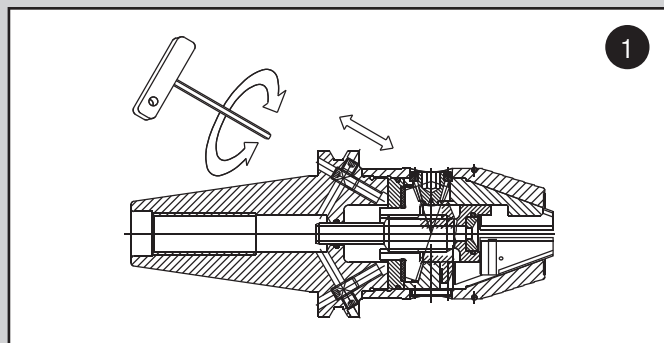
The CNC universal drill chuck „WTE Präzision“ unifies mechanical functions as well as easy handling in an outstanding progressive technology.

Precision demanded by engineers, technology departments and industry is performed by an improved precision of cyclic running and substantially higher tension. Clamping security, independent of rotation direction, brief clamping and preparation periods, very short construction and high rpms are the most striking characteristics. Standard is set by precise manufacturing and the unique WTE design.

Depending on the individual type of application, our drill chucks are suitable for dry processing without coolant supply or for wet processing with internal coolant supply respectively with coolant supply via tool lap.

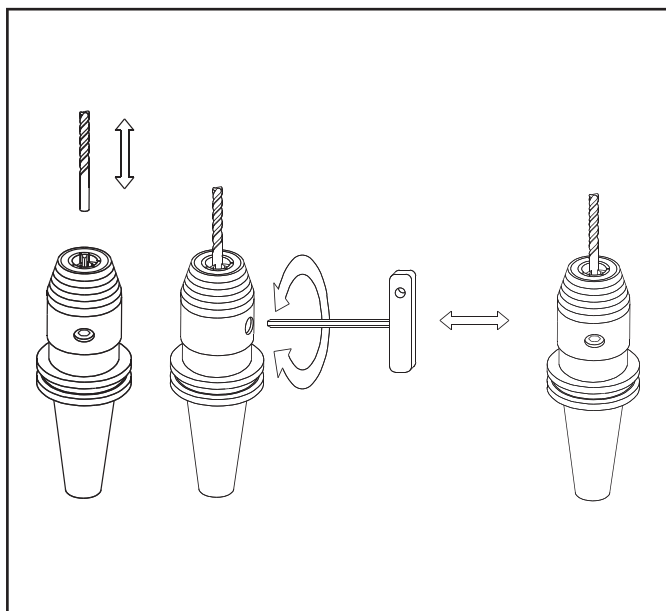
## Advantages of our CNC universal drill chucks and our NC standard drill chucks

- Reliable mechanical function
- Easy handling
- Clamping security, independent of rotation direction
- Short clamping and re-tooling
- Short design
- With our special modular designed WTE-Interface our drill chucks are available with the most commercial shank types.
- High transferable torques



To adapt the drill chuck from the basic form to “Form B”, the set screws have to be turned from their basic position into the borehole “B” by means of an Allen-“T“-Wrench SW 2,5.

## Components and operating mode of WTE drill chucks



1. Open the jaw of the drill chuck wide enough to insert the cutting tool.
2. Fit cutting tool to the stud into the CNC universal drill chuck so that the tool shank is fit closely to the whole length of the clamping jaws.
3. Turn the Allen-“T“-Wrench clockwise to clamp the cutting tool using the torque mentioned in the table to clamp the tool properly. Do not use any kind of extensions for clamping. By using a torque higher than mentioned in our table the bevel gear can be damaged. In this case the bevel pinion will be the rated break point to protect the drill chuck against damage.
4. Test the concentricity after clamping and make sure that the tool is clamped safely. Now the CNC universal drill chuck is ready for work and can be clamped into the machine spindle.

Note: Do not clamp the tool with tapered shafts.

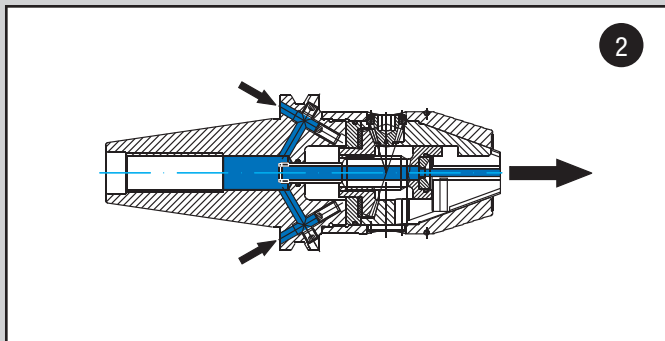
## Safe clamping / Maintenance

The CNC universal drill chuck is clamped by means of an Allen-“T“-Wrench on side of the drill chuck actuating a bevel gear. Turn the Allen-“T“-Wrench counterclockwise to open the drill chuck, clockwise to close it - shown at the bore of the bevel pinion.

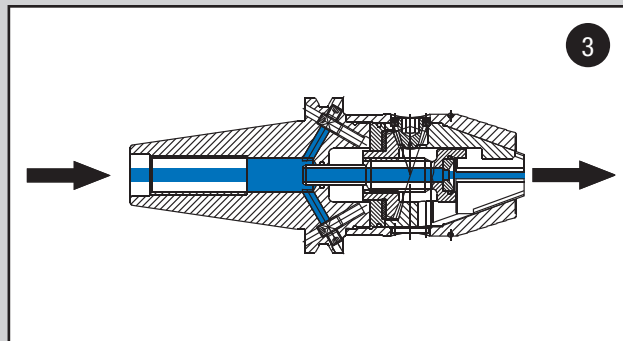
A step-by-step guide you can find in the official users manual for each drill chuck. The CNC universal drill chucks are maintenance-free. The drill chucks should be cleaned after use with a clean cloth to prevent corrosion. Before storing the drill chucks please spray oil on the surface to prevent corrosion.

**Note:**

**Do not use compressed air to clean the drill chucks because fine chips could get into the clamping mechanism. Do not use any kind of solvent for cleaning because this could cause corrosion.**



Consequently the set screws open the coolant supply through borehole “B” whereas the coolant feed from the machine is sealed by the pull stud.



Adapting the CNC universal drill chuck to “Form AD” again the set screws have to be turned back to its basic position. Consequently the borehole “B” is blocked. The coolant feed from the machine is guaranteed by using a clamping bolt with a borehole.

## Utilization of WTE shrinking technologies



Our shrink fit chucks with axial length adjustment are used for metal and wood processing machines with rotating and static cutting tools. Shrinking technology makes use of thermally-related expansion for tool clamping. The application range of our tools goes for processes like milling, heavy-duty metal cutting, HSC milling, drilling, reaming, turning, wood machining or internal grinding. The WTE shrink fit chucks are produced with central coolant supply. If necessary we can offer you shrink fit chucks with additional coolant supply through the collar. The coolant supply is performed then additionally by two diagonally bored cooling ducts.

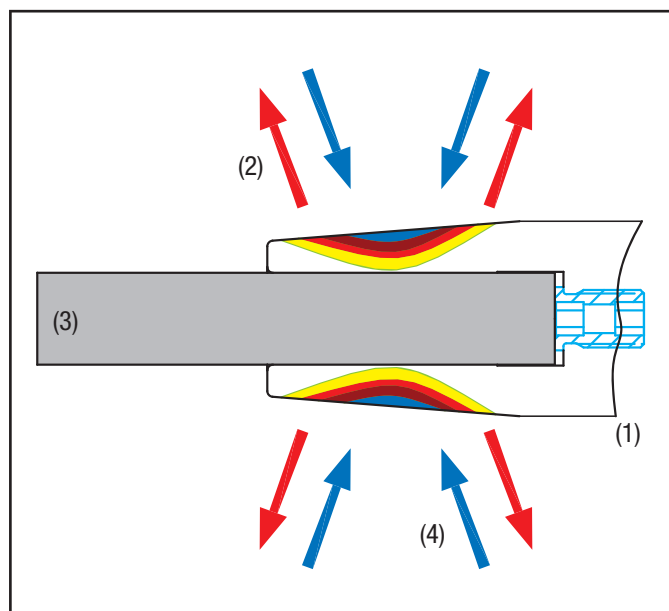
For automatic tool change our shrink fit chucks are available according to DIN 69871, DIN 69893-A, DIN 69893-E, DIN 69893-F und JIS B6339 MAS BT.

For manual tool change we offer a version according to DIN 69893-C.

## Advantages of the WTE Shrink fit chucks

- Simple construction of the tool holder
- High accuracy of cyclic running
- Secure power transmission
- Slim construction
- Economical
- High transferable torque
- Using high-strength hot forming tool steel guarantees a long operating life and heat resistance
- Free of distortion due to optimum heat treatment
- Optimal balancing quality
- Design according to DIN 69882-8
- High degree of positioning and repeatability
- Highest degree of cyclic running guaranteed – max. 3 µm
- Laser inscription for secure product traceability
- Continuous improvement and repair service
- Certified production according to DIN EN ISO 9001:2008
- Shrinking system with a high degree of flexibility using WTE shrink extensions
- Adjustment screw can be adjusted from two sides

## Components and operating mode of WTE Shrink fit chucks



As the induction coil heats the shrink fit chuck, the chuck expands and the cool tool shank can be inserted. When the shrink fit chuck is cooled down again it contracts and forms a connection with force closure due to the oversize on the tool shank.

1. The chuck (1) is heated specifically at the clamping point, using the latest induction technologies. For this purpose an induction coil generates quickly eddy currents, that act directly on the shrink chuck and heat exactly in the place where the tool shank is placed. The diameter of the bore expands (2).
2. The cold tool shank is inserted in the heated shrink chuck (3).
3. The shrink chuck is cooled (4), the clamping diameter returns to its original size and clamps the tool shank. A powerful device with water-cooled cooling elements makes it possible to cool the chuck within 30 seconds. As a consequence, there is no heating of the taper or the data chip.



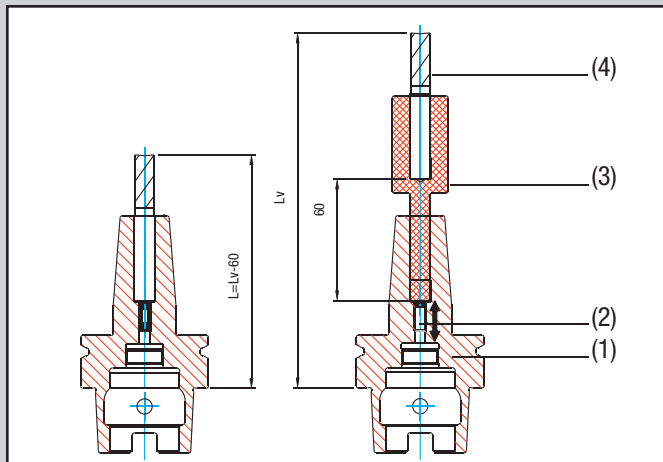
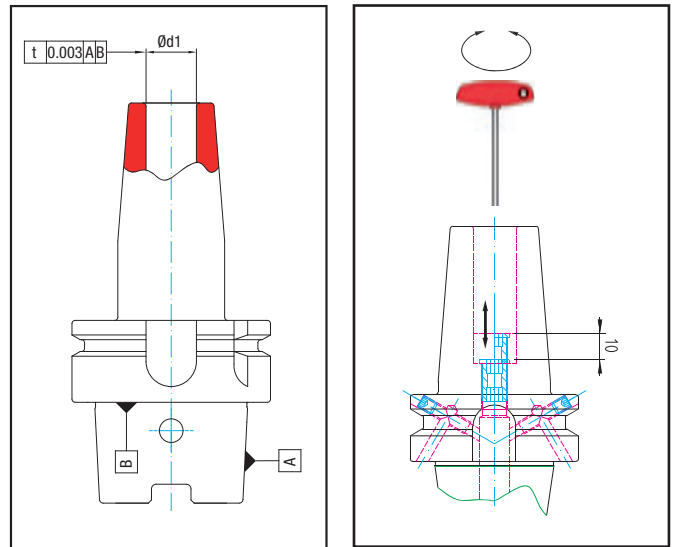
## Safe clamping / Length adjustment

The WTE shrink fit chucks are designed for the transfer of high transferable torques (holding forces). This can be achieved because of the optimal on the material and the WTE shrink units adapted clamping bores and shrink fitting lengths.

The length is adjusted on the WTE shrink fit chucks above a clamping diameter of 6 mm via an adjustment screw with hex. socket at both ends. There is a hole drilled through the middle of the screw for the internal coolant supply.

The length adjustment can be made from both sides. All WTE shrink fit chucks (from clamping diameter 6 on) can be adjusted within a range of 0 to 10.

Without use of the set screw it is possible to do stepless shrinking - unlimited clamping range.



## Axial length adjustment

1. Before the shrinking process, please insert the tool (4) into the WTE pre-setting adapter (3) and fit it together with the WTE shrink fit chuck (1) with WTE set screw (2).

2. Now you can regulate the length by turning the adapter which will set the set screw to the requested length.

The requested length (L) after the shrinking process results of the pre-setting length ( $L_v$ ) as follows:  $L = L_v - 60 \text{ mm}$

3. Please take out the adapter and shrink in the tool. The tool has to be placed upon the set screw.

## Services

### Balancing quality

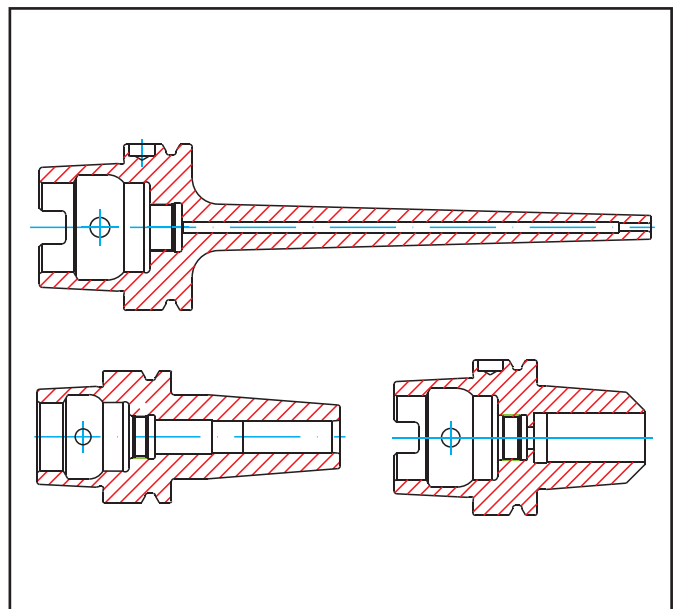
Each WTE shrink fit chuck is balanced according to the figures mentioned in the article description. If another balancing quality is necessary we can also balance the chuck according to your demands.

### Special shrink fit chucks with special dimensions

As we do have a long experience in the development, construction and production of shrink chucks, we can develop shrink fit chucks according to special demands. We look forward to receiving your inquiries.

### Shrink fit chuck - heavy version

For induction shrink units with 20 KVA on request.



## Utilization of WTE Micro drill chucks



Micro drill chucks have been specially developed to clamp small diameters. Clamping with shrinking chucks is reliably possible from diameter 3 mm.

Collet chucks have a large interference contour due to the clamping nut and the coolant supply is considerably more complicated.

The design offers the possibility to clamp shafts with diameters from 0.2 mm or even tools with internal coolant supply with the advantage of having the interference contour similar to that of a thermal shrinking chuck.

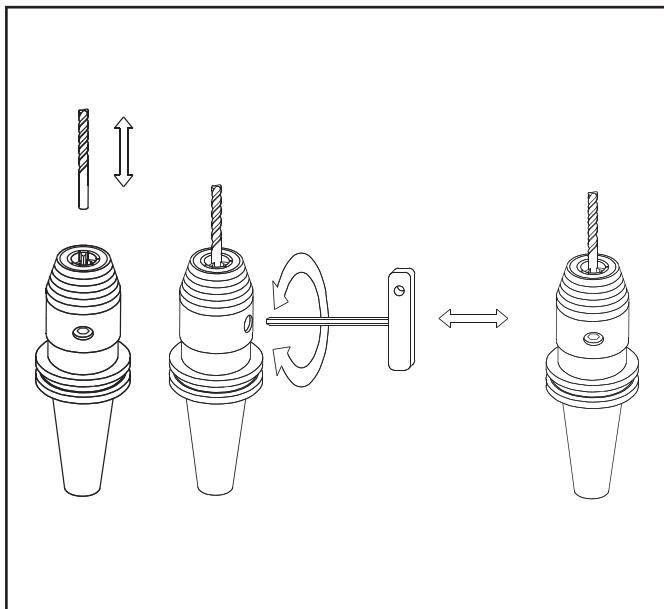
Our micro drill chucks are used in machining processes in branches like medical technologies, clock and watch industries, micro machining and micro electronics because of the easy handling and spindle speeds up to 60.000 min<sup>-1</sup>.

## Advantages of the WTE Micro drill chucks

- Clamping range from Ø 0,2 mm up to 3,4 mm
- Low interference contour
- Easy and fast clamping
- Easy handling
- Available shank types are:  
HSK-A, HSK-E, ISO.  
Cylindrical shank types are also available
- rpm up to 60.000 min<sup>-1</sup>



## Components and operating mode of WTE Micro drill chucks



1. Open the jaw of the drill chuck wide enough to insert the cutting tool.

2. Fit cutting tool to the stud into the micro drill chuck so that the tool shank is fit closely to the whole length of the clamping jaws.

3. Turn the Allen-“T“-Wrench clockwise to clamp the cutting tool using the torque mentioned in the table to clamp the tool properly. Do not use any kind of extensions for clamping. By using a torque higher than mentioned in our table the bevel gear can be damaged. In this case the bevel pinion will be the rated break point to protect the drill chuck against damage.

4. Test the concentricity after clamping and make sure that the tool is clamped safely.

Now the CNC universal drill chuck is ready for work and can be clamped into the machine spindle.

**Note: Do not clamp the tool with tapered shafts.**

## Safe clamping / Maintenance

Our micro drill chucks and all WTE drill chucks as well are clamped by means of an Allen-“T“-Wrench inside of the drill chuck actuating a bevel gear. Turn the Allen-“T“-Wrench counterclockwise to open the drill chuck, clockwise to close it - shown at the bore of the bevel pinion.

A step-by-step guide you can find in the official users manual for each micro drill chuck. Our micro drill chucks are maintenance-free. The drill chucks should be cleaned after use with a clean cloth to prevent corrosion. Before storing the drill chucks please spray oil on the surface to prevent corrosion.

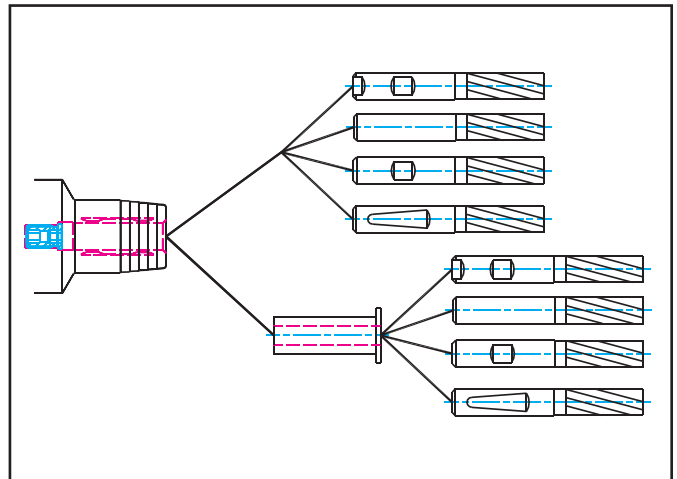
**Note:**

**Do not use compressed air to clean the drill chucks because fine chips could get into the clamping mechanism. Do not use any kind of solvent for cleaning because this could cause corrosion.**



## Technical Ref. No.: WTE Hydraulic chucks

- Material 1600-1800 N/mm<sup>2</sup> tensile strength
- Hardness 52 + 2HRc
- Balanced tool holders
- Laser inscription
- Max. revolution 40.000 rpm (observe the rpm limits of the interface, balancing recommended!)
- Best operating temperature 20-50°C; higher temperatures on request, not higher than 80°C
- Max. coolant pressure 80 bar
- Range of adjustment of length 10 mm
- Usable shafts (tolerance h6) with and without reducing sleeves:
  - DIN 1835 Form A, B, C, D
  - DIN 6535 Form H, HB, HE



## Permitted transferable torques for WTE Hydraulic chucks

### Transferable torques for direct clamping (torque in Nm)

Clamping diameter in mm	6	8	10	12	14	16	18	20	25	32
Shank minimum h6	20	30	47	80	100	160	200	330	400	650
Shank maximum h6	30	45	85	140	160	230	270	400	470	730

### Transferable torques for WTE-Hydraulic chucks, Clamping diameter 32 mm with reduction sleeve (torque in Nm)

Clamping diameter in mm	6	8	10	12	14	16	18	20	25	
Shank minimum h6	30	45	60	120	120	180	220	250	360	
Shank maximum h6	45	65	110	170	170	230	300	320	440	

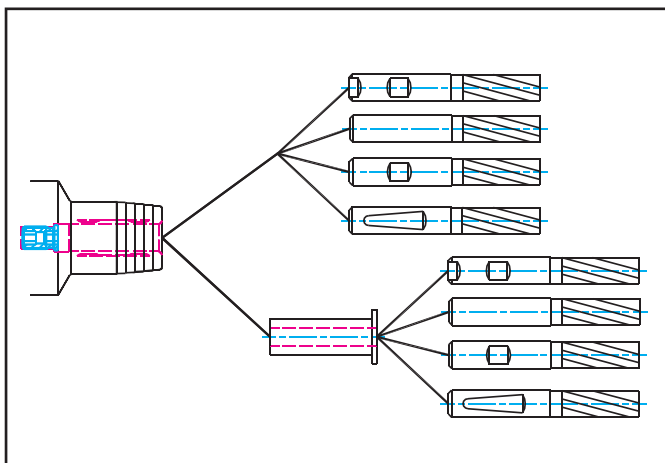
### Transferable torques for WTE-Hydraulic chucks, Clamping diameter 20 mm with reduction sleeve (torque in Nm)

Clamping diameter in mm	3	4	5	6	8	10	12	14	16	
Shank minimum h6	6	9	16	30	55	90	120	135	190	
Shank maximum h6	10	12	22	40	75	120	150	170	260	

### Transferable torques for WTE-Hydraulic chucks, Clamping diameter 12 mm with reduction sleeve (torque in Nm)

Clamping diameter in mm	3	4	5	6	8					
Shank minimum h6	3	4	7	12	18					
Shank maximum h6	4	8	12	20	26					

## Technical Ref. No.: WTE HPH - High Performance Holder



- Material 1600-1800 N/mm<sup>2</sup> tensile strength
- Hardness 52 + 2HRc
- Balanced tool holders
- Laser inscription
- Max. revolution 40.000 rpm (observe the rpm limits of the interface, balancing recommended!)
- Best operating temperature 20-80°C; higher temperatures on request, not higher than 100°C
- Max. coolant pressure 80 bar
- Range of adjustment of length 10 mm
- Usable shafts (tolerance h6) with and without reducing sleeves:
  - DIN 1835 Form A, B, C, D
  - DIN 6535 Form H, HB, HE

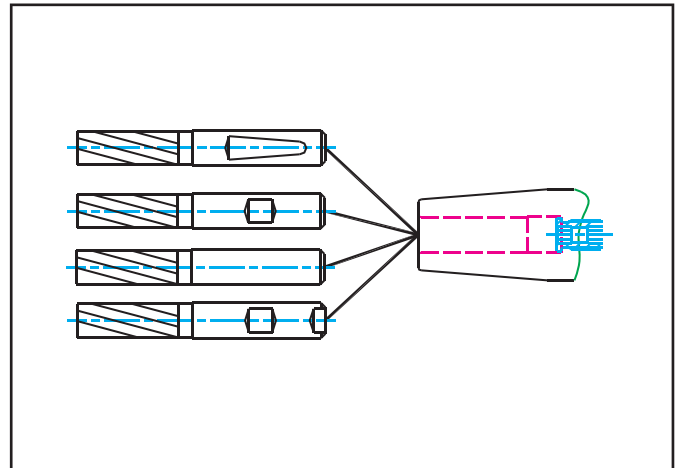
## Permitted transferable torques for HPH - High Performance Holder

**Transferable torques for direct clamping (torque in Nm)**

Clamping diameter in mm	6	8	10	12	14	16	18	20	25	32
Shank minimum h6	30	50	100	150	210	280	360	550	650	800
Shank maximum h6	40	65	135	190	280	380	450	650	750	890

## Technical Ref. No.: WTE Shrink fit chucks

- Material 1600-1800 N/mm<sup>2</sup>
- Hardness 52 + 2HRC
- Balanced tool holders
- Laser inscription incl. serial number and balancing quality
- Maximum revolution 40,000 rpm (observe the rpm limits of the interface, balancing recommended)
- Shrink temperature 100 - 420°C
- Maximum shrink temperature 500°C
- Coolant pressure max. 80 bar
- Adjustment range 10 mm, from both sides adjustable
- Suitable for clamping: Cylindrical shanks, OD tolerance h6
- Shrinking of carbide and HSS tools using appropriate shrink units



## Permitted transferable torques for WTE Shrink fit chucks

**Transferable torques for direct clamping (torque in Nm)**

Clamping diameter	3	4	5	6	8	10	12	14	16	18	20	25	32
Minimum clamping depth	12	16	20	26	26	31	37	37	40	40	42	48	52
Safe transferable torque	4	11	17	24	45	82	145	190	200	290	450	530	700

## Technical Ref. No.: WTE Drill chucks

	Precision micro drill chuck	Drill chucks		
WTE Design	WTE 03	WTE 08	WTE 13	WTE 16
Clamping range	0,2 - 3,4 mm	0,3 - 8,0 mm	0,5 - 13,0 mm	2,5 - 16 mm
Maximum rotation discrepancy	< 0,01 mm <sup>(*)</sup>	< 0,02 mm <sup>(*)</sup>	< 0,02 mm <sup>(*)</sup>	< 0,02 mm <sup>(*)</sup>
Clamping power in relation to rotation discrepancy	1,5 Nm	8 Nm	15 Nm	15 Nm
Transferable torque	4,5 Nm <sup>(**)</sup>	18 Nm <sup>(**)</sup>	40 Nm <sup>(**)</sup>	45 Nm <sup>(**)</sup>
Maximum permitted clamping power	2 Nm	10 Nm	20 Nm	20 Nm
Transferable torque with maximum permitted clamping power	6 Nm <sup>(**)</sup>	30 Nm <sup>(**)</sup>	80 Nm <sup>(**)</sup>	90 Nm <sup>(**)</sup>
Maximum rpm	60.000 min <sup>-1</sup> <sup>(***)</sup>	35.000 min <sup>-1</sup> <sup>(***)</sup>	35.000 min <sup>-1</sup> <sup>(***)</sup>	35.000 min <sup>-1</sup> <sup>(***)</sup>

(\*) Deviation report according to WTE-test-sheet.

(\*\*) All WTE CNC universal drill chucks are clamped by means of an Allen-“T“-Wrench moving a bevel gear through a bore on side of the CNC universal drill chuck (see instruction sheet). A holding torque of 8 Nm resp. 15 Nm at the Allen-“T“-Wrench is adequate to the drill chuck Higher holding torques which can be

reached with CNC universal drill chucks are not necessary for regular use and have to be seen as an additional security.

(\*\*\*) Only valid for WTE CNC universal drill chucks with bases (slip in, as part of the machine) made for rotation use. Unbalanced CNC universal drill chucks are suitable for use up to 7000 rpm. For applications

with a rotation speed between 7000 rpm and 35.000 rpm, e.g. for aluminium or wood working, the WTE CNC universal drill chucks have to be balanced appropriately to the rpm. In case that the maximum rpm has to be exceeded, the working perimeter has to be checked according to the balancing category.

**Notes:**

**Notes:**

# General terms and conditions

for the Sale and Supply of tools, special tools and machines according VDMA and the technical group for precisions tools

## I. OFFER

1. Any and all information pertaining to weights, dimensions, performance and other technical data contained in Supplier's illustrations and drawings shall be deemed to be only approximate unless stipulated as being definitive. The Supplier reserves all rights of title, ownership and copyright to any and all illustrations, sketches, drawings, gauges, samples etc. included with his quotations and deliveries; said items shall not be made available third parties without Supplier's express consent.
2. Purchaser shall be solely responsible for the documentation, plans, samples etc. to be provided by Purchaser. Purchaser shall be responsible for ensuring that design drawings submitted by Purchaser do not infringe upon the industrial property rights of third parties. Supplier shall be under no obligation to Purchaser to review whether any industrial property rights of third parties may be infringed upon through the submittal of quotations. Should liability nevertheless arise, Purchaser shall save and hold Supplier harmless thereof. This will not be valid with intention or culpable negligence of the owner or responsible employee.
3. Samples shall be supplied only against invoice.

## II. DELIVERY SCOPE

1. The written order confirmation of the supplier is authoritative for the delivery scope, in case he has submitted an offer containing a binding time and an acceptance in due time, if no written order confirmation is sent in due time. Alterations and oral agreements have to be confirmed by the supplier in written form.
2. If ordering special tooling the order quantity may be reduced or exceeded by 10% but at least 2 units. The delivered quantity will be charged.

## III. PRICING AND PAYMENT

1. If not specially agreed, the pricing is ex factory, excluding packing, freight and/or postage and transport insurance and value added tax.
2. The prices are charged in Euro.
3. Invoices are payable cash, without any deduction, free WTE, within 14 days from date of invoice with 2% discount, but at least with 30 days net. This is also valid for partial deliveries. Repairs and pay work are payable immediately after receipt of invoice.
4. Packing and despatch will be done to best estimation but without any obligation from our part.
5. The minimum purchase order value is € 20,- net. In case of lower order value we charge a lower quantity surcharge of € 20,-.
6. Price changes are reserved according to alterations of production costs.
7. The right to retain payments or to balance them with counterclaims is entitled to the customer only in this respect that his counterclaims are determined to be undisputed or legally valid.
8. A bill of exchange or cheque will be accepted just for payment, but fees for debit and banking will be charged to Purchaser.
9. For a return caused by the customer (e.g. wrong or double order) we have to charge you with freight costs and an administration expense of 10% of goods value, but at least € 10,-.

## IV. DELIVERY TIMES

1. The delivery time shall commence upon dispatch of order confirmation, however not prior to provision of all documentation, permits, approvals etc. which are to be obtained by Purchaser, and not prior to receipt of any down payment which may have been agreed to.
2. The delivery time shall be deemed to have been maintained, if the item(s) to be delivered has left the plant, or of notification has been made that said item is ready for shipment.
3. Supplier shall not be responsible for delays or defaults in deliveries, if occasioned by decisions of public authorities, or by other causes beyond the reasonable control of Supplier or his suppliers, such as Acts of God, war, insurrection, strikes, lockouts, shortage of coal or raw materials, break downs, transportation difficulties or theft, and Supplier will be released from his liability arising from his failure to deliver within the stipulated period. Supplier will notify Purchaser immediately of such events.
4. In case the dispatch will be delayed upon request of the Purchaser, the Supplier is allowed, after having fixed an appropriate delay and the fruitless ending of the same, to dispose of the matter being delivered and supply the Purchaser with another reasonable delay.
5. Compliance with the delivery term shall presume satisfaction of Purchaser's obligations under the contract.
6. The Purchaser has no claim on compensation for delayed delivery.

## V. PASSING OF RISK AND ACCEPTANCE

1. The risk shall pass to Purchaser not later than upon shipment of the item(s) to be delivered, even in cases of partial delivery if of Supplier shall have assumed such additional performances as, for example, shipping costs or haulage and erection.
2. Should shipment be delayed as a result of circumstances for which Purchaser is responsible, the risk shall pass to Purchaser on the day on which notification is made that the consignment is ready for shipment; however Supplier shall be obligated, at Purchaser's request and expense, to provide such insurance coverage as may be desired by Purchaser.
3. Notwithstanding the rights set forth in section X hereof, delivered items shall be accepted by Purchaser, even in the event that they shall contain insignificant defects.
4. Partial deliveries are allowed.
5. Purchaser shall inform Supplier immediately after acceptance of goods in written form about discrepancies on delivery note or invoice.

## VI. RETENTION OF TITLE AND OWNERSHIP

1. Supplier reserves the right to retain title to and ownership of the item(s) to be delivered until such time as any and all of Supplier's account receivable from Purchaser arising from the business relationship, including future accounts receivable, even those arising from contracts entered into at the same time or subsequently, have been satisfied. Supplier's retention of title and ownership shall also apply in the event that any of all of his accounts receivable have been included in a current account and the balance has been drawn upon and acknowledged.
2. Purchaser shall be entitled to resell the goods subject of Supplier's retention of title and ownership only in the course of his usual and customary business operations. Purchaser now hereby assigns to Supplier Purchaser's accounts receivable for the purchase price of for compensation for work arising from the resale of the goods subject to Supplier's retention of title and ownership in the amount of the value of Supplier's invoices therefor, until such time as Supplier's accounts receivable from Purchaser have been settled. The authorization of the Supplier to draw the claims by himself remains untouched from this, however the Supplier is committed not to draw the claims, as long as the Purchaser does not fail to fulfil his obligations of payment.

The Supplier has the right of:

- being informed by the Purchaser about the ceded claims and their debtors,
- getting all details which are necessary to draw the claims receiving all documents related to the claims.

The Purchaser has to inform the debtors about the cede. If the item(s) being delivered is sold together with other

goods that are not belonging to the Supplier, the claim amount of the purchase against the buyer and corresponding to the agreed delivery price between Supplier and Purchaser is ceded.

3. Supplier hereby agrees to release the collateral to which he is entitled insofar as the value thereof shall exceed the value of the accounts receivable which are to be secured by more than 25% (twentyfive percent).
4. Supplier shall be entitled to insure the consignment on Purchaser's expense against theft, breakage, transport, fire and water damage, or against other insurable hazards, inasmuch as the Purchaser is not in the position to proof that he already has insured the goods by himself
5. The Purchaser has neither the right to put the item(s) being delivered in pawn, nor to transfer it to a third party as collateral. The Purchaser has to inform the Supplier immediately in written form about any distraint or other intervention by a third party.
6. In case the Purchaser presents a bill of exchange for payment regarding the outstanding purchasing price, the reservation of title, including the agreed special forms and other collaterals for payment of the Supplier do not become void, unless the bill of exchange has been cashed by the Purchaser.
7. The request for opening the insolvency procedure entitles the supplier to withdraw from contract and to claim the immediate return of the delivery item.

## VII. LIABILITY FOR DEFECTS OF THE DELIVERY

Notwithstanding the provisions set forth in section IX hereof, Supplier shall be liable as follows for defects, which shall be deemed to include the lack of warranted characteristics, of which we have been notified within the prescribed time:

1. Any and all components which shall prove to be more than insignificantly impaired within 6 (six) months (within 3 (three) months in the case of multipleshift operation) as a result of a circumstance – in particular as a result of a defective design, poor materials or faulty workmanship – which existed prior to the passing of risk shall be repaired or replaced, as the Supplier may reasonably deem fit, free of charge. The Purchaser shall without delay notify the Supplier of any defect which appears. Any and all replaced components shall become the property of the Supplier. The Supplier shall only be liable for defects in materials supplied by Purchaser, if the defect could be discerned under proper employment. Should shipment be delayed without the fault of Supplier, the liability becomes void latest 12 months from date of passing of risk. In the case of significant thirdparts products, the liability of the Supplier shall be limited to assignment of those liability claims which the Supplier enjoys against the vendor of the thirdparty product. In the case of goods manufactured to Purchaser's drawings, the Supplier shall liable only for proper workmanship in compliance with said drawings.
2. The Purchaser's right for warranty claims is limited in any case 6 months from date of notice within the prescribed time, however at the earliest at expiration of period of warranty,
3. No warranty shall be assumed for damages, resulting from the following causes: Unsuitable or improper employment, improper erection, installation and/or commissioning by Purchaser or by third parties, natural war and tear, improper or negligent handling, unsuitable fuels, lubricants etc., chemical, electrochemical or electrical influences, insofar as they shall not have been caused though the Supplier's fault.
4. Purchaser shall, after agreement has been reached with Supplier, provide the necessary time and opportunity to perform any and all repair and replacement work which the Supplier may reasonably deem to be necessary; otherwise the Supplier shall be released from his liability to rectify defects. Only in urgent cases or risks to the safety and dependability of operations or to prevent unreasonably great damage, of which the Supplier shall be notified immediately, if of the Supplier falls behind with the rectification of the defect, shall Purchaser be entitled to rectify the defect himself or to have the defect rectified by a third party and to demand indemnification by the Supplier for the costs arising therefrom.
5. The direct costs for repair or replacement, including fees of transport shall be borne by the Supplier - insofar the claim is justified - all other costs will be borne by the Purchaser.
6. The duration of warranty for repair or replacement is 3 (three) months, however at least until the expiry of the initial period of warranty for the part(s) being delivered.
7. The Supplier shall be released from his warranty obligation, if repairs, damages or modifications which relate to the defect as-settled shall be made by Purchaser or third parties without the Supplier's consent.
8. Further claims of the Purchaser, insofar claims for indemnification for damage other than damage to the part(s) being delivered, are excluded. This exclusion of liability is not valid in cases of gross negligence or willful intent on the part of the owner or his executive. Furthermore, the exclusion shall not be valid in cases the law of product liability for defects part(s) being delivered comes into force for injury to persons or damage to property on privately used objects. The exclusion of liability is also not valid if liability for lack of warranted characteristics is mandatory, insofar the aim of assurance was to protect the Purchaser against damage other than damage to the part(s) being delivered.

## VIII. SPECIAL CONDITIONS FOR LABOUR CONTRACTS (COMPLETION, REFURBISH, MODIFICATION OR THE REPROCESSING OF TOOLS)

Additionally or unlike to the above Conditions of Sale and Delivery the following will be applied for that kind of Labour Contract:

1. Invoices are to be paid immediately, net without any deduction.
2. The processing company shall not be liable for the behaviour of the materials supplied. This pertains in no way the right of compensation. The processing company shall not be compensated as well as the Purchaser will not be entitled to claim if the material becomes of no use due to the fault of the processing company. This exclusion of liability is not valid in cases of gross negligence or willful intent on the part of the owner or his executive.

## IX. OTHER LIABILITY

Insofar as the Supplier shall be liable, regardless of the legal grounds therefor, said liability shall be limited to not more than 5% (five percent) of the value of the respective part(s) or service(s) provided. This limitation of liability is not valid in cases of gross negligence or willful intent on the part of the owner or his executive. Furthermore, the limitation shall not be valid in cases the law of product liability for defects part(s) being delivered comes into force for injury to persons or damage to property on privately used objects.

## X. PLACE AND PERFORMANCE OF VENUE

1. Place of performance and payment as well as settlements of legal disputes is Annaberg-Buchholz.
2. Any and all disputes arising from the contractual relationship, incl. disputes of bill of exchange, shall be brought before the court having jurisdiction for the Supplier.

## XI. CONTRACTUAL BINDINGS

1. Should any provision of Purchaser's Terms and Conditions of Sale and Supply being contradictory to these conditions, the Supplier shall consider them as without obligation, even without having particularly expressed a contradiction.
2. Should any provision of these General Terms and Conditions of Sale and Supply become void or voidable by a different provision given in offer or order confirmation, the validity of the remaining provisions thereof shall remain unaffected thereby. The laws of the Federal Republic of Germany (FRG) shall be applied.





3 good reasons for more success.

### ► 1. Quality and precision „Made in Germany“

We are convinced that quality and precision requirements at the level demanded by the automotive and aerospace industry can only be achieved at an economical price-performance ratio by products and services that are developed, planned, designed and manufactured in Germany. Highly developed production methods, the latest produc-

tion plants and infrastructure as well as the best working conditions for qualified, committed employees make possible a very high quality standard and unlock precision in the  $\mu$  range.

Our partner have active quality management systems and are certified in accordance with ISO 9001.

### ► 2. Worldwide leading competence

The partners in “tool-traders-partner.com” are technology leaders and as brands enjoy a high level of international recognition and an excellent image. They have excellent specialists with decades of experience

and collective specialist knowledge. They stand for continuity and innovation.

For the user this means always being one step ahead with the latest tool technology.

### ► 3. Optimal advice and assistance

A comprehensive range of stock products, efficient logistics, and the high flexibility of the partners ensure that the products are available quickly to suit the needs of the trade. The training of the sales staff orientated on the trade, the competent support

provided by application engineers, specific training courses as well as a comprehensive information system combine to provide a level of support that ensures our trade partners have a lead due to more competence and better service.

The trade partners in the association tool-traders-partner.com



August Beck GmbH & Co. KG in Winterlingen



MILLER GmbH, Präzisionswerkzeuge in Altenstadt



WTE Präzisionstechnik GmbH in Kempten

#### ► 100 years of experience

The competence and experience from more than 100 years make BECK a dependable partner in demand for bore machining.

The comprehensive standard program includes reaming and countersinking tools and covers the complete cutting material spectrum from HSS to PCD and PCBN.

This program is supplemented by high performance reamers and custom tools that offer users that crucial performance plus.

#### ► Standard re-defined

The product range from MILLER includes a comprehensive standard program of stock precision tools for drilling, milling and countersinking made of solid carbide.

In 2008 a considerable investment made it possible to set-up one of the largest and most modern solid carbide tool factories in Europe. The production area was more than doubled, in addition a highly modern logistics centre was established. This expansion is safeguarding the high quality standard of MILLER products and increasing availability.

#### ► The innovation leader

As a technology-orientated, international business, WTE develops and produces innovative machining technology.

Its core competences are in precision drill chuck systems, in the hydraulic chucking sector and in shrinking technology. In the area of precision drill chucks WTE has achieved market leadership in Europe.

Precision and quality paired with a high level of competence in service make WTE a dependable partner.

**WTE Präzisionstechnik GmbH:**  
**The specialist for high accuracy**  
**chucks.**

- ▶ Hydraulic chucks
- ▶ HPH - High Performance Holder
- ▶ Shrink fit chucks
- ▶ CNC universal drill chucks
- ▶ NC standard drill chucks
- ▶ Precision micro drill chucks



For further questions, please  
contact our sales team.  
Phone 00 49 (0) 831 570120



WTE Präzisionstechnik GmbH  
Fischerstr. 19 / Zwingerstraße  
D-87435 Kempten

Tel.: + 49 (0) 8 31-5 70 12-0  
Fax: + 49 (0) 8 31-5 70 12-30  
info@wte-tools.de  
www.wte-tools.de